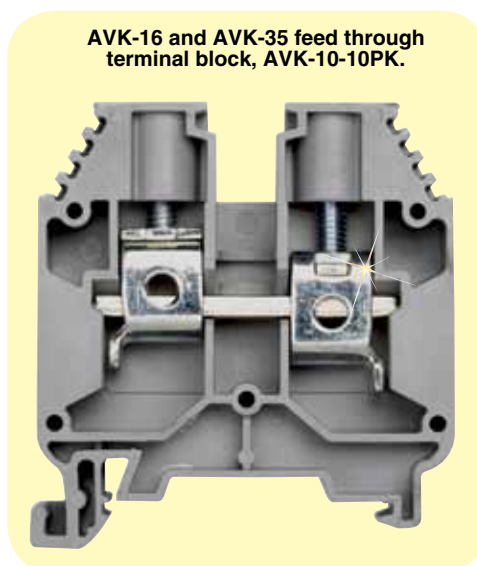


FEED THROUGH TERMINAL BLOCKS

AVK Series



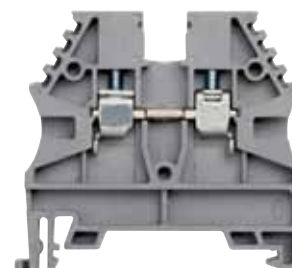
- Screw Connection
- Vibration Resistant, Maintenance Free Connection
- Self-Locking Zinc Plated Wire Clamps
- 600V Rated, UL 94 V2 Polyamide 6.6 Housing
- Full Line of Accessories—End Plates, Cross Connectors and Marking Tags
- Stock Colors in Grey, Blue and Red
- Also Available in Yellow, Beige and Green



AVK-16 and AVK-35 feed through terminal block, AVK-10-10PK.

All models shown smaller than actual size.

AVK Series feed through terminal blocks are screw connection style with vibration resistant wire clamps and are DIN rail mounted. The AVK terminal blocks come in all wire ranges and no pre-treatment of the wire is necessary, even for stranded wire. A full line of accessories are available including end plates, end brackets, cross connectors and marking tags. The AVK series also includes 3 size grounding terminal blocks.



AVK-2.5 to AVK-10 feed through terminal block, AVK-2.5-50PK.



AVK-70 feed through terminal block.



AVK-2.5/4T-10PK ground terminal block.

SPECIFICATIONS

ELECTRICAL RATINGS	AVK-2.5	AVK-4	AVK-6	AVK-10	AVK-16	AVK-35	AVK-70
Voltage/Current	750V/26 A	750V/34 A	750V/44 A	750V/61 A	750V/82 A	750V/135 A	750V/192 A
VDE (IEC 60947-7-1)	750V/24 A	750V/32 A	630V/41 A	630V/57 A	750V/76 A	750V/125 A	
UL/CSA	600V/20 A	600V/30 A	600V/50 A	600V/65 A	600V/85 A	600V/115 A	600V/175 A
ATEX	630V/21 A	400V/28 A	630V/36 A	500V/50 A	630V/66 A	630V/109 A	1000V/167 A
Insulation Strip Length	10 mm	10 mm	12 mm	12 mm	16 mm	18 mm	20 mm
AWG	26-12	26-10	26-8	16-6	14-4	8-1	6-2/0
Width	5 mm	6 mm	8 mm	10 mm	12 mm	16 mm	22 mm
End Plate-Partition	AVK-EP-210	AVK-EP-210	AVK-EP-210	AVK-EP-210	AVK-EP-16	Included	Included
Cross-Connectors/2	OM-474122	OM-474132	OM-474142	OM-474152	OM-474162	OM-474172	—
Cross-Connectors/3	OM-474123	OM-474133	OM-474143	OM-474153	OM-474163	OM-474173	—
Cross-Connectors/4	OM-474124	OM-474134	OM-474144	OM-474154	OM-474164	OM-474174	—
Cross-Connectors/10	OM-474129	OM-474139	OM-474149	OM-474159	OM-474169	OM-474179	—

GROUNDING TERMINAL BLOCKS	AVK-2.5/4T	AVK-6/10T	AVK-16/35T
Insulation Strip Length	10 mm	12 mm	18 mm
AWG	26-10	16-8	10-2
Width	6 mm	10 mm	16 mm
End Plate-Partition	Included	Included	Included

OM-474123-10PK, 3 piece cross connector.

Shown larger than actual size.



To Order Visit omega.com/avk for Pricing and Details

MODEL NO.	AMPS	AWG	MODEL NO.	AMPS	AWG
AVK-2.5-100PK	20	26-12	AVK-10-10PK	65	16-6
AVK-2.5-50PK	20	26-12	AVK-16-25PK	85	12-4
AVK-4-100PK	30	26-10	AVK-16-10PK	85	12-4
AVK-4-50PK	30	26-10	AVK-35-25PK	115	10-2
AVK-6-50PK	50	26-8	AVK-35-10PK	115	10-2
AVK-10-50PK	65	16-6	AVK-70	175	6-2/0

Note: Standard color is grey, for other colored terminal blocks add suffix “-R” for red, “-B” for blue, “-Y” for yellow, “-G” for green and “-BE” for beige, no additional cost.

GROUNDING TERMINAL BLOCKS

MODEL NO.	AWG	MODEL NO.	AWG
AVK-2.5/4T-10PK	26-10	AVK-6/10T-25PK	16-8
AVK-2.5/4T-50PK	26-10	AVK-16/35T	10-2
AVK-6/10T-10PK	16-8	AVK-16/35T-25PK	10-2

ACCESSORIES

MODEL NO.	DESCRIPTION
AVK-EP-210-10PK	End plate-partition for AVK-2.5 thru AVK-10, 10 pkg
AVK-EP-16-10PK	End plate-partition for AVK-16, 10 pkg
T-BLK-EB-10PK	DIN rail end bracket, 10 pcs per pkg

CROSS-CONNECTORS

MODEL NO.	PCS/PKG	POSITIONS	MODEL NO.	PCS/PKG	POSITIONS
OM-474122-10PK	10	2	OM-474152-10PK	10	2
OM-474123-10PK	10	3	OM-474153-10PK	10	3
OM-474124-10PK	10	4	OM-474154-10PK	10	4
OM-474129-3PK	3	10	OM-474159-3PK	3	10
OM-474132-10PK	10	2	OM-474162-10PK	10	2
OM-474133-10PK	10	3	OM-474163-10PK	10	3
OM-474134-10PK	10	4	OM-474164-10PK	10	4
OM-474139-3PK	3	10	OM-474169-3PK	3	10
OM-474142-10PK	10	2	OM-474172-10PK	10	2
OM-474143-10PK	10	3	OM-474173-10PK	10	3
OM-474144-10PK	10	4	OM-474174-10PK	10	4
OM-474149-3PK	3	10	OM-474179-3PK	3	10

MARKING TAGS - 50 PER CARD

DESCRIPTION

MKR-NO-PRINT	Marking tag without print
MKR-1-10	Marking tag 1 to 10
MKR-11-20	Marking tag 11 to 20
MKR-1-50	Marking tag 1 to 50
MKR-51-100	Marking tag 51 to 100
MKR-101-150	Marking tag 101 to 150
MKR-151-200	Marking tag 151 to 200
MKR-201-250	Marking tag 201 to 250

Ordering Examples: AVK-2.5-100PK, package of 100 feed through terminal blocks for 26-12 AWG rated at 20 A, AVK-EP-210-10PK, package of 10 end plates for AVK-2.5 through AVK-10, and OM-474123-10PK, package of 10 three-position cross connectors.

AVK-35-10PK, package of 10 feed through terminal blocks for 10-2 AWG rated at 115 A, MKR-1-10, 1 card of 50 marker tags printed with numbers 1 to 10.

omega.co.uk[®]

Your One-Stop Source for Process Measurement and Control!

Freephone 0800 488 488 | International +44(0) 161 777 6622 | Fax +44(0) 161 777 6622 | Sales@omega.co.uk

www.omega.co.uk



UNITED STATES

www.omega.com

1-800-TC-OMEGA
Stamford, CT.

UNITED KINGDOM

www.omega.co.uk

Manchester, England
0800-488-488
+44-(0)161-777-6611

CANADA

www.omega.ca

Laval(Quebec)
1-800-TC-OMEGA

FRANCE

www.omega.fr

0800-466-342

GERMANY

www.omega.de

Deckenfronn, Germany
0800-8266342

BENELUX

www.omega.nl

0800-099-33-44



More than 100,000 Products Available!

• Temperature

Calibrators, Connectors, General Test and Measurement Instruments, Handheld Instruments for Temperature Measurement, Ice Point References, Indicating Labels, Crayons, Cements and Lacquers, Infrared Temperature Measurement Instruments, Recorders, Relative Humidity Measurement Instruments, PT100 Probes, PT100 Elements, Temperature & Process Meters, Timers and Counters, Temperature and Process Controllers and Power Switching Devices, Thermistor Elements, Probes and Assemblies, Thermocouples, Thermowells and Head and Well Assemblies, Transmitters, Thermocouple Wire, RTD Probes

• Flow and Level

Air Velocity Indicators, Doppler Flowmeters, Level Measurement, Magnetic Flowmeters, Mass Flowmeters, Pitot Tubes, Pumps, Rotameters, Turbine and Paddle Wheel Flowmeters, Ultrasonic Flowmeters, Valves, Variable Area Flowmeters, Vortex Shedding Flowmeters

• pH and Conductivity

Conductivity Instrumentation, Dissolved Oxygen Instrumentation, Environmental Instrumentation, pH Electrodes and Instruments, Water and Soil Analysis Instrumentation

• Data Acquisition

Communication Products and Converters, Data Acquisition and Analysis Software, Data Loggers Plug-in Cards, Signal Conditioners, USB, RS232, RS485, Ethernet and Parallel Port Data Acquisition Systems, Wireless Transmitters and Receivers

• Pressure, Strain and Force

Displacement Transducers, Dynamic Measurement Force Sensors, Instrumentation for Pressure and Strain Measurements, Load Cells, Pressure Gauges, Pressure Reference Section, Pressure Switches, Pressure Transducers, Proximity Transducers, Regulators, Pressure Transmitters, Strain Gauges, Torque Transducers, Valves

• Heaters

Band Heaters, Cartridge Heaters, Circulation Heaters, Comfort Heaters, Controllers, Meters and Switching Devices, Flexible Heaters, General Test and Measurement Instruments, Heater Hook-up Wire, Heating Cable Systems, Immersion Heaters, Process Air and Duct, Heaters, Radiant Heaters, Strip Heaters, Tubular Heaters