



# COMPACT PREWIRED LIMIT SWITCHES

E47 Series  
Starts at  
**£41.50**



- Rugged Aluminium Alloy Die Cast Housing
- Sealed Construction With Enclosure Ratings of IP67, NEMA 4, 6 and 13
- Prewired With 3 m of 18 AWG, AWM 2517, 300V Cable
- Stackable Ridge for Ganged Operation

The E47 Compact Prewired Limit Switch is designed to be a versatile, slim device for hard to fit applications where sealing integrity is required. The rugged die cast aluminium alloy housing, cable connection and switch mechanism are encapsulated for protection against extreme temperature (-10 to 70°C), contaminants, moisture, shock and vibration. This factory wired (3 m) device has an IP67, NEMA enclosure rating, making it suitable for applications such as machine tool, food processing and packaging.

## SPECIFICATIONS

**Contacts** 1-SPDT (Form C)

**Mechanical Life:** 10,000,000 operations

**Electrical Life:** 200,000 operations, 30 operation/min at rated load

**Operating Speed:** 30 operations per minute maximum

**Operating Temperature Range:** 10 to 70°C

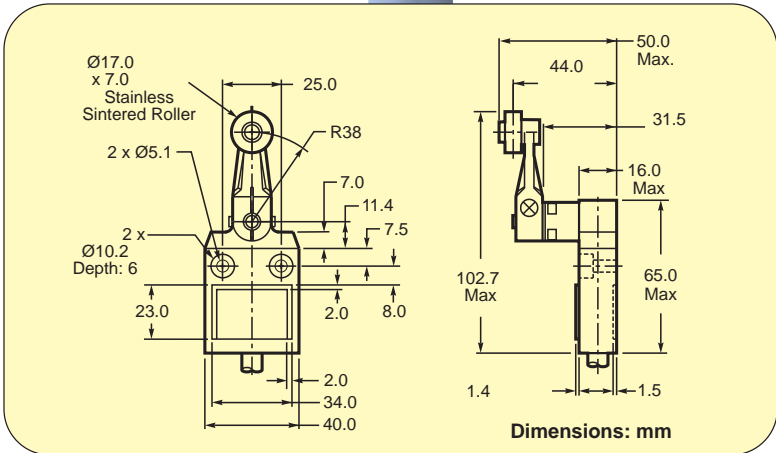
**Storage Temperature Range:** 10 to 70°C

**Humidity:** 95% maximum non-condensing

**Vibration:** Malfunction durability, 10 to 55 Hz 1.5 mm double amplitude

**Shock:** Malfunction durability, approximately 50 g

**Enclosure Ratings:** IP67, NEMA 4, 6 and 13





**SPECIFICATIONS — MAXIMUM AMPERE RATING**

VOLTAGE	NON-INDUCTIVE LOAD (A)		INDUCTIVE LOAD (A)				INRUSH CURRENT (A)	
	RESISTIVE		INDUCTIVE		MOTOR		NC	NO
	NC	NO	NC	NO	NC	NO		
125 Vac	5.0	5.0	3.0	3.0	2.5	1.3	20 max	10 max
250 Vac	5.0	5.0	2.0	2.0	1.5	0.8		
8 Vdc	5.0	5.0	5.0	4.0	1.5	1.5		
14 Vdc	5.0	5.0	4.0	4.0	1.5	1.5		
30 Vdc	4.0	4.0	3.0	3.0	1.5	1.5		
125 Vdc	0.4	0.4	0.4	0.4	0.05	0.05		
250 Vdc	0.2	0.2	0.2	0.2	0.03	0.03		

**NOTE:** Inductive load ratings are tested at a power factor 0.4 min for AC power and a time constant of 7 mS max for DC power. Inrush current for motor load is 6 times the steady state current.

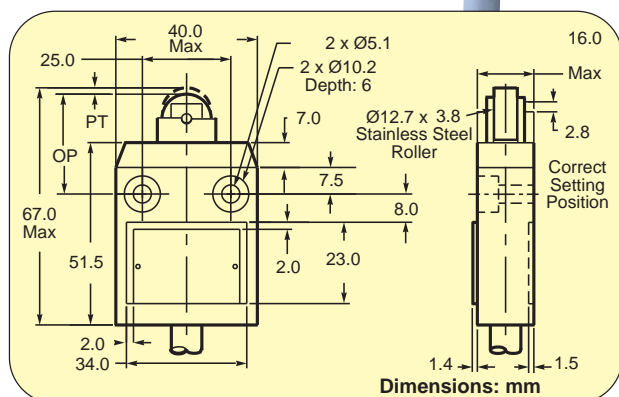
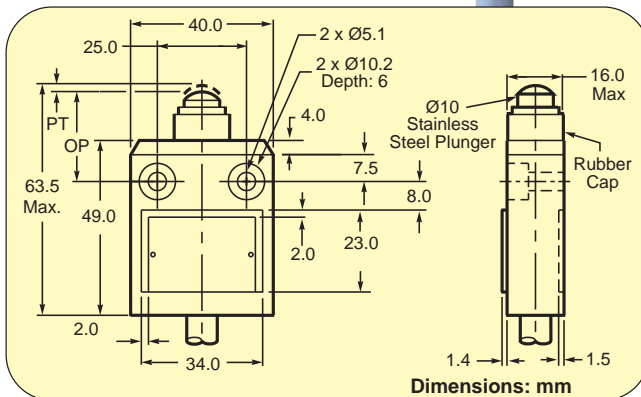
MODEL NO.	ACTUATOR TYPE	OPERATING FORCE (MAXIMUM)	RESET FORCE (MINIMUM)	OVERTRAVEL (MINIMUM)	PRETRAVEL	MOVEMENT DIFFERENTIAL	OPERATING POSITION
E47BCC06	Sealed Plunger	1.8 kg	450 g	3 mm	1.8 mm	0.2 mm	24.9 ± 1 mm
E47BCC07	Roller Plunger	1.2 kg	450 g	3 mm	1.8 mm	0.2 mm	28.5 ± 1 mm
E47BCC15	Roller Lever	580 g	150 g	40°	25° max	3°	—



E47BCC06, £43



E47BCC07, £41.50



**To Order** (Specify Model Number)

**ALL MODELS AVAILABLE FOR FAST DELIVERY!**

MODEL NO.	PRICE	DESCRIPTION
E47BCC06	£43.00	Pre-assembled, prewired, 1 NO/1 NC, sealed plunger
E47BCC07	41.50	Pre-assembled, prewired, 1 NO/1 N C, roller plunger
E47BCC15	52.00	Pre-assembled, prewired, 1 NO/1 N C, side-rotary lever

Comes with instruction sheet.

**Ordering Example:** E47BCC06, prewired, normally open/normally closed, sealed plunger limit switch, £43.



#### UNITED STATES

[www.omega.com](http://www.omega.com)

1-800-TC-OMEGA

Stamford, CT.

#### CANADA

[www.omega.ca](http://www.omega.ca)

Laval(Quebec)

1-800-TC-OMEGA

#### GERMANY

[www.omega.de](http://www.omega.de)

Deckenpfronn, Germany

0800-8266342

#### UNITED KINGDOM

[www.omega.co.uk](http://www.omega.co.uk)

Manchester, England

0800-488-488

#### FRANCE

[www.omega.fr](http://www.omega.fr)

088-466-342

#### CZECH REPUBLIC

[www.omegaeng.cz](http://www.omegaeng.cz)

Karviná, Czech Republic

596-311-899

#### BENELUX

[www.omega.nl](http://www.omega.nl)

0800-099-33-44



## More than 100,000 Products Available!

### • Temperature

Calibrators, Connectors, General Test and Measurement Instruments, Handheld Instruments for Temperature Measurement, Ice Point References, Indicating Labels, Crayons, Cements and Lacquers, Infrared Temperature Measurement Instruments, Recorders, Relative Humidity Measurement Instruments, PT100 Probes, PT100 Elements, Temperature & Process Meters, Timers and Counters, Temperature and Process Controllers and Power Switching Devices, Thermistor Elements, Probes and Assemblies, Thermocouples, Thermowells and Head and Well Assemblies, Transmitters, Thermocouple Wire, RTD Probes

### • Flow and Level

Air Velocity Indicators, Doppler Flowmeters, Level Measurement, Magnetic Flowmeters, Mass Flowmeters, Pitot Tubes, Pumps, Rotameters, Turbine and Paddle Wheel Flowmeters, Ultrasonic Flowmeters, Valves, Variable Area Flowmeters, Vortex Shedding Flowmeters

### • pH and Conductivity

Conductivity Instrumentation, Dissolved Oxygen Instrumentation, Environmental Instrumentation, pH Electrodes and Instruments, Water and Soil Analysis Instrumentation

### • Data Acquisition

Auto-Dialers and Alarm Monitoring Systems, Communication Products and Converters, Data Acquisition and Analysis Software, Data Loggers Plug-in Cards, Signal Conditioners, USB, RS232, RS485 and Parallel Port Data Acquisition Systems, Wireless Transmitters and Receivers

### • Pressure, Strain and Force

Displacement Transducers, Dynamic Measurement Force Sensors, Instrumentation for Pressure and Strain Measurements, Load Cells, Pressure Gauges, Pressure Reference Section, Pressure Switches, Pressure Transducers, Proximity Transducers, Regulators, Pressure Transmitters, Strain Gauges, Torque Transducers, Valves

### • Heaters

Band Heaters, Cartridge Heaters, Circulation Heaters, Comfort Heaters, Controllers, Meters and Switching Devices, Flexible Heaters, General Test and Measurement Instruments, Heater Hook-up Wire, Heating Cable Systems, Immersion Heaters, Process Air and Duct, Heaters, Radiant Heaters, Strip Heaters, Tubular Heaters