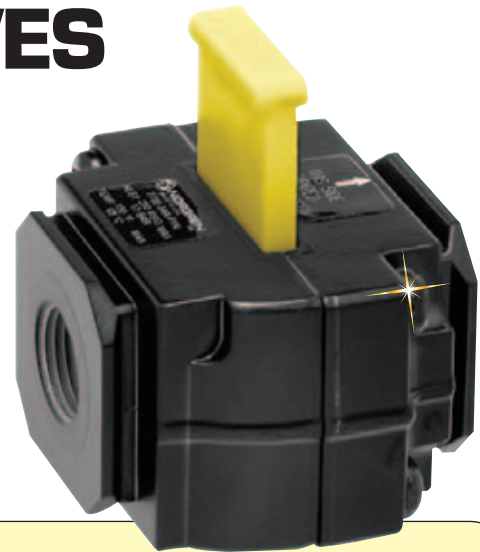




NORGREN EXCELON® LOCKOUT VALVES

**T72T Series
Starts at
\$31**



T72T-2AA-P1N, \$33, shown smaller than actual size.

- In-Line or Modular Installation
- Valves can be Locked in the Closed Position Only
- Excelon® 3-Port/2-Position Lockout Valves Help Conform to OSHA Lockout Regulations in USA Market

SPECIFICATIONS

Fluid: Compressed air

Maximum Pressure: 17 bar (250 psig)

Operating temperature*: -34 to 65°C (-30 to 150°F)

CV Factor from IN to OUT Ports:

1/4" Ports: 4.0

3/8" Ports: 8.0

1/2" Ports: 8.1

3/4" Ports: 7.7

CV Factor from OUT to Exhaust Ports on 3-Port/2-Position Valves: 0.2

Exhaust Port Threads on T72T and T73T Models: 10-32

Exhaust Port Threads on T74T Models:

1/2 PTF with PTF main ports, 1/8" ISO Rc with ISO G and ISO Rc main ports

Hole Diameter in Slide for Padlock 72 and 73: 8 mm (5/16")

Hole Diameter in Slide for Padlock: 7.5 mm (0.29")

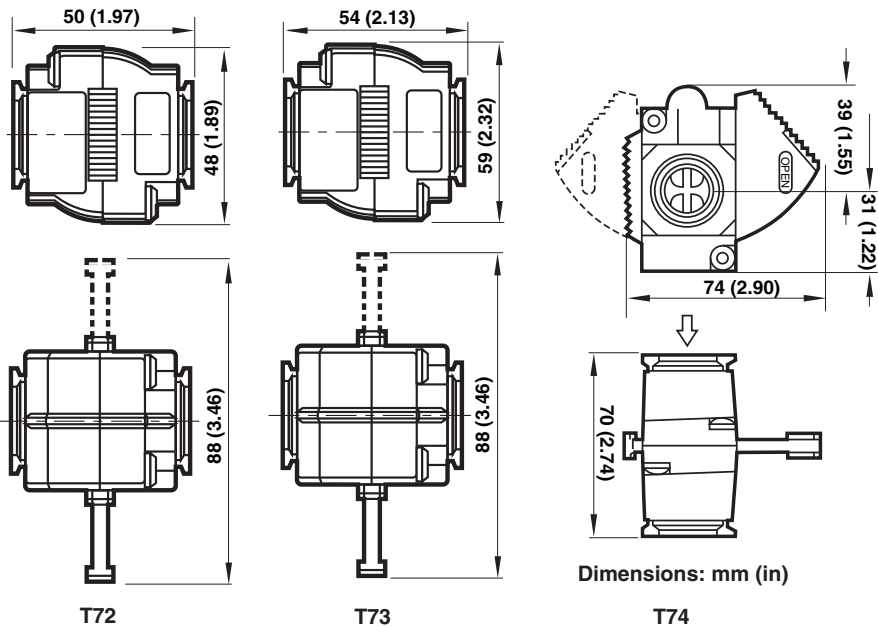
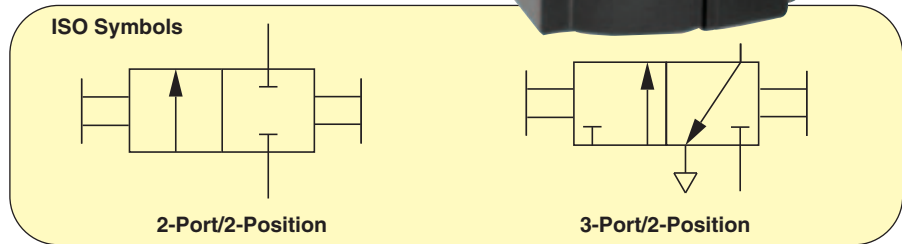
MATERIALS

Body: Zinc

Slide: Acetal plastic

Elastomers: Nitrile

* Air supply must be dry enough to avoid ice formation at temperatures below 2°C (35°F).



To Order (Specify Model Number)

MOST POPULAR MODELS HIGHLIGHTED!

MODEL NO.	PRICE	PORT SIZE (in)	CONFIGURATION	WEIGHT kg (lb)
T72T-2AA-P1N	\$33	1/4	3-port/2-position threaded exhaust port	0.79 (0.36)
T72T-3AA-P1N	31	3/8	3-port/2-position threaded exhaust port	0.86 (0.39)
T73T-2AA-P1N	33	1/4	3-port/2-position threaded exhaust port	0.7 (0.3)
T73T-3AA-P1N	37	3/8	3-port/2-position threaded exhaust port	0.7 (0.3)
T73T-4AA-P1N	35	1/2	3-port/2-position threaded exhaust port	0.7 (0.3)
T74T-3AA-P1N	43	3/8	3-port/2-position threaded exhaust port	0.68 (0.32)
T74T-4AA-P1N	47	1/2	3-port/2-position threaded exhaust port	0.65 (0.30)

Notes: All of the above are with PTF threads.

Ordering Example: T72T-2AA-P1N, lockout valve, 1/4" PTF ports, 3-port/2-position valve with #10-32 threaded exhaust port, \$33.

T73T-3AA-P1N, lockout valve, 3/8" PTF ports, 3-port/2-position valve with #10-32 threaded exhaust port, \$37.

omega.co.uk[®]

Your One-Stop Source for Process Measurement and Control!

Freephone 0800 488 488 | International +44(0) 161 777 6622 | Fax +44(0) 161 777 6622 | Sales@omega.co.uk

www.omega.co.uk



UNITED STATES

www.omega.com

1-800-TC-OMEGA
Stamford, CT.

CANADA

www.omega.ca

Laval(Quebec)
1-800-TC-OMEGA

GERMANY

www.omega.de

Deckenfronn, Germany
0800-8266342

UNITED KINGDOM

www.omega.co.uk

Manchester, England
0800-488-488
+44-(0)161-777-6611

FRANCE

www.omega.fr

0800-466-342

BENELUX

www.omega.nl

0800-099-33-44



More than 100,000 Products Available!

• Temperature

Calibrators, Connectors, General Test and Measurement Instruments, Handheld Instruments for Temperature Measurement, Ice Point References, Indicating Labels, Crayons, Cements and Lacquers, Infrared Temperature Measurement Instruments, Recorders, Relative Humidity Measurement Instruments, PT100 Probes, PT100 Elements, Temperature & Process Meters, Timers and Counters, Temperature and Process Controllers and Power Switching Devices, Thermistor Elements, Probes and Assemblies, Thermocouples, Thermowells and Head and Well Assemblies, Transmitters, Thermocouple Wire, RTD Probes

• Flow and Level

Air Velocity Indicators, Doppler Flowmeters, Level Measurement, Magnetic Flowmeters, Mass Flowmeters, Pitot Tubes, Pumps, Rotameters, Turbine and Paddle Wheel Flowmeters, Ultrasonic Flowmeters, Valves, Variable Area Flowmeters, Vortex Shedding Flowmeters

• pH and Conductivity

Conductivity Instrumentation, Dissolved Oxygen Instrumentation, Environmental Instrumentation, pH Electrodes and Instruments, Water and Soil Analysis Instrumentation

• Data Acquisition

Communication Products and Converters, Data Acquisition and Analysis Software, Data Loggers Plug-in Cards, Signal Conditioners, USB, RS232, RS485, Ethernet and Parallel Port Data Acquisition Systems, Wireless Transmitters and Receivers

• Pressure, Strain and Force

Displacement Transducers, Dynamic Measurement Force Sensors, Instrumentation for Pressure and Strain Measurements, Load Cells, Pressure Gauges, Pressure Reference Section, Pressure Switches, Pressure Transducers, Proximity Transducers, Regulators, Pressure Transmitters, Strain Gauges, Torque Transducers, Valves

• Heaters

Band Heaters, Cartridge Heaters, Circulation Heaters, Comfort Heaters, Controllers, Meters and Switching Devices, Flexible Heaters, General Test and Measurement Instruments, Heater Hook-up Wire, Heating Cable Systems, Immersion Heaters, Process Air and Duct, Heaters, Radiant Heaters, Strip Heaters, Tubular Heaters