

ROTAMETERS FOR CORROSIVE APPLICATIONS

CAPACITIES: 0.011 to 8 GPH of Water, 0.13 to 44 SCFH of Air

B

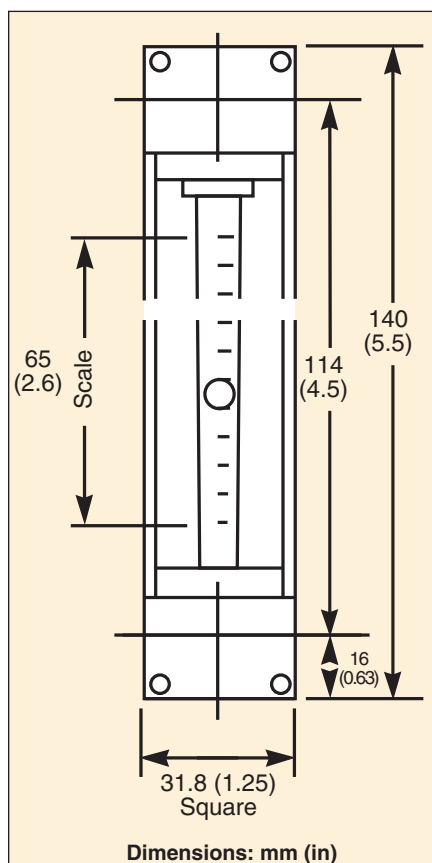
FL-1700 Series

\$154

All Models



- ✓ ±10% Full Scale Accuracy
- ✓ ±0.5% Full Scale Repeatability
- ✓ Compact 65 mm (2.6") Scale
- ✓ Direct Reading Scales for Air and Water
- ✓ PVDF and Glass Wetted Parts
- ✓ Machined End Fittings
- ✓ Side Plate Construction
- ✓ Non-Rotating Seal Spindle



FL-1705-V, \$172, rotameter with optional 316 SS control valve, shown actual size.

The OMEGA® FL-1700 and FL-1800 glass tube rotameters are similar in design to the FL-1300 and FL-1400 series units shown in this section, except that these units are designed for use with corrosive fluids. Fluid contact is limited to the glass tube and float, PVDF end fittings, FKM O-Rings and tube packing, and the PTFE float stops. No stainless steel wetted parts are employed.

These units are also available with an optional integral needle control valve (Note: the valve has 316 SS wetted parts). Also available, FL-1900 series rotameters offer stainless steel construction with a 65 mm (2.6") flow tube at an economical price. See page B-23 for specifications.

SPECIFICATIONS

Scales: 65 mm (2.6"), direct reading for air and water

Accuracy: ±10% full scale

Repeatability: ±0.5% full scale

Connections: ¼ NPT, female horizontal

Metering Tubes: Borosilicate glass

Floats: Glass

End Fittings,
Seal Spindle: PVDF
Side Plates: Aluminum
Float Stops: PTFE
Tube Packing: FKM
O-Rings: FKM
Max Pressure:
 10.34 bar (150 psig)
 at 38°C (100°F)

MOST POPULAR MODELS HIGHLIGHTED!

To Order (Specify Model Number)					
Air Model No.	Price	Air Range	Water Model No.	Price	Water Range
FL-1701	\$154	0.01 to 0.13 SCFH	FL-1711	\$154	0.001 to 0.011 GPH
FL-1702	154	0.02 to 0.15 SCFH	FL-1712	154	0.001 to 0.013 GPH
FL-1703	154	0.09 to 0.95 SCFH	FL-1713	154	0.011 to 0.11 GPH
FL-1704	154	0.38 to 3.8 SCFH	FL-1714	154	0.065 to 0.65 GPH
FL-1705	154	1.3 to 13 SCFH	FL-1715	154	0.24 to 2.4 GPH
FL-1706	154	4.4 to 44 SCFH	FL-1716	154	0.8 to 8 GPH
FW-315	148	Reference Book: Corrosion: Understanding the Basics			

Comes complete with operator's manual.

For units with 316 SS control valve, add suffix "-V" to model number and \$18 to price.

Ordering Examples: FL1703-V, air rotameter with 316 SS control valve, \$154 + 18 = \$172.

FL-1715-V, water rotameter with 316 SS control valve, \$154 + 18 = \$172.

omega.co.uk[®]

Your One-Stop Source for Process Measurement and Control!

Freephone 0800 488 488 | International +44(0) 161 777 6622 | Fax +44(0) 161 777 6622 | Sales@omega.co.uk

www.omega.co.uk



UNITED STATES

www.omega.com

1-800-TC-OMEGA
Stamford, CT.

CANADA

www.omega.ca

Laval(Quebec)
1-800-TC-OMEGA

GERMANY

www.omega.de

Deckenfronn, Germany
0800-8266342

UNITED KINGDOM

www.omega.co.uk

Manchester, England
0800-488-488
+44-(0)161-777-6611

FRANCE

www.omega.fr

0800-466-342

BENELUX

www.omega.nl

0800-099-33-44



More than 100,000 Products Available!

• Temperature

Calibrators, Connectors, General Test and Measurement Instruments, Handheld Instruments for Temperature Measurement, Ice Point References, Indicating Labels, Crayons, Cements and Lacquers, Infrared Temperature Measurement Instruments, Recorders, Relative Humidity Measurement Instruments, PT100 Probes, PT100 Elements, Temperature & Process Meters, Timers and Counters, Temperature and Process Controllers and Power Switching Devices, Thermistor Elements, Probes and Assemblies, Thermocouples, Thermowells and Head and Well Assemblies, Transmitters, Thermocouple Wire, RTD Probes

• Flow and Level

Air Velocity Indicators, Doppler Flowmeters, Level Measurement, Magnetic Flowmeters, Mass Flowmeters, Pitot Tubes, Pumps, Rotameters, Turbine and Paddle Wheel Flowmeters, Ultrasonic Flowmeters, Valves, Variable Area Flowmeters, Vortex Shedding Flowmeters

• pH and Conductivity

Conductivity Instrumentation, Dissolved Oxygen Instrumentation, Environmental Instrumentation, pH Electrodes and Instruments, Water and Soil Analysis Instrumentation

• Data Acquisition

Communication Products and Converters, Data Acquisition and Analysis Software, Data Loggers Plug-in Cards, Signal Conditioners, USB, RS232, RS485, Ethernet and Parallel Port Data Acquisition Systems, Wireless Transmitters and Receivers

• Pressure, Strain and Force

Displacement Transducers, Dynamic Measurement Force Sensors, Instrumentation for Pressure and Strain Measurements, Load Cells, Pressure Gauges, Pressure Reference Section, Pressure Switches, Pressure Transducers, Proximity Transducers, Regulators, Pressure Transmitters, Strain Gauges, Torque Transducers, Valves

• Heaters

Band Heaters, Cartridge Heaters, Circulation Heaters, Comfort Heaters, Controllers, Meters and Switching Devices, Flexible Heaters, General Test and Measurement Instruments, Heater Hook-up Wire, Heating Cable Systems, Immersion Heaters, Process Air and Duct, Heaters, Radiant Heaters, Strip Heaters, Tubular Heaters