

65 AND 150 mm ROTAMETERS

Featuring Standard Industrial Dimensions and Superior Readability

FL-3207G

\$95



Optional

- ✓ Up to $\pm 2\%$ FS Accuracy
- ✓ Non-Rotating Seal Spindle
- ✓ Easy-to-Read Scale Design
- ✓ Special Dimensions for Interchangeability

The OMEGA® precision variable-area rotameters can measure flows of air, water, and gases, with up to $\pm 2\%$ FS accuracy and 0.25% FS repeatability. These units feature an easy-to-read millimeter scale and come with correlation charts for air and water. For correlation data for nitrogen, oxygen, hydrogen, helium, argon, and carbon dioxide, see page B-39. Please consult the Engineering Department for details. The scale is fused on the metering tube in 1 mm ($\frac{1}{32}$ " increments, which enables a user to read the flow rate with the highest accuracy.

The scale design, in which a vertical line runs through the length of the scale and intersects the horizontal scale divisions, reduces parallax and eye fatigue, thus ensuring high-accuracy readings (see inset, next page). The front Lexan® shield is also curved to act as a magnifying glass, which yields superior performance over other rotameters with standard designs.

Non-Rising Stem Needle Valve

The 150 mm size flowmeters are also available with a non-rising stem type needle valve for special applications. This 15-turn metering valve has superior flow-rate control, and is particularly suited to use in chromatography applications. The sliding tapered-needle mechanism virtually eliminates sticking or buildup due to foreign matter in the fluid stream, without variations or saw-toothing of the flow rate.

Shielded for Pressurized Systems

These rotameters, with precision-bored borosilicate glass metering tubes, are fully shielded against breakage. A white opaque rear shield provides a background to aid in discerning the float position.

Panel Mounting Design

These rotameters are equipped with horizontal ports and NPT threads for easy panel mounting. The ports have external threads and are equipped with panel retaining nuts. No additional mounting hardware is required. Simply drill 2 holes 131 mm (5.156") apart (center to center) for 65 mm units, 240 mm (9.469") apart (center to center) for 150 mm units. Each hole should be 16 mm ($\frac{5}{8}$ " in diameter.

SPECIFICATIONS

Scales: 65 or 150 mm arbitrary scale

Accuracy: $\pm 2\%$ FS ($*\pm 5\%$ FS)

Repeatability: $\pm \frac{1}{4}\%$ FS

Connections: $\frac{1}{8}$ FNPT, horizontal

Flow Tube: Borosilicate glass

End Fittings:

Anodized aluminum or 316 SS

Side Panels: Aluminum

Valve Orifice: Delrin® (polyacetal)

for aluminum models, Kel-F® for 316 SS models

O-Rings:

Buna-N in aluminum models,

Viton-A® in 316 SS models

Packings: Viton®

Float Stops: PTFE

Maximum Temperature:

250°F (180°F for water)

Maximum Pressure:

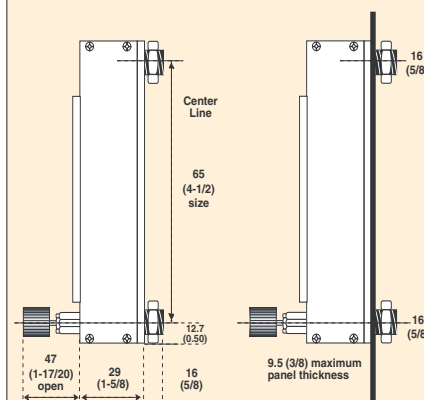
200 psig

Valve Orifice: Delrin® (polyacetal) for aluminum units, Kel-F® for 316 SS

FL-3207G,
\$95, shown
larger than
actual size.



Panel-Mount Installation



Dimensions show flowmeter side view. Face width (not shown) is 32 mm (1-1/4"). Use center line dimensions for drilling panel.

Drill two 15 mm (0.59") holes to fit inlet and outlet. Maximum panel thickness is 9.5 mm (3/8"). Use the 2 retaining nuts supplied to secure flowmeter.

Dimensions: mm (in)

Rotameters with 65 mm Flow Tubes

To Order (Specify Model Number)					
Model No. Aluminum Frame	Price	Model No. 316 SS Frame	Price	Max Flow Rate [†] (cc/min)	
				Air	Water
FL-3207G*	\$95	FL-3307G*	\$190	5.77	0.07
FL-3207ST*	95	FL-3307ST*	190	16.77	0.28
FL-3207C*	95	FL-3307C*	190	32.99	0.62
FL-3235G	95	FL-3335G	190	48.7	0.59
FL-3235ST	95	FL-3335ST	190	214.5	2.38
FL-3213G	95	FL-3313G	190	104	1.75
FL-3213ST	95	FL-3313ST	190	298	5.78
FL-3210G	95	FL-3310G	190	202	2.64
FL-3210ST	95	FL-3310ST	190	522	12.0
FL-3210C	95	FL-3310C	190	818	20.8
FL-3251G	95	FL-3351G	190	986	20.5
FL-3251ST	95	FL-3351ST	190	1946	55.6
FL-3292G	95	FL-3392G	190	1249	26.97
FL-3292ST	95	FL-3392ST	190	2520	70.67
FL-3292C	105	FL-3392C	200	3680	103.5
FL-3288G	95	FL-3388G	190	2040	39.7
FL-3288ST	95	FL-3388ST	190	3980	108.3
FL-3288C	105	FL-3388C	200	5739	169.8
FL-3265G	95	FL-3365G	190	2678	52.0
FL-3265ST	95	FL-3365ST	190	4922	150.0
FL-3296ST	95	FL-3396ST	190	12,058	364.0
FL-3217ST	95	FL-3317ST	190	24,680	745.0
FL-3263ST	105	FL-3363ST	200	42,094	1261.0
FL-3263C	105	FL-3363C	200	58,500	1866.0

FL-3207G,
\$95, shown
larger than
actual size.

Rotameters with 150 mm Flow Tubes¹

Model No. Aluminum Frame	Price	Model No. 316 SS Frame	Price	Max Flow Rate [†] (cc/min)	
				Air	Water
FL-3445G*	\$139	FL-3545G*	\$237	18.6	0.196
FL-3445ST*	139	FL-3545ST*	237	61.8	0.956
FL-3445C*	139	FL-3545C*	237	110	1.92
FL-3441G	139	FL-3541G	237	48.5	0.53
FL-3441ST	139	FL-3541ST	237	141.5	2.45
FL-3461G	139	FL-3561G	237	92	0.85
FL-3461SA	139	FL-3561SA	237	140	1.92
FL-3461ST	139	FL-3561ST	237	263	4.7
FL-3461C	139	FL-3561C	237	454	8.5
FL-3402G	139	FL-3502G	237	374	5.5
FL-3402ST	139	FL-3502ST	237	814	20.4
FL-3402C	139	FL-3502C	237	1222	33.7
FL-3403G	139	FL-3503G	237	825	16.5
FL-3403ST	139	FL-3503ST	237	1682	46.0
FL-3404G	139	FL-3504G	237	2313	53.5
FL-3404ST	139	FL-3504ST	237	4562	130.4
FL-3405G	139	FL-3505G	237	3807	84.3
FL-3405ST	139	FL-3505ST	237	7590	216.6
FL-3439G	139	FL-3539G	237	8678	210.0
FL-3439ST	139	FL-3539ST	237	16,737	506.0
FL-3440G	149	FL-3540G	247	22,536	54.0
FL-3440ST	149	FL-3540ST	247	41,512	1288.0
FL-3440C	149	FL-3540C	247	59,494	1881.0

Lexan® shield acts
as a magnifier to
ensure high
accuracy with
less eye fatigue.

G suffix denotes glass float, ST suffix denotes 316 SS float, C suffix denotes carbonyl float, SA suffix denotes sapphire float. For units without valve, add suffix "-NV" to model number. Subtract \$10 from price for aluminum; subtract \$13 for SS.

¹ For 16 turn, high-resolution non-rising stem valve for 150 mm rotameters, add suffix "-HRV" to model number and \$50 for aluminum units, \$101 for stainless steel units.

[†]Minimum flow rate is 10% of maximum.

*Accuracy ±5% on these models.

Ordering Example: FL3545G-HRV, \$237 + 101 = \$338.

omega.co.uk[®]

Your One-Stop Source for Process Measurement and Control!

Freephone 0800 488 488 | International +44(0) 161 777 6622 | Fax +44(0) 161 777 6622 | Sales@omega.co.uk

www.omega.co.uk



UNITED STATES

www.omega.com

1-800-TC-OMEGA
Stamford, CT.

CANADA

www.omega.ca

Laval(Quebec)
1-800-TC-OMEGA

GERMANY

www.omega.de

Deckenfronn, Germany
0800-8266342

UNITED KINGDOM

www.omega.co.uk

Manchester, England
0800-488-488
+44-(0)161-777-6611

FRANCE

www.omega.fr

0800-466-342

BENELUX

www.omega.nl

0800-099-33-44



More than 100,000 Products Available!

• Temperature

Calibrators, Connectors, General Test and Measurement Instruments, Handheld Instruments for Temperature Measurement, Ice Point References, Indicating Labels, Crayons, Cements and Lacquers, Infrared Temperature Measurement Instruments, Recorders, Relative Humidity Measurement Instruments, PT100 Probes, PT100 Elements, Temperature & Process Meters, Timers and Counters, Temperature and Process Controllers and Power Switching Devices, Thermistor Elements, Probes and Assemblies, Thermocouples, Thermowells and Head and Well Assemblies, Transmitters, Thermocouple Wire, RTD Probes

• Flow and Level

Air Velocity Indicators, Doppler Flowmeters, Level Measurement, Magnetic Flowmeters, Mass Flowmeters, Pitot Tubes, Pumps, Rotameters, Turbine and Paddle Wheel Flowmeters, Ultrasonic Flowmeters, Valves, Variable Area Flowmeters, Vortex Shedding Flowmeters

• pH and Conductivity

Conductivity Instrumentation, Dissolved Oxygen Instrumentation, Environmental Instrumentation, pH Electrodes and Instruments, Water and Soil Analysis Instrumentation

• Data Acquisition

Communication Products and Converters, Data Acquisition and Analysis Software, Data Loggers Plug-in Cards, Signal Conditioners, USB, RS232, RS485, Ethernet and Parallel Port Data Acquisition Systems, Wireless Transmitters and Receivers

• Pressure, Strain and Force

Displacement Transducers, Dynamic Measurement Force Sensors, Instrumentation for Pressure and Strain Measurements, Load Cells, Pressure Gauges, Pressure Reference Section, Pressure Switches, Pressure Transducers, Proximity Transducers, Regulators, Pressure Transmitters, Strain Gauges, Torque Transducers, Valves

• Heaters

Band Heaters, Cartridge Heaters, Circulation Heaters, Comfort Heaters, Controllers, Meters and Switching Devices, Flexible Heaters, General Test and Measurement Instruments, Heater Hook-up Wire, Heating Cable Systems, Immersion Heaters, Process Air and Duct, Heaters, Radiant Heaters, Strip Heaters, Tubular Heaters