

# OMEGA-FLO® 2-WAY GENERAL PURPOSE SOLENOID VALVES



SV3201  
Starts at  
**£60**



- ✓ Ideal for Compressed Air, Inert Gas, Water, and Synthetic Oils
- ✓ Normally Closed
- ✓ Process Temperature to 182°C (360°F)
- ✓ 120 Vac Standard (DC Coils are Optional)

SV3200 Series 2-way solenoid valves are direct-acting valves featuring stainless steel construction and PTFE seal material. The temperature range of -40 to 182°C (-40 to 360°F) is ideal for neutral media such as compressed air, inert gases, water, and synthetic oils.

Electrical connection options are a 1/2" conduit plug or strain relief connector.

## SPECIFICATIONS

**Mounting Position:** Any (preferably with solenoid system upright)

**Maximum Process Temperature:** 182°C (360°F) due to Viton® O-ring

**Maximum Ambient Temperature:** Coil dependent (See ratings on coils)

**Voltage Tolerance:** ±10%

**Opening Time (msec):**

**AC:** 10 to 20,

**DC:** 20 to 80 depending on orifice and pressure

**Closing Time (msec):**

**AC and DC:** 20 to 30 approximately

**Cycling Rate:** Approx. 1000 cpm

**Duty Cycle:** Continuous (100%)

**Coil Molding Material:**

**Black Polyester (Class F):**

SV8COIL-115AC

SV8COIL-24DC/60HZ

SVCOIL-24AC/50 to 60HZ

SV8COIL-220AC

**Black Polyamide (Class F):**

SV8COIL-12DC, SV8COIL-24DC, all 12 W coils

**Black Polyphenylsulfide (Class H):**

SV8COIL-115/60HZ

**Black Epoxy Resin (Class H):**

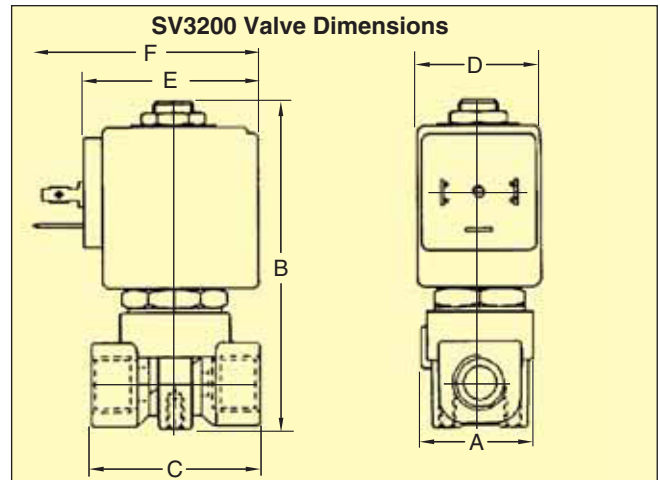
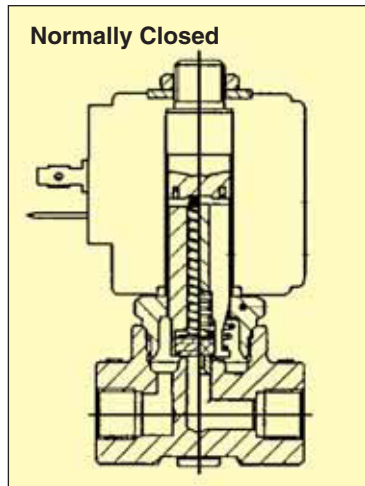
All 14 W coils



SV3201, £60, shown larger than actual size.

Materials of Construction	
Body	Stainless Steel 316
Armature Tube	Stainless Steel 300
Fixed Core	Stainless Steel 400
Plunger	Stainless Steel 400
Spring	Stainless Steel 300
Shading Ring	Gold-Plated Copper
Orifice	Stainless Steel 316

Coil Specifications		
Watt	Inrush VA	Holding VA
8	25	14.5
12	36	23
14	43	27



Coil Dimensions			
Watt	D	E	F
8	1 3/16"	1 21/32"	2 1/8"
12	1 7/16"	1 29/32"	2 3/8"
14	2 1/16"	2 7/32"	2 21/32"

Valve Dimensions			
NPT Size	A	B	C
1/4	1 3/32	1 1/16	1 5/8

**MOST POPULAR MODELS HIGHLIGHTED!**

To Order (Specify Model Number)							Operating Pressure M.O.P.D.*	
Model No.	Price	Pipe Size†	Orifice Size	CV Flow Factor	Coils		AC psi	DC psi
					Standard	Optional		
<b>SV3201</b>	<b>£60</b>	1/4"	3/32"	0.22	8 watt —	— 1 3/4 watt	200 435	130 360
<b>SV3202</b>	<b>60</b>	1/4"	1/8"	0.28	8 watt —	— 1 3/4 watt	150 360	85 300
<b>SV3203</b>	<b>60</b>	1/4"	5/32"	0.35	8 watt —	— 1 3/4 watt	85 220	25 120
<b>SV3204</b>	<b>60</b>	1/4"	7/32"	0.62	8 watt —	— 1 3/4 watt	50 100	15 45

Comes with complete instruction sheet and cable grip connector.

\* Maximum operational pressure differential.

† BSP threads. In most cases, BSP and NPT are interchangeable in this size.

Ordering Examples: **SV3201**, 1/4 NPT normally closed valve, **£60**.

### Accessories

Model No.	Price	Description
<b>Connectors</b>		
<b>SV-CGC</b>	<b>£4.70</b>	Cable grip connector
<b>SV-CC</b>	<b>4.70</b>	1/2" conduit connector
<b>Coils</b>		
<b>SV8COIL-115AC</b>	<b>£10.75</b>	Replacement 8W coil for 110 to 120 Vac/50 to 60 Hz 154°C (310°F) (Class F)
<b>SV8COIL-12DC</b>	<b>10.75</b>	8 W coil for 12 Vdc 154°C (310°F) (Class F)
<b>SV8COIL-24DC</b>	<b>10.75</b>	8 W coil for 24 Vdc 154°C (310°F) (Class F)
<b>SV8COIL-24AC/60HZ</b>	<b>10.75</b>	8 W coil for 24 Vac/50 to 60Hz 182°C (360°F) (Class F)
<b>SV8COIL-220AC</b>	<b>10.75</b>	8 W coil for 220 to 240 Vac/50 to 60 Hz 154°C (310°F) (Class F)
<b>SV8COIL-115/60HZ</b>	<b>15.50</b>	8 W coil for 115 Vac/60 Hz 182°C (360°F) (Class H)
<b>SV12COIL-120/60HZ</b>	<b>15.50</b>	12 W coil for 120 Vac/60 Hz 154°C (310°F) (Class F)
<b>SV12COIL-12DC</b>	<b>33.50</b>	12 W coil for 12 Vdc 154°C (310°F) (Class F)
<b>SV12COIL-24DC</b>	<b>15.50</b>	12 W coil for 24 Vdc 154°C (310°F) (Class F)
<b>SV14COIL-24DC</b>	<b>33.50</b>	14 W coil for 24 Vdc 182°C (360°F) (Class H)
<b>SV14COIL-24/50-60HZ</b>	<b>33.50</b>	14 W coil for 24 Vdc/50 to 60Hz 182°C (360°F) (Class H)
<b>SV14COIL-12DC</b>	<b>33.50</b>	14 W coil for 12 Vdc 182°C (360°F) (Class H)
<b>FW-306</b>	<b>84.00</b>	Reference Book: Valve Handbook





#### UNITED STATES

[www.omega.com](http://www.omega.com)

1-800-TC-OMEGA

Stamford, CT.

#### CANADA

[www.omega.ca](http://www.omega.ca)

Laval(Quebec)

1-800-TC-OMEGA

#### GERMANY

[www.omega.de](http://www.omega.de)

Deckenpfronn, Germany

0800-8266342

#### UNITED KINGDOM

[www.omega.co.uk](http://www.omega.co.uk)

Manchester, England

0800-488-488

#### FRANCE

[www.omega.fr](http://www.omega.fr)

088-466-342

#### CZECH REPUBLIC

[www.omegaeng.cz](http://www.omegaeng.cz)

Karviná, Czech Republic

596-311-899

#### BENELUX

[www.omega.nl](http://www.omega.nl)

0800-099-33-44



## More than 100,000 Products Available!

### • Temperature

Calibrators, Connectors, General Test and Measurement Instruments, Handheld Instruments for Temperature Measurement, Ice Point References, Indicating Labels, Crayons, Cements and Lacquers, Infrared Temperature Measurement Instruments, Recorders, Relative Humidity Measurement Instruments, PT100 Probes, PT100 Elements, Temperature & Process Meters, Timers and Counters, Temperature and Process Controllers and Power Switching Devices, Thermistor Elements, Probes and Assemblies, Thermocouples, Thermowells and Head and Well Assemblies, Transmitters, Thermocouple Wire, RTD Probes

### • Flow and Level

Air Velocity Indicators, Doppler Flowmeters, Level Measurement, Magnetic Flowmeters, Mass Flowmeters, Pitot Tubes, Pumps, Rotameters, Turbine and Paddle Wheel Flowmeters, Ultrasonic Flowmeters, Valves, Variable Area Flowmeters, Vortex Shedding Flowmeters

### • pH and Conductivity

Conductivity Instrumentation, Dissolved Oxygen Instrumentation, Environmental Instrumentation, pH Electrodes and Instruments, Water and Soil Analysis Instrumentation

### • Data Acquisition

Auto-Dialers and Alarm Monitoring Systems, Communication Products and Converters, Data Acquisition and Analysis Software, Data Loggers Plug-in Cards, Signal Conditioners, USB, RS232, RS485 and Parallel Port Data Acquisition Systems, Wireless Transmitters and Receivers

### • Pressure, Strain and Force

Displacement Transducers, Dynamic Measurement Force Sensors, Instrumentation for Pressure and Strain Measurements, Load Cells, Pressure Gauges, Pressure Reference Section, Pressure Switches, Pressure Transducers, Proximity Transducers, Regulators, Pressure Transmitters, Strain Gauges, Torque Transducers, Valves

### • Heaters

Band Heaters, Cartridge Heaters, Circulation Heaters, Comfort Heaters, Controllers, Meters and Switching Devices, Flexible Heaters, General Test and Measurement Instruments, Heater Hook-up Wire, Heating Cable Systems, Immersion Heaters, Process Air and Duct, Heaters, Radiant Heaters, Strip Heaters, Tubular Heaters