



OMEGA-FLO® 2-WAY ZERO DIFFERENTIAL SOLENOID VALVES

SV3501
£76
 Basic Unit



- ✓ Normally Closed
- ✓ Ideal for Compressed Air, Inert Gas, and Water
- ✓ Process Temperature to 90.5°C (195°F)
- ✓ 120 Vac Standard (220 Vac and DC Coils are Optional)
- ✓ All Coils are CE

SV-3500 Series 2-way zero differential solenoid valves are internally piloted with assisted lift valves featuring Brass, stainless steel construction and NBR and PA seal material. The temperature range from -10 to 90.5°C (14 to 195°F) is ideal for neutral media such as compressed air, inert gases, and water.

Electrical connection options are a ½" conduit plug or strain relief connector.



SPECIFICATIONS

Mounting Position: Any (preferably with solenoid system upright)

Max. Process Temp: -10 to 90.5°C (14°F to 195°F) due to NBR (Buna-N) and PA (polyimide)

Max Ambient Temp: Coil Dependent (See ratings on coils)

Voltage Tolerance: ±10%

Opening Time (msec):

AC and DC:

100 to 1000 approximately

Closing Time (msec):

AC and DC:

700 to 4000 approximately

Cycling Rate: Approx. 10 to 20 cpm

Duty Cycle: Continuous (100%)

Materials of Construction	
Body	Brass
Armature Tube	Stainless Steel 300
Fixed Core	Stainless Steel 400
Plunger	Stainless Steel 400
Spring	Stainless Steel 300
Shading Ring	Copper
Orifice	Brass

Coil Specifications		
Watt	Inrush VA	Holding VA
8	25	14.5
12	36	23
14	43	27



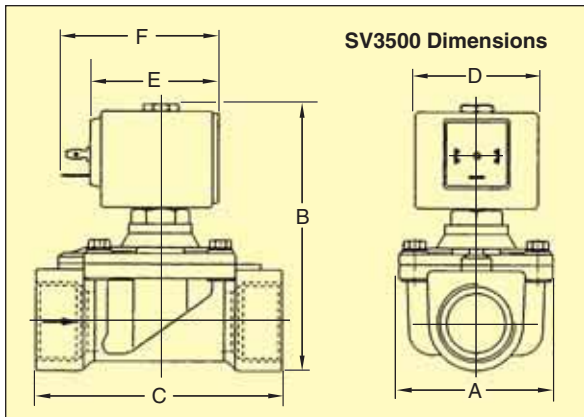
Coil Molding Material:

Black Polyester (Class F): SV8COIL-115AC, SV8COIL 24AC/60HZ, SV8COIL-220AC

Black Polyamide (Class F): SV8COIL-12DC, SV8COIL-24DC, all 12 Watt coils

Black Polyphenylsulphide (Class H): SV8COIL-115/60HZ

Black Epoxy Resin (Class H): All 14 Watt coils



Valve Dimensions			
NPT Size	A	B	C
1/4" to 3/4"	1 31/32"	3 1/2" 3 15/16"	2 7/32" 2 3/4"
1"	2 9/16"	4 13/32"	4 3/32"

Coil Dimensions			
Watt	D	E	F
8	1 3/16"	1 21/32"	2 1/8"
12	1 7/16"	1 29/32"	2 3/8"
14	2 1/16"	2 7/32"	2 21/32"

MOST POPULAR MODELS HIGHLIGHTED!

To Order (Specify Model Number)					Operating Pressure					
Model No.	Price	Pipe Size NPT	Orifice Size	Cv Flow Factor	Coils			M.O.P.D.*		
					Power (watt)	Optional Coil	Min. psi	AC psi	DC psi	
SV3501	£76	1/4"	7/16"	1.4	8		0	200	75	
SV3502	76	1/4"	7/16"	1.4		12	0	200	200	
		1/4"	7/16"	1.4		14	0	200	200	
		3/8"	7/16"	1.4	8		0	200	75	
SV3503	78	3/8"	7/16"	1.4		12	0	200	200	
		3/8"	7/16"	1.4		14	0	200	200	
		1/2"	5/8"	2.8	8		0	200	35	
SV3504	78	1/2"	5/8"	2.8		12	0	200	160	
		1/2"	5/8"	2.8		14	0	200	200	
		3/4"	5/8"	2.8	8		0	200	35	
SV3505	134	3/4"	5/8"	2.8		12	0	200	160	
		3/4"	5/8"	2.8		14	0	200	200	
		1"	1"	8.3	8		0	116	N/A	
		1"	1"	8.3		12	0	200	22	
		1"	1"	8.3		14	0	200	85	

Comes with complete instruction sheet and cable grip connector.

* Maximum operational pressure differential.

Ordering Examples: SV3502, 3/8" NPT normally closed valve, £76. SV3504, 3/4" NPT normally closed valve, £78.

Accessories

Model No.	Price	Description
Connectors		
SV-CGC	£4.70	Cable grip connector
SV-CC	4.70	1/2" conduit connector
Coils		
SV8COIL-115AC	10.75	Replacement 8W coil for 110 to 120 Vac/50 to 60 Hz 154°C (310°F) (Class F)
SV8COIL-12DC	10.75	8W coil for 12 Vdc 154°C (310°F) (Class F)
SV8COIL-24DC	10.75	8W coil for 24 Vdc 154°C (310°F) (Class F)
SV8COIL-24AC/60HZ	10.75	8W coil for 24 Vac/60Hz 154°C (310°F) (Class F)
SV8COIL-220AC	10.75	8W coil for 220 to 240 Vac/50 to 60 Hz 154°C (310°F) (Class F)
SV8COIL-115/60HZ	15.50	8W coil for 115 Vac/60 Hz 182°C (360°F) (Class H)
SV12COIL-120/60HZ	15.50	12W coil for 120 Vac/60 Hz 154°C (310°F) (Class F)
SV12COIL-12DC	15.50	12W coil for 12 Vdc 154°C (310°F) (Class F)
SV12COIL-24DC	15.50	12W coil for 24 Vdc 154°C (310°F) (Class F)
SV14COIL-24DC	33.50	14W coil for 24 Vdc 182°C (360°F) (Class H)
SV14COIL-24/50-60HZ	33.50	14W coil for 24 Vdc/50 to 60Hz 182°C (360°F) (Class H)
SV14COIL-12DC	33.50	14W coil for 12 Vdc 182°C (360°F) (Class H)
Repair Kits (Include Diaphragm, Spring, Plunger, and O-rings)		
VRK-3512	22.75	Repair kits for SV3501 and SV3502
VRK-3534	22.75	Repair kits for SV3503 and SV3504
VRK-3505	22.75	Repair kit for SV3505
FW-306	125	Reference Book: Valve Handbook





UNITED STATES

www.omega.com

1-800-TC-OMEGA

Stamford, CT.

CANADA

www.omega.ca

Laval(Quebec)

1-800-TC-OMEGA

GERMANY

www.omega.de

Deckenpfronn, Germany

0800-8266342

UNITED KINGDOM

www.omega.co.uk

Manchester, England

0800-488-488

FRANCE

www.omega.fr

088-466-342

CZECH REPUBLIC

www.omegaeng.cz

Karviná, Czech Republic

596-311-899

BENELUX

www.omega.nl

0800-099-33-44



More than 100,000 Products Available!

• Temperature

Calibrators, Connectors, General Test and Measurement Instruments, Handheld Instruments for Temperature Measurement, Ice Point References, Indicating Labels, Crayons, Cements and Lacquers, Infrared Temperature Measurement Instruments, Recorders, Relative Humidity Measurement Instruments, PT100 Probes, PT100 Elements, Temperature & Process Meters, Timers and Counters, Temperature and Process Controllers and Power Switching Devices, Thermistor Elements, Probes and Assemblies, Thermocouples, Thermowells and Head and Well Assemblies, Transmitters, Thermocouple Wire, RTD Probes

• Flow and Level

Air Velocity Indicators, Doppler Flowmeters, Level Measurement, Magnetic Flowmeters, Mass Flowmeters, Pitot Tubes, Pumps, Rotameters, Turbine and Paddle Wheel Flowmeters, Ultrasonic Flowmeters, Valves, Variable Area Flowmeters, Vortex Shedding Flowmeters

• pH and Conductivity

Conductivity Instrumentation, Dissolved Oxygen Instrumentation, Environmental Instrumentation, pH Electrodes and Instruments, Water and Soil Analysis Instrumentation

• Data Acquisition

Auto-Dialers and Alarm Monitoring Systems, Communication Products and Converters, Data Acquisition and Analysis Software, Data Loggers Plug-in Cards, Signal Conditioners, USB, RS232, RS485 and Parallel Port Data Acquisition Systems, Wireless Transmitters and Receivers

• Pressure, Strain and Force

Displacement Transducers, Dynamic Measurement Force Sensors, Instrumentation for Pressure and Strain Measurements, Load Cells, Pressure Gauges, Pressure Reference Section, Pressure Switches, Pressure Transducers, Proximity Transducers, Regulators, Pressure Transmitters, Strain Gauges, Torque Transducers, Valves

• Heaters

Band Heaters, Cartridge Heaters, Circulation Heaters, Comfort Heaters, Controllers, Meters and Switching Devices, Flexible Heaters, General Test and Measurement Instruments, Heater Hook-up Wire, Heating Cable Systems, Immersion Heaters, Process Air and Duct, Heaters, Radiant Heaters, Strip Heaters, Tubular Heaters