

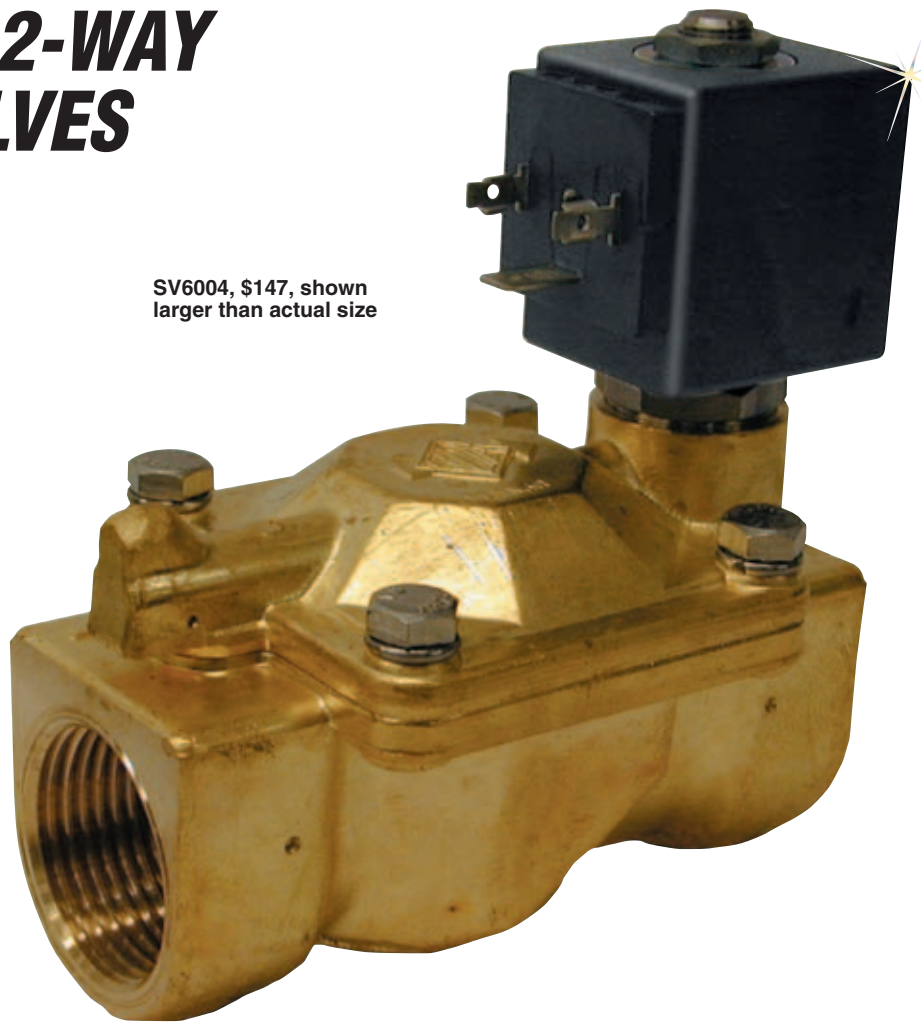
OMEGA-FLO® 2-WAY SOLENOID VALVES

SV6000 Series Starts at

\$86



SV6004, \$147, shown larger than actual size



- Normally Closed or Normally Open
- Ideal for Compressed Air, Inert Gas, Synthetic Oils and Water
- 120 Vac Standard (220 Vac and DC Coils are Optional)
- 8 W, AC Coils Standard
- 12 or 14 W, AC or DC Coils Available For Many Models

SV6000 Series 2-way solenoid valves are internally piloted with assisted lift valves featuring Brass, stainless steel construction and FKM seal material. The temperature range from -10 to 137°C (14 to 280°F) and FKM O-ring material is ideal for neutral media such as compressed air, inert gases, synthetic oils and water. Buna O-rings are good for compressed air, inert gases, and water. Buna O-rings have a more limited temperature range from -10 to 90°C (14 to 195°F).

A strain-relief connector is supplied with each unit. A 1/2" conduit plug is also available.

SPECIFICATIONS

Mounting Position: Any (preferably with solenoid system upright)

Operating Ambient:

FKM O-Ring: -10 to 137°C (14 to 280°F)

Buna O-ring: -10 to 90°C

(14 to 195°F). Buna O-rings are not recommended for synthetic oils.

Use FKM O-rings.

Max Ambient Temp.: Coil Dependent (See ratings on coils)

Voltage Tolerance: ±10%

Opening Time (msec): 200 to 500 approximately

Closing Time (msec): 100 to 4000 approximately

Cycling Rate: Approx. 10 to 50 cpm

Duty Cycle: Continuous (100%)

Materials of Construction	
Body	Brass
Armature Tube	Stainless Steel 300
Fixed Core	Stainless Steel 400
Plunger	Stainless Steel 400
Spring	Stainless Steel 300
Shading Ring	Copper
Orifice	Brass

Coil Specifications		
Watt	Inrush VA	Holding VA
8	25	14.5
12	36	23.0
14	43	27.0

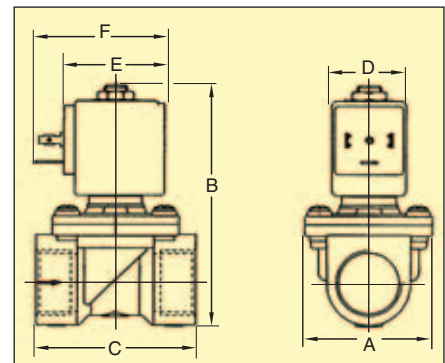
Coil Molding Material:

Black Polyester (Class F):
SV8COIL-115AC,
SV8COIL-24DC/60HZ,
SV8COIL-220AC

Black Polyamide (Class F):
SV8COIL-12DC,
SV8COIL-24DC,
All 12 Watt coils

Black Polyphenylsulfide (Class H): SV8COIL-115/60HZ

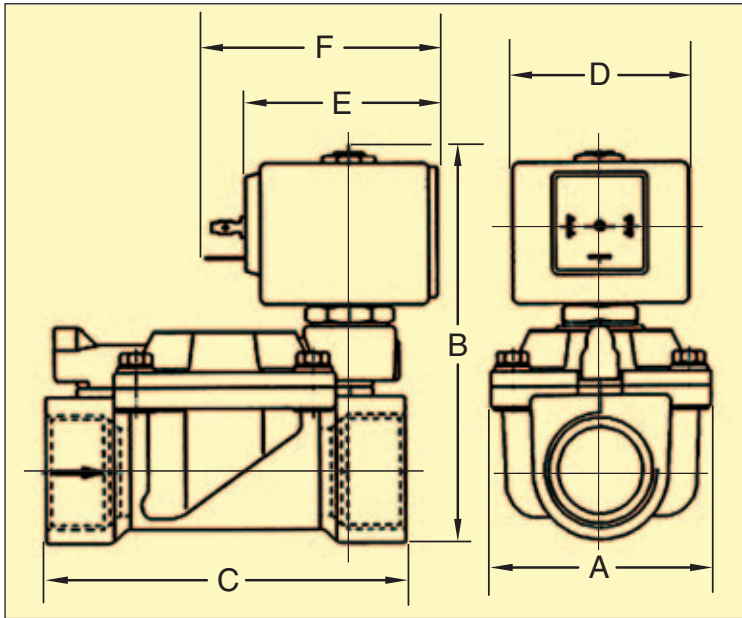
Black Epoxy Resin (Class H):
All 14 Watt coils



Valve Dimensions			
Model No.	A	B	C
SV6001			2"
SV6002	1 1/16"	3 3/16"	2"
SV6003			2 27/32"

SV6000 Series Coil Dimensions			
Watt	D	E	F
8	1 3/16"	1 21/32"	2 1/8"
12	1 7/16"	1 29/32"	2 3/8"
14	2 1/16"	2 7/32"	2 27/32"

SV6004/SV6008



Valve Dimensions			
Model No.	A	B	C
SV6004	2 ⁹ / ₁₆ "	4 ¹ / ₈ "	4 ³ / ₃₂ "
SV6005		4 ¹³ / ₃₂ "	
SV6006	3 ⁷ / ₁₆ "	4 ¹⁵ / ₁₆ "	5 ²¹ / ₃₂ "
SV6007			
SV6008	4 ²¹ / ₃₂ "	5 ⁹ / ₁₆ "	6 ²⁵ / ₃₂ "



MOST POPULAR MODELS HIGHLIGHTED!

To Order (Specify Model Number)										
Normally Closed Model No.	Price	Pipe Size	Orifice Size	Cv Flow Factor	O-Ring	Coils		Operating Pressure		
						Standard	Optional	MIN psi	M.O.P.D.*	
									AC psi	DC psi
SV6001	86	1/4"	7/16"	1.5	FKM	8 W		2	300	150
		1/4"	7/16"	1.5	FKM		12 or 14 W	2	300	300
SV6002	86	3/8"	7/16"	1.7	FKM	8 W		2	300	150
		3/8"	7/16"	1.7	FKM		12 or 14 W	2	300	300
SV6003	86	1/2"	7/16"	1.7	FKM	8 W		2	300	150
		1/2"	7/16"	1.7	FKM		12 or 14 W	2	300	300
SV6004	147	3/4"	3/4"	9.8	Buna†	8 W	–	2	230	230
SV6005	160	1"	1"	14	Buna†	8 W	–	2	230	230
SV6006	308	1 1/4"	1 3/8"	28	Buna†	8 W	–	2	150	150
SV6007	324	1 1/2"	1 1/2"	36	Buna†	8 W	–	2	150	150
SV6008	440	2"	2"	53	Buna†	8 W	–	2	150	150
Normally Open Model No.	Price	Pipe Size	Orifice Size	Cv Flow Factor	O-Ring	Standard	Optional	MIN psi	AC psi	DC psi
SV6004-NO	169	3/4"	3/4"	9.8	Buna†	8 W	–	2	230	230
SV6005-NO	183	1"	1"	14	Buna†	8 W	–	2	230	230
SV6006-NO	330	1 1/4"	1 3/8"	28	Buna†	8 W	–	2	150	150
SV6007-NO	348	1 1/2"	1 1/2"	36	Buna†	8 W	–	2	150	150
SV6008-NO	464	2"	2"	53	Buna†	8 W	–	2	150	150

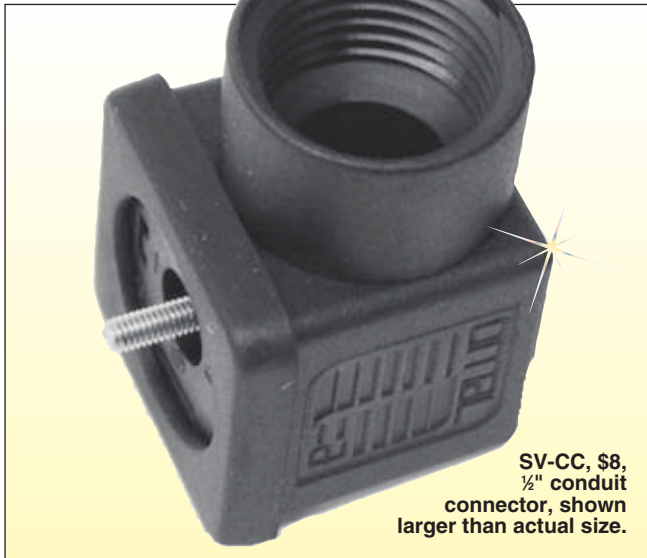
* Maximum Operational Pressure Differential.

† Add suffix "-V" to model number to change standard Buna O-rings to FKM and \$50 to price. Example: SV6004-V, 147 + 50 = \$197. Comes complete with operator's manual, 8 W coil and cable grip connector.

Ordering Examples: SV6002, 3/8 NPT normally closed valve for 7/16" orifice, \$86.

SV6004-NO, 3/4" normally open valve for 3/4" orifice, \$169.

SV8COIL-12DC, 8 W coil for 12 Vdc 154°C (310°F) (Class F), \$16.



Accessories

■ MOST POPULAR MODELS HIGHLIGHTED!

Model No.	Price	Description
Connectors		
SV-CGC	\$8	Cable grip connector
SV-CC	8	½" conduit connector
Coils		
SV8COIL-115AC	\$16	Replacement 8W coil for 110 to 120 VAC/50 to 60 Hz 154°C (310°F) (Class F)
SV8COIL-12DC	16	8W coil for 12 Vdc 154°C (310°F) (Class F)
SV8COIL-24DC	16	8W coil for 24 Vdc 154°C (310°F) (Class F)
SV8COIL-24AC/60HZ	16	8W coil for 24 Vac/60Hz 182°C (360°F) (Class H)
SV8COIL-220AC	16	8W coil for 220 to 240 Vac/50 to 60 Hz 154°C (310°F) (Class F)
SV8COIL-115/60HZ	23	8W coil for 115 Vac/60 Hz 182°C (360°F) (Class H)
SV12COIL-120/60HZ	24	12W coil for 120 Vac/60 Hz 154°C (310°F) (Class F)
SV12COIL-12DC	52	12W coil for 12 Vdc 154°C (310°F) (Class F)
SV12COIL-24DC	24	12W coil for 24 Vdc 154°C (310°F) (Class F)
SV14COIL-24DC	52	14W coil for 24 Vdc 182°C (360°F) (Class H)
SV14COIL-24/50-60HZ	52	14W coil for 24 Vac/50 to 60Hz 182°C (360°F) (Class H)
SV14COIL-12DC	52	14W coil for 12 Vdc 182°C (360°F) (Class H)
Repair Kits (Include Diaphragm, Spring, Plunger, and O-rings)		
VRK-6000	\$35	Repair kit for SV6001, SV6002, SV6003
VRK-6000-NO	39	Repair kit for SV6002-NO, SV6003-NO
VRK-6045	43	Repair kit for SV6004, SV6005
VRK-6045-V	43	Repair kit for SV6004, SV6005 with FKM O-rings
VRK-6045-NO	43	Repair kit for SV6004-NO, SV6005-NO
VRK-6067	142	Repair kit for SV6006, SV6007
VRK-6067-V	149	Repair kit for SV6006, SV6007 with FKM O-rings
VRK-6067-NO	162	Repair kit for SV6006-NO, SV6007-NO
VRK-6008	156	Repair kit for SV6008
VRK-6008-V	163	Repair kit for SV6008 with FKM O-rings
VRK-6008-NO	156	Repair kit for SV6008-NO
FW-346	99	Reference Book: Control Valve Primer

Ordering Examples: SV-CGC, cable grip connector, \$8. SV8COIL-12DC, 8W coil for 12 Vdc 154°C (310°F) (Class F), \$16.



omega.co.uk[®]

Your One-Stop Source for Process Measurement and Control!

Freephone 0800 488 488 | International +44(0) 161 777 6622 | Fax +44(0) 161 777 6622 | Sales@omega.co.uk

www.omega.co.uk



UNITED STATES

www.omega.com

1-800-TC-OMEGA
Stamford, CT.

UNITED KINGDOM

www.omega.co.uk

Manchester, England
0800-488-488
+44-(0)161-777-6611

CANADA

www.omega.ca

Laval(Quebec)
1-800-TC-OMEGA

FRANCE

www.omega.fr

0800-466-342

GERMANY

www.omega.de

Deckenfronn, Germany
0800-8266342

BENELUX

www.omega.nl

0800-099-33-44



More than 100,000 Products Available!

• Temperature

Calibrators, Connectors, General Test and Measurement Instruments, Handheld Instruments for Temperature Measurement, Ice Point References, Indicating Labels, Crayons, Cements and Lacquers, Infrared Temperature Measurement Instruments, Recorders, Relative Humidity Measurement Instruments, PT100 Probes, PT100 Elements, Temperature & Process Meters, Timers and Counters, Temperature and Process Controllers and Power Switching Devices, Thermistor Elements, Probes and Assemblies, Thermocouples, Thermowells and Head and Well Assemblies, Transmitters, Thermocouple Wire, RTD Probes

• Flow and Level

Air Velocity Indicators, Doppler Flowmeters, Level Measurement, Magnetic Flowmeters, Mass Flowmeters, Pitot Tubes, Pumps, Rotameters, Turbine and Paddle Wheel Flowmeters, Ultrasonic Flowmeters, Valves, Variable Area Flowmeters, Vortex Shedding Flowmeters

• pH and Conductivity

Conductivity Instrumentation, Dissolved Oxygen Instrumentation, Environmental Instrumentation, pH Electrodes and Instruments, Water and Soil Analysis Instrumentation

• Data Acquisition

Communication Products and Converters, Data Acquisition and Analysis Software, Data Loggers Plug-in Cards, Signal Conditioners, USB, RS232, RS485, Ethernet and Parallel Port Data Acquisition Systems, Wireless Transmitters and Receivers

• Pressure, Strain and Force

Displacement Transducers, Dynamic Measurement Force Sensors, Instrumentation for Pressure and Strain Measurements, Load Cells, Pressure Gauges, Pressure Reference Section, Pressure Switches, Pressure Transducers, Proximity Transducers, Regulators, Pressure Transmitters, Strain Gauges, Torque Transducers, Valves

• Heaters

Band Heaters, Cartridge Heaters, Circulation Heaters, Comfort Heaters, Controllers, Meters and Switching Devices, Flexible Heaters, General Test and Measurement Instruments, Heater Hook-up Wire, Heating Cable Systems, Immersion Heaters, Process Air and Duct, Heaters, Radiant Heaters, Strip Heaters, Tubular Heaters