



# MICA-INSULATED BAND HEATERS

1- and 2-Piece  
Construction  
Starts at  
**\$30**



MBH-5020800T,  
\$59, shown  
smaller than  
actual size.



MBH-2520600A/120,  
\$49, shown smaller  
than actual size.

MBH-3515450/120,  
\$30, shown smaller  
than actual size.



MBH-1515175B/120,  
\$45, shown smaller  
than actual size.

- ✓ 25 to 292 mm (1 to 11½") ID
- ✓ Up to 482°C (900°F) Barrel Temperature

### APPLICATIONS

- ✓ Cylinders, Dies, Drums, and Holding Tanks
- ✓ Injection and Blow Molding Machines
- ✓ Plastic Extruders

Omegalux® MBH Series mica-insulated band heaters are available in 1- or 2-piece construction and a variety of diameters and widths. One-piece band heaters are manufactured with inside diameters from 25 to 89 mm (1 to 3½"). Two-piece band heaters are available in diameters from 102 to 292 mm (4 to 11½"). Electrical connections are made through post terminals or insulated and stainless steel overbraided leads.

Each half of the 2-piece band heaters is rated 120 V and is wired in parallel for 120 V operation or in series for 240 V operation.

Available options include different dimensions and terminals, special wattage or voltage ratings, flexible conduit, and holes or cutouts. Two or more sections can be manufactured to fit larger diameters. Contact Engineering for more information.

When heating objects to higher temperatures, lower-watt-density heaters should be used to prevent overheating and shortened heater life. Watt density is the total wattage of the heater divided by the heated surface area of the heater. Use the table to the right to select the maximum recommended watt density for the application. Lower watt densities can be achieved by operating 240 V heaters on 120 V.

When operating 240 V heaters on 120 V, the wattage and watt density are derated by a factor of 4.

For example, the MBH-1715300A/240 is a 44 mm (1.75") ID one-piece band heater, rated for 300 W and 36 W per square inch at 240 V. When operating this same heater on 120 V, the wattage and watt density are reduced to 75 W and 9 W per square inch.

Maximum Operating Temperature	
Operating Temperature* °C (°F)	Maximum Recommended Watts per Square Inch
149 (300)	40
204 (400)	30
260 (500)	21
316 (600)	12
371 (700)	10
427 (800)	10
482 (900)	10

**One Piece  
Band Heaters**

MBH-1515175B/120,  
terminal style B, \$45,  
shown larger than  
actual size.

MBH-2520600A/120, terminal style  
A, \$49, shown close  
to actual size.



**One-Piece Construction**

**MOST POPULAR MODELS HIGHLIGHTED!**

**H**

**To Order (Specify Model Number)**

Model Number	Price	ID mm (in)	Width mm (in)	Watts	W/in <sup>2</sup>	Terminal Style	Weight kg (lb)
MBH-101085A/120	\$42	25 (1.00)	25 (1.0)	85	27	A	0.11 (0.25)
MBH-101085B/120	42	25 (1.00)	25 (1.0)	85	27	B	0.11 (0.25)
MBH-1015130A/120	44	25 (1.00)	38 (1.5)	130	27	A	0.17 (0.37)
MBH-1015130B/120	75	25 (1.00)	38 (1.5)	130	27	B	0.17 (0.37)
MBH-1210100A/120	44	32 (1.25)	25 (1.0)	100	25	A	0.17 (0.37)
MBH-1210100B/120	44	32 (1.25)	25 (1.0)	100	25	B	0.17 (0.37)
MBH-1210150A/120	44	32 (1.25)	25 (1.0)	150	38	A	0.17 (0.37)
MBH-1210150B/120	45	32 (1.25)	25 (1.0)	150	38	B	0.17 (0.37)
MBH-1215150A/120	45	32 (1.25)	38 (1.5)	150	25	A	0.20 (0.43)
MBH-1215150B/120	45	32 (1.25)	38 (1.5)	150	25	B	0.20 (0.43)
MBH-1215200A/120	45	32 (1.25)	38 (1.5)	200	34	A	0.20 (0.43)
MBH-1215200B/120	45	32 (1.25)	38 (1.5)	200	34	B	0.20 (0.43)
MBH-1515175A/*	45	38 (1.50)	38 (1.5)	175	24	A	0.23 (0.50)
MBH-1515175B/*	45	38 (1.50)	38 (1.5)	175	24	B	0.23 (0.50)
MBH-1515275A/*	45	38 (1.50)	38 (1.5)	275	39	A	0.23 (0.50)
MBH-1515275B/*	45	38 (1.50)	38 (1.5)	275	39	B	0.23 (0.50)
MBH-1715180A/*	45	44 (1.75)	38 (1.5)	180	22	A	0.25 (0.56)
MBH-1715180B/*	45	44 (1.75)	38 (1.5)	180	22	B	0.25 (0.56)
MBH-1715300A/*	45	44 (1.75)	38 (1.5)	300	36	A	0.25 (0.56)
MBH-1715300B/*	45	44 (1.75)	38 (1.5)	300	36	B	0.25 (0.56)
MBH-2015200A/*	45	51 (2.00)	38 (1.5)	200	21	A	0.31 (0.68)
MBH-2015200B/*	45	51 (2.00)	38 (1.5)	200	21	B	0.31 (0.68)
MBH-2015375A/*	45	51 (2.00)	38 (1.5)	375	40	A	0.31 (0.68)
MBH-2015375B/*	45	51 (2.00)	38 (1.5)	375	40	B	0.31 (0.68)
MBH-2515300A/*	48	64 (2.50)	38 (1.5)	300	25	A	0.34 (0.81)
MBH-2515450A/*	48	64 (2.50)	38 (1.5)	450	38	A	0.34 (0.81)
MBH-2520600A/*	49	64 (2.50)	51 (2.0)	600	38	A	0.39 (0.87)
MBH-2525750A/*	52	64 (2.50)	64 (2.5)	750	38	A	0.42 (0.93)
MBH-2530900A/*	55	64 (2.50)	76 (3.0)	900	38	A	0.48 (1.06)
MBH-3015400/*	30	76 (3.00)	38 (1.5)	400	28	—	0.25 (0.56)
MBH-3515450/*	30	89 (3.50)	38 (1.5)	450	27	—	0.31 (0.68)
MBH-3520500/*	33	89 (3.50)	51 (2.0)	500	23	—	0.39 (0.87)

\* Insert "120" or "240" for 120 Vac or 240 Vac operation.

Ordering Example: MBH-1515175B/120, 38 mm (1.5") ID, 38 mm (1.5") width, 175 W, 120 Vac band heater, \$45.

**Two-Piece  
Band Heaters**

**MBH-5515750T,  
Terminal Style T,  
\$57, shown close  
to actual size.**



**SPECIFICATIONS  
(All Models)**

**Construction:**  
Mica insulation, ribbon  
resistance element, rust  
resistant steel sheath

**Width Tolerance:**  
±1.6 mm (1/16")

**Gap Dimensions:**  
25 to 152 mm (1 to 6")  
I.D.: 8 mm (5/16") nominal;  
152 to 292 mm (6 to 11½")  
I.D.: 10 mm (3/8") nominal

**Thickness:**  
5 mm (3/16") nominal

**Two Piece Construction\*\***

**MOST POPULAR MODELS HIGHLIGHTED!**

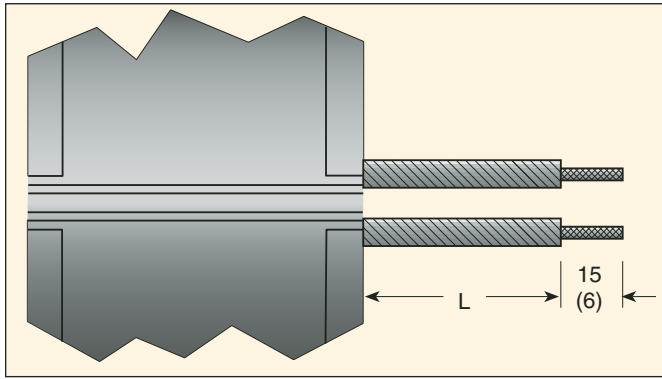
<b>To Order (Specify Model Number)</b>							
<b>Model Number</b>	<b>Price</b>	<b>I.D. mm (")</b>	<b>Width mm (")</b>	<b>Watt</b>	<b>W/in<sup>2</sup></b>	<b>Terminal Style</b>	<b>Weight kg (lb)</b>
<b>MBH-4015550T</b>	<b>\$54</b>	102 (4.00)	38 (1.5)	550	30	T	0.23 (0.50)
<b>MBH-4020600T</b>	<b>57</b>	102 (4.00)	51 (2.0)	600	25	T	0.28 (0.62)
<b>MBH-4515650T</b>	<b>55</b>	114 (4.50)	38 (1.5)	650	31	T	0.25 (0.56)
<b>MBH-5015750T</b>	<b>56</b>	127 (5.00)	38 (1.5)	750	31	T	0.31 (0.68)
<b>MBH-5020800T</b>	<b>59</b>	127 (5.00)	51 (2.0)	800	26	T	0.45 (1.00)
<b>MBH-5515750T</b>	<b>57</b>	140 (5.50)	38 (1.5)	750	29	T	0.43 (0.95)
<b>MBH-5520900T</b>	<b>68</b>	140 (5.50)	51 (2.0)	900	26	T	0.45 (1.00)
<b>MBH-6015900T</b>	<b>58</b>	152 (6.00)	38 (1.5)	900	32	T	0.43 (0.95)
<b>MBH-60201000T</b>	<b>62</b>	152 (6.00)	51 (2.0)	1000	27	T	0.51 (1.12)
<b>MBH-65151100T</b>	<b>59</b>	165 (6.50)	38 (1.5)	1100	36	T	0.51 (1.12)
<b>MBH-70151000T</b>	<b>60</b>	178 (7.00)	38 (1.5)	1000	30	T	0.51 (1.12)
<b>MBH-80151100T</b>	<b>63</b>	203 (8.00)	38 (1.5)	1100	29	T	0.57 (1.25)
<b>MBH-90151200T</b>	<b>63</b>	229 (9.00)	38 (1.5)	1200	28	T	0.62 (1.37)
<b>MBH-100151400T</b>	<b>65</b>	254 (10.00)	38 (1.5)	1400	30	T	0.68 (1.50)
<b>MBH-110201200T</b>	<b>67</b>	279 (11.00)	51 (2.0)	1200	18	T	0.91 (2.00)
<b>MBH-115151650T</b>	<b>44</b>	292 (11.50)	38 (1.5)	1650	31	T	0.76 (1.68)

**\*\* Note:** Two piece band heaters can be operated on either 120 or 240 Vac. Each half is rated for 120 V and is wired in parallel for 120 V and in series for 240 V operation.



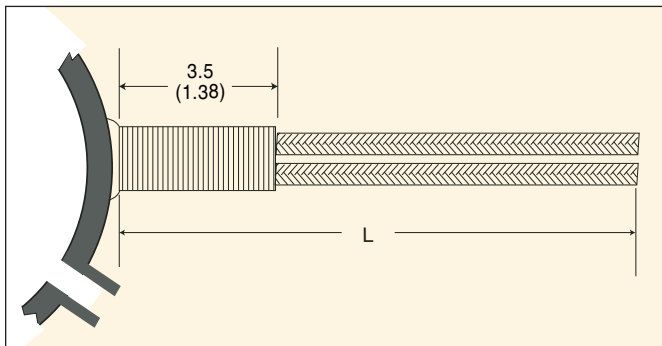
Dimensions: cm (in)

**Dimensions for Terminal Styles A, B and T**



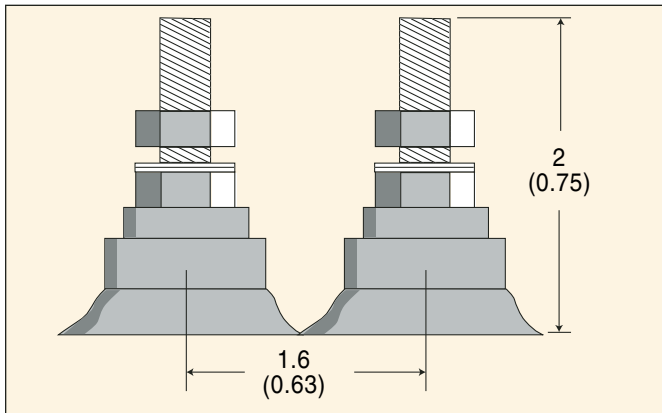
**Terminal Style A**

L = 30 cm (12") for standard heaters  
Longer leads are optional



**Terminal Style B**

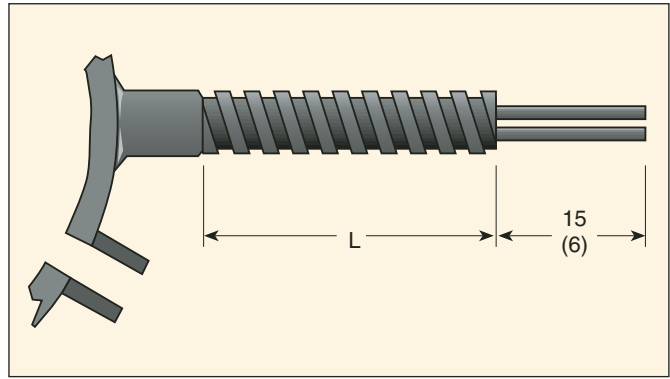
L = 30 cm (12") for standard heaters  
Longer leads or flexible conduit are optional



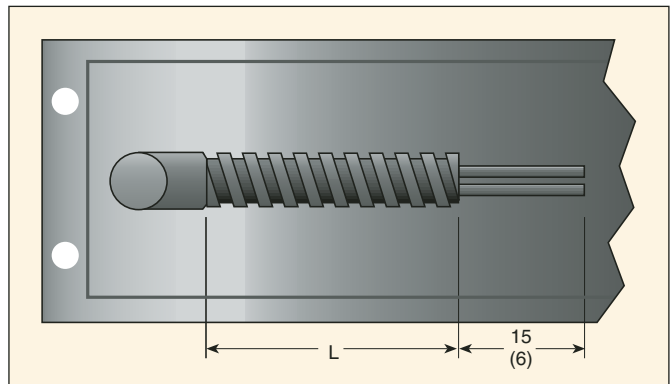
**Terminal Style T**

*Note: Heater thickness is approx. 5 mm (3/16")  
Total height is approx. 2.5 cm (1")*

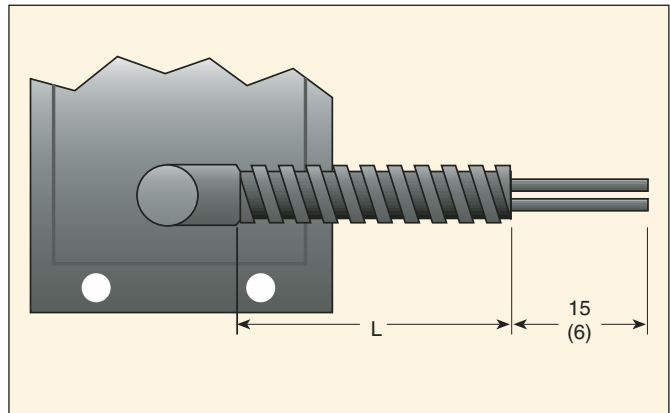
**Flexible Conduit Options for Terminal Style B**



**FC1** Flexible conduit for straight leads



**FC2** Flexible conduit for right angle leads  
in line with heater



**FC3** Flexible conduit for right angle leads  
at 90° to heater

H

**Terminal Style A Options**

Description	Ordering Suffix	Price
Longer "L" Dimension	/*	Special Quote

**Terminal Style B Options**

Description	Ordering Suffix	Price
Longer "L" Dimension	/*	Special Quote
FC1 Flexible Conduit Option	/FC1/*	Special Quote
FC2 Flexible Conduit Option	/FC2/*	Special Quote
FC3 Flexible Conduit Option	/FC3/*	Special Quote

**U.S. AND CANADA**

For sales and service, call:  
**1-800-82-66342®**  
**1-800-TC-OMEGA**

For technical assistance, call:  
**1-800-872-4328®**  
**1-800-USA-HEAT**

# omega.co.uk<sup>®</sup>

Your One-Stop Source for Process Measurement and Control!

Freephone 0800 488 488 | International +44(0) 161 777 6622 | Fax +44(0) 161 777 6622 | Sales@omega.co.uk

[www.omega.co.uk](http://www.omega.co.uk)



#### UNITED STATES

[www.omega.com](http://www.omega.com)

1-800-TC-OMEGA  
Stamford, CT.

#### CANADA

[www.omega.ca](http://www.omega.ca)

Laval(Quebec)  
1-800-TC-OMEGA

#### GERMANY

[www.omega.de](http://www.omega.de)

Deckenfronn, Germany  
0800-8266342

#### UNITED KINGDOM

[www.omega.co.uk](http://www.omega.co.uk)

Manchester, England  
0800-488-488  
+44-(0)161-777-6611

#### FRANCE

[www.omega.fr](http://www.omega.fr)

0800-466-342

#### BENELUX

[www.omega.nl](http://www.omega.nl)

0800-099-33-44



## More than 100,000 Products Available!

### • Temperature

Calibrators, Connectors, General Test and Measurement Instruments, Handheld Instruments for Temperature Measurement, Ice Point References, Indicating Labels, Crayons, Cements and Lacquers, Infrared Temperature Measurement Instruments, Recorders, Relative Humidity Measurement Instruments, PT100 Probes, PT100 Elements, Temperature & Process Meters, Timers and Counters, Temperature and Process Controllers and Power Switching Devices, Thermistor Elements, Probes and Assemblies, Thermocouples, Thermowells and Head and Well Assemblies, Transmitters, Thermocouple Wire, RTD Probes

### • Flow and Level

Air Velocity Indicators, Doppler Flowmeters, Level Measurement, Magnetic Flowmeters, Mass Flowmeters, Pitot Tubes, Pumps, Rotameters, Turbine and Paddle Wheel Flowmeters, Ultrasonic Flowmeters, Valves, Variable Area Flowmeters, Vortex Shedding Flowmeters

### • pH and Conductivity

Conductivity Instrumentation, Dissolved Oxygen Instrumentation, Environmental Instrumentation, pH Electrodes and Instruments, Water and Soil Analysis Instrumentation

### • Data Acquisition

Communication Products and Converters, Data Acquisition and Analysis Software, Data Loggers Plug-in Cards, Signal Conditioners, USB, RS232, RS485, Ethernet and Parallel Port Data Acquisition Systems, Wireless Transmitters and Receivers

### • Pressure, Strain and Force

Displacement Transducers, Dynamic Measurement Force Sensors, Instrumentation for Pressure and Strain Measurements, Load Cells, Pressure Gauges, Pressure Reference Section, Pressure Switches, Pressure Transducers, Proximity Transducers, Regulators, Pressure Transmitters, Strain Gauges, Torque Transducers, Valves

### • Heaters

Band Heaters, Cartridge Heaters, Circulation Heaters, Comfort Heaters, Controllers, Meters and Switching Devices, Flexible Heaters, General Test and Measurement Instruments, Heater Hook-up Wire, Heating Cable Systems, Immersion Heaters, Process Air and Duct, Heaters, Radiant Heaters, Strip Heaters, Tubular Heaters