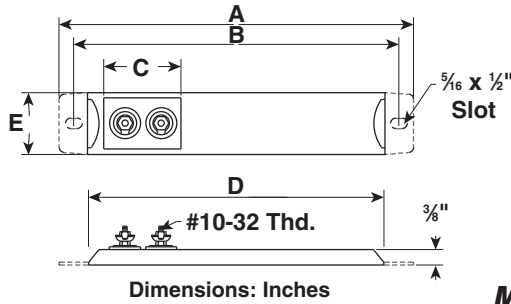


## SEAMLESS STRIP HEATERS WITHOUT MOUNTING TABS



SSE, SSEM and SSNHM Series Starts at

**\$81**



C = Terminal Base  
1 1/8" for SSE and SSEM  
1" for SSNHM  
E = Width  
1 1/8" for SSE and SSEM  
1" or SSNHM

**MOST POPULAR MODELS HIGHLIGHTED!**

- ✓ 1 1/8" or 1 1/16" (4 or 2.9 cm) Wide
- ✓ Rugged, Reliable, Premium Quality
- ✓ 200 to 2550 Watts
- ✓ 2 Terminals One End
- ✓ Seamless Construction
- ✓ Select Rust Resisting Iron or Monel Sheath

Seamless strip elements are supplied without mounting tabs as standard. Overall length (dimension A) is with mounting tab; dimension D is length without mounting tabs.

### SPECIFICATIONS

**Sheath Material:** Iron or Monel® (SSNHM available only with Monel)

**Max Sheath Temp:**

**Iron:** 399°C (750°F)

**Monel:** 510°C (950°F)

**Power:** 120 or 240 Vac

### To Order (Specify Model Number)

Dimension: Inches (cm)					Monel Sheath		
A	B	D	Watts	W/In <sup>2</sup>	Model No.	Price	Wt. Lb (kg)
8 1/8 (21)	7 3/8 (19)	6 5/8 (17)	200	19	SSNHM-08/120	\$675	0.36 (0.16)
9 1/8 (24)	8 1/8 (23)	8 1/8 (21)	275	19	SSNHM-09/120	700	0.38 (0.17)
11 1/8 (28)	10 1/8 (26)	9 1/8 (24)	300	16	SSNHM-11/120	700	0.50 (0.22)
12 1/8 (31)	11 1/8 (29)	10 1/8 (27)	320	16	SSNHM-12/*	725	0.63 (0.29)
14 1/8 (36)	13 1/8 (34)	12 1/8 (32)	375	14	SSNHM-14/*	750	0.70 (0.32)
15 1/8 (40)	14 1/8 (37)	13 1/8 (35)	415	14	SSNHM-15/*	750	0.75 (0.34)
18 (46)	17 1/8 (44)	16 1/2 (42)	495	13	SSNHM-18/*	750	1.40 (0.64)
19 1/8 (50)	18 1/8 (48)	18 1/8 (46)	550	13	SSNHM-19/*	775	1.40 (0.64)
21 1/8 (54)	20 1/8 (52)	19 1/8 (50)	600	13	SSNHM-21/*	800	1.63 (0.74)
22 1/8 (57)	21 1/8 (56)	22 1/8 (56)	625	13	SSNHM-22/*	825	1.79 (0.81)
23 1/8 (61)	23 1/8 (59)	22 3/8 (57)	675	13	SSNHM-24/*	850	1.81 (0.82)
25 1/8 (65)	24 1/8 (63)	24 1/8 (62)	725	13	SSNHM-25/*	925	2.06 (0.93)
27 1/8 (70)	26 1/8 (68)	26 1/8 (66)	800	13	SSNHM-27/*	950	2.25 (1.01)

\* Designate voltage, i.e., insert "120" for 120 Vac or "240" for 240 Vac. Model numbers containing /120 or /240 are only available in that voltage. For mounting tab specify "-with mounting tabs" as suffix and add \$8.35 to price. **Ordering Example:** SSNHM-14/120, seamless strip heater without mounting tabs, 120 Vac, Monel sheath, \$750.

Dimension: Inches (cm)			Rust-Resisting Iron Sheath				Monel Sheath		
A	B	D	Watts	W/In <sup>2</sup>	Model No.	Price	Model No.	Price	Weight lb (kg)
8 1/8 (21)	7 3/8 (19)	6 5/8 (17)	200	13	SSE-820/120	\$81	SSEM-820/120	\$725	0.65 (0.29)
10 1/8 (27)	9 1/8 (25)	9 1/8 (23)	275	11	SSE-1027/*	82	SSEM-1027/*	750	0.76 (0.34)
12 1/8 (31)	11 1/8 (29)	10 1/8 (27)	320	11	SSE-1232/*	84	SSEM-1232/*	750	0.88 (0.40)
14 1/8 (36)	13 1/8 (34)	12 1/8 (32)	375	10	SSE-1437/*	86	SSEM-1437/*	775	1.0 (0.45)
15 1/8 (39)	14 1/8 (37)	13 1/8 (35)	415	10	SSE-1541/*	87	SSEM-1541/*	775	1.14 (0.51)
18 (46)	17 1/8 (44)	16 1/2 (42)	500	10	SSE-1849/*	89	SSEM-1849/*	800	1.40 (0.64)
19 1/8 (50)	18 1/8 (48)	18 1/8 (46)	550	10	SSE-1955/*	93	SSEM-1955/*	850	1.50 (0.68)
21 1/8 (54)	20 1/8 (52)	19 1/8 (50)	625	10	SSE-2060/*	96	SSEM-2060/*	850	1.63 (0.74)
23 1/8 (61)	23 1/8 (59)	22 3/8 (57)	750	10	SSE-2467/*	98	SSEM-2467/*	875	1.81 (0.82)
25 1/8 (65)	24 1/8 (63)	24 1/8 (61)	800	10	SSE-2572/*	102	SSEM-2572/*	925	2.06 (0.93)
30 1/8 (78)	29 1/8 (75)	28 1/8 (71)	1000	10	SSE-3085/*	117	SSEM-3085/*	1050	2.38 (1.11)
33 1/8 (85)	32 1/8 (82)	31 1/8 (79)	1250	12	SSE-3392/*	123	SSEM-3392/*	1100	2.69 (1.22)
36 (86)	34 1/8 (89)	33 1/8 (85)	1500	13	SSE-3611/*	137	SSEM-3611/*	1200	2.90 (1.33)
38 1/8 (98)	37 1/8 (95)	36 1/8 (93)	1500	12	SSE-3817/*	149	SSEM-3817/*	1300	3.20 (1.45)
42 1/8 (108)	41 1/8 (105)	40 1/8 (102)	1500	11	SSE-4315/*	168	SSEM-4315/*	1500	3.40 (1.54)
48 (122)	46 1/8 (119)	45 1/8 (116)	1650	10	SSE-4816/*	192	SSEM-4816/*	1750	3.80 (1.72)
54 (137)	52 1/8 (133)	51 1/8 (131)	1875	10	SSE-5418/*	225	SSEM-5418/*	2050	4.20 (1.90)
64 (163)	62 1/8 (160)	61 1/8 (156)	2250	10	SSE-6422/240	280	SSEM-6422/240	2500	5.12 (2.32)
72 (183)	70 1/8 (180)	69 1/8 (177)	2550	10	SSE-7225/240	320	SSEM-7225/240	2900	5.75 (2.61)

\* Designate voltage, i.e., insert "120" for 120 Vac or "240" for 240 Vac. Model numbers containing /120 or /240 are only available in that voltage. † To determine maximum allowable watt density, see Figures C-8 and C9 (page 80). For mounting tab specify "-with mounting tabs" as suffix and add \$8.35 to price.

**Ordering Examples:** SSEM-3392/120, seamless strip heater without mounting tabs, 120V, Monel sheath \$1100. SSE-1027/240, rust-resisting iron sheath without mounting tabs, 240V Monel sheath, \$82.

# omega.co.uk<sup>®</sup>

Your One-Stop Source for Process Measurement and Control!

Freephone 0800 488 488 | International +44(0) 161 777 6622 | Fax +44(0) 161 777 6622 | Sales@omega.co.uk

[www.omega.co.uk](http://www.omega.co.uk)



#### UNITED STATES

[www.omega.com](http://www.omega.com)

1-800-TC-OMEGA  
Stamford, CT.

#### CANADA

[www.omega.ca](http://www.omega.ca)

Laval(Quebec)  
1-800-TC-OMEGA

#### GERMANY

[www.omega.de](http://www.omega.de)

Deckenfronn, Germany  
0800-8266342

#### UNITED KINGDOM

[www.omega.co.uk](http://www.omega.co.uk)

Manchester, England  
0800-488-488  
+44-(0)161-777-6611

#### FRANCE

[www.omega.fr](http://www.omega.fr)

0800-466-342

#### BENELUX

[www.omega.nl](http://www.omega.nl)

0800-099-33-44



## More than 100,000 Products Available!

### • Temperature

Calibrators, Connectors, General Test and Measurement Instruments, Handheld Instruments for Temperature Measurement, Ice Point References, Indicating Labels, Crayons, Cements and Lacquers, Infrared Temperature Measurement Instruments, Recorders, Relative Humidity Measurement Instruments, PT100 Probes, PT100 Elements, Temperature & Process Meters, Timers and Counters, Temperature and Process Controllers and Power Switching Devices, Thermistor Elements, Probes and Assemblies, Thermocouples, Thermowells and Head and Well Assemblies, Transmitters, Thermocouple Wire, RTD Probes

### • Flow and Level

Air Velocity Indicators, Doppler Flowmeters, Level Measurement, Magnetic Flowmeters, Mass Flowmeters, Pitot Tubes, Pumps, Rotameters, Turbine and Paddle Wheel Flowmeters, Ultrasonic Flowmeters, Valves, Variable Area Flowmeters, Vortex Shedding Flowmeters

### • pH and Conductivity

Conductivity Instrumentation, Dissolved Oxygen Instrumentation, Environmental Instrumentation, pH Electrodes and Instruments, Water and Soil Analysis Instrumentation

### • Data Acquisition

Communication Products and Converters, Data Acquisition and Analysis Software, Data Loggers Plug-in Cards, Signal Conditioners, USB, RS232, RS485, Ethernet and Parallel Port Data Acquisition Systems, Wireless Transmitters and Receivers

### • Pressure, Strain and Force

Displacement Transducers, Dynamic Measurement Force Sensors, Instrumentation for Pressure and Strain Measurements, Load Cells, Pressure Gauges, Pressure Reference Section, Pressure Switches, Pressure Transducers, Proximity Transducers, Regulators, Pressure Transmitters, Strain Gauges, Torque Transducers, Valves

### • Heaters

Band Heaters, Cartridge Heaters, Circulation Heaters, Comfort Heaters, Controllers, Meters and Switching Devices, Flexible Heaters, General Test and Measurement Instruments, Heater Hook-up Wire, Heating Cable Systems, Immersion Heaters, Process Air and Duct, Heaters, Radiant Heaters, Strip Heaters, Tubular Heaters