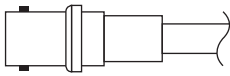
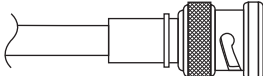

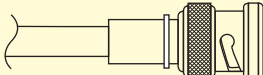




INPUT/OUTPUT CABLES

FOR DYNAMIC SENSORS, POWER SUPPLIES, AND INSTRUMENTATION

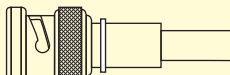
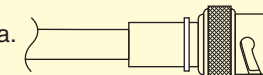
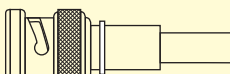

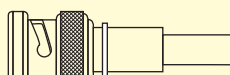

 MOST POPULAR MODELS HIGHLIGHTED!

POWER SUPPLY/ACCELEROMETER INTERFACE CABLES

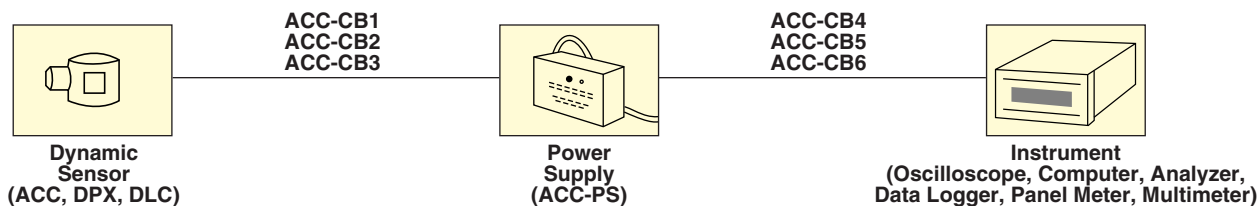
MODEL NO.	CONNECTOR A	CABLE	CONNECTOR B	PRICE
ACC-CB1-6 ACC-CB1-15	 BNC Female	1.83 m (6') 4.58 m (15')	4.8 mm (0.190") Dia. coaxial cable  BNC Male	\$50 80
ACC-CB2-10	 10-32 Male Plug	3.05 m (10') 2.0 mm (0.080") Dia. coaxial cable	 BNC Male	55
ACC-CB3-6 ACC-CB3-15	 4 Pin 1/4-28 Male Plug	1.83 m (6') 4.8 mm (0.190") Dia. coaxial cable 4.58 m (15') for triaxial accelerometers	 4-Pin 1/4-28 Female Plug	160 200

 MOST POPULAR MODELS HIGHLIGHTED!

POWER SUPPLY/INSTRUMENTATION INTERFACE CABLES

MODEL NO.	CONNECTOR A	CABLE	CONNECTOR B	PRICE
ACC-CB4-6 ACC-CB4-15	 BNC Male	1.83 m (6') 4.58 m (15')	4.8 mm (0.190") Dia. coaxial cable  BNC Male	\$65 65
ACC-CB5-2	 BNC Male	0.61 m (2') 4.8 mm (0.190") Dia. coaxial cable	 Banana Plugs	35
ACC-CB6	 BNC Male	0.18 m (7") 20 AWG copper wire	 Pigtails	15

TYPICAL SYSTEM BLOCK DIAGRAM



omega.co.uk[®]

Your One-Stop Source for Process Measurement and Control!

Freephone 0800 488 488 | International +44(0) 161 777 6622 | Fax +44(0) 161 777 6622 | Sales@omega.co.uk

www.omega.co.uk



UNITED STATES

www.omega.com

1-800-TC-OMEGA
Stamford, CT.

CANADA

www.omega.ca

Laval(Quebec)
1-800-TC-OMEGA

GERMANY

www.omega.de

Deckenfronn, Germany
0800-8266342

UNITED KINGDOM

www.omega.co.uk

Manchester, England
0800-488-488
+44-(0)161-777-6611

FRANCE

www.omega.fr

0800-466-342

BENELUX

www.omega.nl

0800-099-33-44



More than 100,000 Products Available!

• Temperature

Calibrators, Connectors, General Test and Measurement Instruments, Handheld Instruments for Temperature Measurement, Ice Point References, Indicating Labels, Crayons, Cements and Lacquers, Infrared Temperature Measurement Instruments, Recorders, Relative Humidity Measurement Instruments, PT100 Probes, PT100 Elements, Temperature & Process Meters, Timers and Counters, Temperature and Process Controllers and Power Switching Devices, Thermistor Elements, Probes and Assemblies, Thermocouples, Thermowells and Head and Well Assemblies, Transmitters, Thermocouple Wire, RTD Probes

• Flow and Level

Air Velocity Indicators, Doppler Flowmeters, Level Measurement, Magnetic Flowmeters, Mass Flowmeters, Pitot Tubes, Pumps, Rotameters, Turbine and Paddle Wheel Flowmeters, Ultrasonic Flowmeters, Valves, Variable Area Flowmeters, Vortex Shedding Flowmeters

• pH and Conductivity

Conductivity Instrumentation, Dissolved Oxygen Instrumentation, Environmental Instrumentation, pH Electrodes and Instruments, Water and Soil Analysis Instrumentation

• Data Acquisition

Communication Products and Converters, Data Acquisition and Analysis Software, Data Loggers Plug-in Cards, Signal Conditioners, USB, RS232, RS485, Ethernet and Parallel Port Data Acquisition Systems, Wireless Transmitters and Receivers

• Pressure, Strain and Force

Displacement Transducers, Dynamic Measurement Force Sensors, Instrumentation for Pressure and Strain Measurements, Load Cells, Pressure Gauges, Pressure Reference Section, Pressure Switches, Pressure Transducers, Proximity Transducers, Regulators, Pressure Transmitters, Strain Gauges, Torque Transducers, Valves

• Heaters

Band Heaters, Cartridge Heaters, Circulation Heaters, Comfort Heaters, Controllers, Meters and Switching Devices, Flexible Heaters, General Test and Measurement Instruments, Heater Hook-up Wire, Heating Cable Systems, Immersion Heaters, Process Air and Duct, Heaters, Radiant Heaters, Strip Heaters, Tubular Heaters