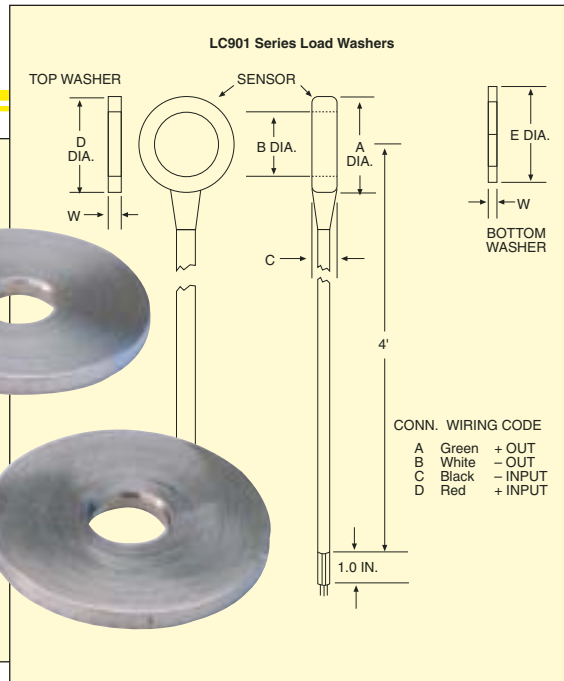


BOLT SENSORS WITH MOUNTING WASHERS

LC900 Series Compression 0-2000 lb to 0-100,000 lb 0-909 kg to 0-45,372 kg

1 Newton = 0.2248 lb
1 daNewton = 10 Newtons
1 lb = 454 g
1 t = 1000 kg = 2204 lb

Starts at
\$290



OMEGA's LC900 Series bolt force sensors are compression load cells designed to measure the clamping force of a bolt. With excellent long-term stability and all stainless steel construction, the LC900 Series delivers high reliability in severe industrial environments. These units are designed to operate by mounting on a flat surface between 2 mounting washers (included).

SPECIFICATIONS

Excitation: 5 Vdc (10 V max)

Output: 2 mV/V nominal

Accuracy: ±3.5% FSO linearity, hysteresis and repeatability combined

Zero Balance: ±4% FSO

Operating Temp Range: -54 to 93°C (-65 to 200°F)

Compensated Temp Range: 16 to 71°C (60 to 160°F)

Thermal Effects:

Zero: ±0.018% FSO/°C

Span: ±0.036% rdg/°C

Safe Overload: 130% of capacity

Ultimate Overload: 150% of capacity

Bridge Resistance: 120 Ω nominal

Construction: Stainless steel

Electrical Connection: 1.2 m (4') insulated shielded cable

Dimensions: mm (in)

SIZE	CAPACITY	BOLT SENSOR			WASHERS		
		A	B	C	D	E	W
¼	2000 lb	25.4 (1.000)	6.76 (0.266)	4.75 (0.187)	19.1 (0.750)	25.4 (1.000)	1.57 (0.062)
¼	5000 lb	25.4 (1.000)	6.76 (0.266)	4.75 (0.187)	19.1 (0.750)	25.4 (1.000)	1.57 (0.062)
⅜	10,000 lb	19.1 (0.750)	10.1 (0.396)	4.75 (0.187)	16.7 (0.656)	19.1 (0.750)	1.57 (0.062)
½	30,000 lb	25.4 (1.000)	13.1 (0.517)	6.35 (0.250)	21.4 (0.844)	25.4 (1.000)	1.98 (0.078)
⅝	50,000 lb	28.6 (1.125)	16.4 (0.644)	6.35 (0.250)	24.6 (0.968)	28.6 (1.125)	1.98 (0.078)
¾	65,000 lb	38.1 (1.500)	19.6 (0.770)	9.53 (0.375)	30.9 (1.218)	38.1 (1.500)	2.36 (0.093)
1½	100,000 lb	66.7 (2.625)	38.9 (1.533)	22.2 (0.875)	63.5 (2.500)	66.7 (2.625)	3.18 (0.125)

MOST POPULAR MODELS HIGHLIGHTED!

To Order (Specify Model Number)

BOLT SIZE	CAPACITY		MODEL NO.	PRICE	COMPATIBLE METERS**
	lb	kg			
LC901 Series—Stripped Ends on Cable					
¼	2000	909	LC901-¼-2K	\$290	DP41-S, DP25B-S, DPiS
¼	5000	2269	LC901-¼-5K	290	DP41-S, DP25B-S, DPiS
⅜	10,000	4537	LC901-⅜-10K	290	DP41-S, DP25B-S, DPiS*
½	30,000	13,612	LC901-½-30K	310	DP41-S, DP25B-S, DPiS*
⅝	50,000	22,686	LC901-⅝-50K	340	DP41-S, DP25B-S, DPiS*
¾	65,000	29,483	LC901-¾-65K	390	DP41-S, DP25B-S, DPiS*
1½	100,000	45,372	LC901-1.5-100K	425	DP41-S, DP25B-S, DPiS*
LC911 Series—with PT06A-10-6S Connector Installed on Cable					
½	30,000	13,612	LC911-½-30K	335	DP41-S, DP25B-S, DPiS*
⅝	50,000	22,686	LC911-⅝-50K	365	DP41-S, DP25B-S, DPiS*
¾	65,000	29,483	LC911-¾-65K	415	DP41-S, DP25B-S, DPiS*

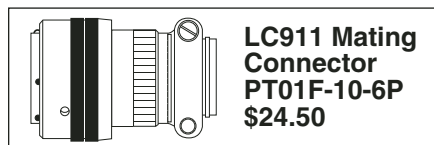
Comes with 2-point NIST-traceable calibration.

* 4-digit meter. ** See section D for compatible meters.

Ordering Examples: LC901-¾-10K, 10,000 lb capacity bolt sensor for a ¾" Dia. bolt, with stripped ends on the leads, \$290. LC911-½-30K, 30,000 lb capacity bolt sensor for a ½" Dia. bolt with a connector installed on the cable, \$335. PT01F10-6P, mating connector (not included), \$24.50.

ACCESSORY

MODEL NO.	PRICE	DESCRIPTION
OP-17	\$15	Reference Book: Measure for Measure



omega.co.uk[®]

Your One-Stop Source for Process Measurement and Control!

Freephone 0800 488 488 | International +44(0) 161 777 6622 | Fax +44(0) 161 777 6622 | Sales@omega.co.uk

www.omega.co.uk



UNITED STATES

www.omega.com

1-800-TC-OMEGA
Stamford, CT.

UNITED KINGDOM

www.omega.co.uk

Manchester, England
0800-488-488
+44-(0)161-777-6611

CANADA

www.omega.ca

Laval(Quebec)
1-800-TC-OMEGA

FRANCE

www.omega.fr

0800-466-342

GERMANY

www.omega.de

Deckenfronn, Germany
0800-8266342

BENELUX

www.omega.nl

0800-099-33-44



More than 100,000 Products Available!

• Temperature

Calibrators, Connectors, General Test and Measurement Instruments, Handheld Instruments for Temperature Measurement, Ice Point References, Indicating Labels, Crayons, Cements and Lacquers, Infrared Temperature Measurement Instruments, Recorders, Relative Humidity Measurement Instruments, PT100 Probes, PT100 Elements, Temperature & Process Meters, Timers and Counters, Temperature and Process Controllers and Power Switching Devices, Thermistor Elements, Probes and Assemblies, Thermocouples, Thermowells and Head and Well Assemblies, Transmitters, Thermocouple Wire, RTD Probes

• Flow and Level

Air Velocity Indicators, Doppler Flowmeters, Level Measurement, Magnetic Flowmeters, Mass Flowmeters, Pitot Tubes, Pumps, Rotameters, Turbine and Paddle Wheel Flowmeters, Ultrasonic Flowmeters, Valves, Variable Area Flowmeters, Vortex Shedding Flowmeters

• pH and Conductivity

Conductivity Instrumentation, Dissolved Oxygen Instrumentation, Environmental Instrumentation, pH Electrodes and Instruments, Water and Soil Analysis Instrumentation

• Data Acquisition

Communication Products and Converters, Data Acquisition and Analysis Software, Data Loggers Plug-in Cards, Signal Conditioners, USB, RS232, RS485, Ethernet and Parallel Port Data Acquisition Systems, Wireless Transmitters and Receivers

• Pressure, Strain and Force

Displacement Transducers, Dynamic Measurement Force Sensors, Instrumentation for Pressure and Strain Measurements, Load Cells, Pressure Gauges, Pressure Reference Section, Pressure Switches, Pressure Transducers, Proximity Transducers, Regulators, Pressure Transmitters, Strain Gauges, Torque Transducers, Valves

• Heaters

Band Heaters, Cartridge Heaters, Circulation Heaters, Comfort Heaters, Controllers, Meters and Switching Devices, Flexible Heaters, General Test and Measurement Instruments, Heater Hook-up Wire, Heating Cable Systems, Immersion Heaters, Process Air and Duct, Heaters, Radiant Heaters, Strip Heaters, Tubular Heaters