

LOW PROFILE BENDING BEAM LOAD CELLS

LCDA Series 0-25 lb to 0-500 lb Capacity

LCDA Series
\$305
All Models



- ✓ Provides Maximum Protection Against Adverse Loads
- ✓ Sealed for Washdown Areas
- ✓ 0.25% Interchangeability
- ✓ Calibration Certificate Provided
- ✓ Exact Full Scale Output Stated for Easy Setup

The model LCDA is a versatile bending beam load cell for tension and compression loading. Compact and low in profile, the LCDA is ruggedly constructed of high-quality alloy steel to provide maximum durability in industrial applications. Each unit is nickel plated for corrosion resistance and sealed to resist moisture.

SPECIFICATIONS

Rated Output: 3 mV/V \pm 0.0075 mV/V (actual output supplied with each load cell)
Excitation: 10 Vdc (15 Vdc maximum)
Calibration: In compression
Full Scale Linearity: 0.03% FS
Hysteresis: 0.02% FS
Repeatability: 0.01% FS
Zero Balance: 1% FS
Creep in 20 min: 0.03% FS
Operating Temperature: 0 to 150°F (-18 to 66°C)
Compensated Temperature: 0 to 150°F (-18 to 66°C)
Thermal Effects:
Zero: 0.0015% FS/°F
Span: 0.0008% RDG/°F

Maximum Load: 150% FS

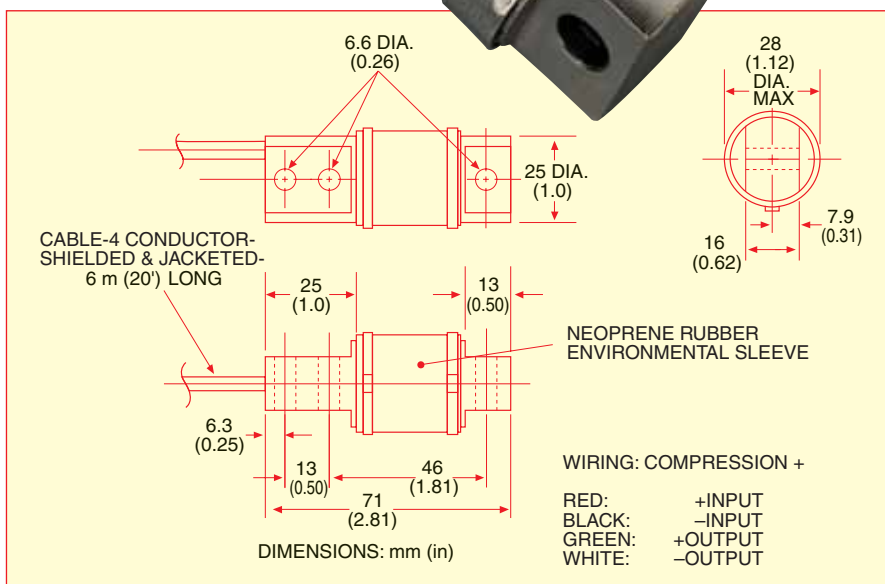
Bridge Resistance: 350 Ω nominal

Construction: Nickel-plated steel, neoprene boot with SS clamps

Cable: 6 m (20') 4-conductor shielded 22-gage wire



LCDA-75, \$305, shown larger than actual size.



MOST POPULAR MODELS HIGHLIGHTED!

To Order (Specify Model Number)

MODEL NO.	PRICE	RATED CAPACITY	DEFL.	COMPATIBLE METERS*
LCDA-25	\$305	25 lb	0.008	DP3002-S, DP87, DP41-S, DP25-S
LCDA-50	305	50 lb	0.008	DP3002-S, DP87, DP41-S, DP25-S
LCDA-75	305	75 lb	0.010	DP3002-S, DP87, DP41-S, DP25-S
LCDA-100	305	100 lb	0.010	DP3002-S, DP87, DP41-S, DP25-S
LCDA-150	305	150 lb	0.012	DP3002-S, DP87, DP41-S, DP25-S
LCDA-250	305	250 lb	0.016	DP3002-S, DP87, DP41-S, DP25-S
LCDA-500	305	500 lb	0.023	DP3002-S, DP87, DP41-S, DP25-S

* See section D for compatible meters.

Ordering Example: LCDA-100, low-profile bending beam load cell with a capacity of 100 lb, \$305.

ACCESSORY

MODEL NO.	PRICE	DESCRIPTION
GE-2473	\$110	Reference Book: Foundations of Food Preparation

omega.co.uk[®]

Your One-Stop Source for Process Measurement and Control!

Freephone 0800 488 488 | International +44(0) 161 777 6622 | Fax +44(0) 161 777 6622 | Sales@omega.co.uk

www.omega.co.uk



UNITED STATES

www.omega.com

1-800-TC-OMEGA
Stamford, CT.

UNITED KINGDOM

www.omega.co.uk

Manchester, England
0800-488-488
+44-(0)161-777-6611

CANADA

www.omega.ca

Laval(Quebec)
1-800-TC-OMEGA

FRANCE

www.omega.fr

0800-466-342

GERMANY

www.omega.de

Deckenfronn, Germany
0800-8266342

BENELUX

www.omega.nl

0800-099-33-44



More than 100,000 Products Available!

• Temperature

Calibrators, Connectors, General Test and Measurement Instruments, Handheld Instruments for Temperature Measurement, Ice Point References, Indicating Labels, Crayons, Cements and Lacquers, Infrared Temperature Measurement Instruments, Recorders, Relative Humidity Measurement Instruments, PT100 Probes, PT100 Elements, Temperature & Process Meters, Timers and Counters, Temperature and Process Controllers and Power Switching Devices, Thermistor Elements, Probes and Assemblies, Thermocouples, Thermowells and Head and Well Assemblies, Transmitters, Thermocouple Wire, RTD Probes

• Flow and Level

Air Velocity Indicators, Doppler Flowmeters, Level Measurement, Magnetic Flowmeters, Mass Flowmeters, Pitot Tubes, Pumps, Rotameters, Turbine and Paddle Wheel Flowmeters, Ultrasonic Flowmeters, Valves, Variable Area Flowmeters, Vortex Shedding Flowmeters

• pH and Conductivity

Conductivity Instrumentation, Dissolved Oxygen Instrumentation, Environmental Instrumentation, pH Electrodes and Instruments, Water and Soil Analysis Instrumentation

• Data Acquisition

Communication Products and Converters, Data Acquisition and Analysis Software, Data Loggers Plug-in Cards, Signal Conditioners, USB, RS232, RS485, Ethernet and Parallel Port Data Acquisition Systems, Wireless Transmitters and Receivers

• Pressure, Strain and Force

Displacement Transducers, Dynamic Measurement Force Sensors, Instrumentation for Pressure and Strain Measurements, Load Cells, Pressure Gauges, Pressure Reference Section, Pressure Switches, Pressure Transducers, Proximity Transducers, Regulators, Pressure Transmitters, Strain Gauges, Torque Transducers, Valves

• Heaters

Band Heaters, Cartridge Heaters, Circulation Heaters, Comfort Heaters, Controllers, Meters and Switching Devices, Flexible Heaters, General Test and Measurement Instruments, Heater Hook-up Wire, Heating Cable Systems, Immersion Heaters, Process Air and Duct, Heaters, Radiant Heaters, Strip Heaters, Tubular Heaters