

# 19 mm DIAMETER STAINLESS STEEL COMPRESSION LOAD CELL

## 0-100 N TO 0-5000 N CAPACITIES

### LCM302 Series

**Compression**  
**0-100 N to 0-5000 N**

1 Newton = 0.2248 lb  
1 daNewton = 10 Newtons  
1 lb = 454 g  
1 t = 1000 kg = 2204 lb

All Models  
**£198**

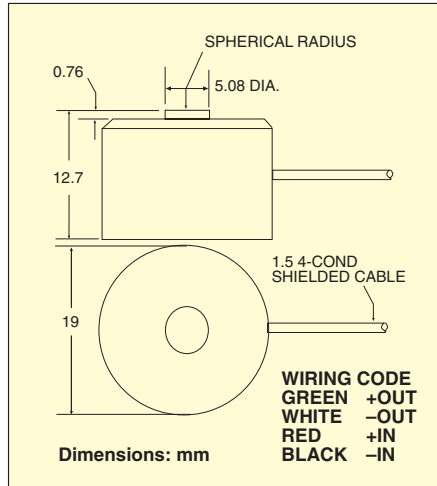


- ✓ Small 19 mm Dia.
- ✓ Low 13 mm Profile
- ✓ Robotic and Test Bench Applications
- ✓ Built-In Load Button for Easy Installation
- ✓ 5-Point Traceable Calibration Provided

The LCM302 Series load cells are only 19 mm in diameter and fit in the smallest places. Their high  $\pm 0.5\%$  accuracy and small package solve many industrial force measurement applications. The all stainless steel construction and high-quality strain gauge ensure long-term reliability in industrial environments.

#### SPECIFICATIONS

**Excitation:** 10 Vdc, 15 Vdc max  
**Output:** 1 mV/V (nominal)  
**Accuracy:**  $\pm 0.5\%$  FSO linearity, hysteresis, repeatability combined  
**5-Point Calibration:** 0%, 50%, 100%, 50%, 0%  
**Zero Balance:**  $\pm 2\%$  FSO  
**Deflection:** 0.025 to 0.075 mm  
**Operating Temp Range:** -54 to 121°C  
**Compensated Temp Range:** 16 to 71°C  
**Thermal Effects:**  
**Zero:** 0.009% FSO/°C  
**Span:** 0.036% FSO/°C  
**Safe Overload:** 150% of capacity



LCM302-1KN, £198, shown actual size.

CNI8DH strain meter/  
controller, £268, shown  
smaller than actual size.  
See page 318 for details.



**Ultimate Overload:** 300% of capacity  
**Bridge Resistance:** 350  $\Omega$  minimum  
**Construction:** Stainless steel

**Electrical:** 1.5 m 4-conductor  
screened cable with  
compensation board

**MOST POPULAR MODELS HIGHLIGHTED!**

#### To Order (Specify Model Number)

CAPACITY		MODEL NO.	PRICE	COMPATIBLE METERS*
N	lb			
100	22.5	LCM302-100N	£198	iSeries, DP41-B, DP25B-S
200	45	LCM302-200N	198	iSeries, DP41-B, DP25B-S
500	112	LCM302-500N	198	iSeries, DP41-B, DP25B-S
1000	225	LCM302-1KN	198	iSeries, DP41-B, DP25B-S
2000	450	LCM302-2KN	198	iSeries, DP41-B, DP25B-S
5000	1124	LCM302-5KN	198	iSeries, DP41-B, DP25B-S

Comes with 5-point traceable calibration.

\* See page 291 for compatible meters.

**Ordering Examples:** LCM302-100N, 100 Newton capacity load cell, £198.  
LCM302-2KN, 2000 N capacity load cell, £198.

#### ACCESSORY

MODEL NO.	PRICE	DESCRIPTION
ME-1804	£84	Reference Book: Mechanical Design Handbook



#### UNITED STATES

[www.omega.com](http://www.omega.com)

1-800-TC-OMEGA

Stamford, CT.

#### CANADA

[www.omega.ca](http://www.omega.ca)

Laval(Quebec)

1-800-TC-OMEGA

#### GERMANY

[www.omega.de](http://www.omega.de)

Deckenpfronn, Germany

0800-8266342

#### UNITED KINGDOM

[www.omega.co.uk](http://www.omega.co.uk)

Manchester, England

0800-488-488

#### FRANCE

[www.omega.fr](http://www.omega.fr)

088-466-342

#### CZECH REPUBLIC

[www.omegaeng.cz](http://www.omegaeng.cz)

Karviná, Czech Republic

596-311-899

#### BENELUX

[www.omega.nl](http://www.omega.nl)

0800-099-33-44



## More than 100,000 Products Available!

### • Temperature

Calibrators, Connectors, General Test and Measurement Instruments, Handheld Instruments for Temperature Measurement, Ice Point References, Indicating Labels, Crayons, Cements and Lacquers, Infrared Temperature Measurement Instruments, Recorders, Relative Humidity Measurement Instruments, PT100 Probes, PT100 Elements, Temperature & Process Meters, Timers and Counters, Temperature and Process Controllers and Power Switching Devices, Thermistor Elements, Probes and Assemblies, Thermocouples, Thermowells and Head and Well Assemblies, Transmitters, Thermocouple Wire, RTD Probes

### • Flow and Level

Air Velocity Indicators, Doppler Flowmeters, Level Measurement, Magnetic Flowmeters, Mass Flowmeters, Pitot Tubes, Pumps, Rotameters, Turbine and Paddle Wheel Flowmeters, Ultrasonic Flowmeters, Valves, Variable Area Flowmeters, Vortex Shedding Flowmeters

### • pH and Conductivity

Conductivity Instrumentation, Dissolved Oxygen Instrumentation, Environmental Instrumentation, pH Electrodes and Instruments, Water and Soil Analysis Instrumentation

### • Data Acquisition

Auto-Dialers and Alarm Monitoring Systems, Communication Products and Converters, Data Acquisition and Analysis Software, Data Loggers Plug-in Cards, Signal Conditioners, USB, RS232, RS485 and Parallel Port Data Acquisition Systems, Wireless Transmitters and Receivers

### • Pressure, Strain and Force

Displacement Transducers, Dynamic Measurement Force Sensors, Instrumentation for Pressure and Strain Measurements, Load Cells, Pressure Gauges, Pressure Reference Section, Pressure Switches, Pressure Transducers, Proximity Transducers, Regulators, Pressure Transmitters, Strain Gauges, Torque Transducers, Valves

### • Heaters

Band Heaters, Cartridge Heaters, Circulation Heaters, Comfort Heaters, Controllers, Meters and Switching Devices, Flexible Heaters, General Test and Measurement Instruments, Heater Hook-up Wire, Heating Cable Systems, Immersion Heaters, Process Air and Duct, Heaters, Radiant Heaters, Strip Heaters, Tubular Heaters