

# 25.4 mm DIAMETER STAINLESS STEEL COMPRESSION LOAD CELL 0-100 TO 0-50,000 N CAPACITIES

## LCM304 Series

**Compression**  
**0-100 N to 0-50,000 N**

1 Newton = 0.2248 lb  
1 daNewton = 10 Newtons  
1 lb = 454 g  
1 t = 1000 kg = 2204 lb

All Models  
**£198**



- ✓ Heavy-Duty Design
- ✓ Built-In Load Button for Easy Installation
- ✓ Miniature 25 mm Diameter and 25 mm High Case
- ✓ 5-Point Calibration Provided

OMEGA's LCM304 Series load cells offer the highest output of all miniature load cells. Their small 25 mm diameter makes it easy to mount them in a pocket or on a flat surface. The rugged stainless steel case and high-quality construction ensure reliability in severe industrial environments.

### SPECIFICATIONS

**Excitation:** 10 Vdc, 15 Vdc max

**Output:** 2 mV/V nominal

**Accuracy:** ±0.5% FSO linearity, hysteresis, repeatability combined

**5-Point Calibration:**

0%, 50%, 100%, 50%, 0%

**Zero Balance:** ±2% FSO

**Operating Temp Range:** -54 to 107°C

**Compensated Temp Range:** 16 to 71°C

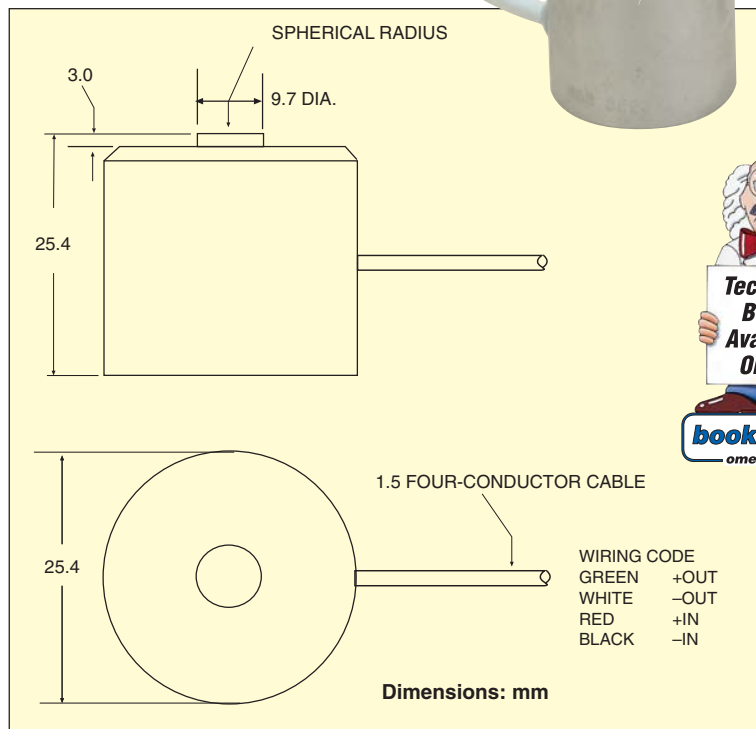
**Deflection:** 0.025 to 0.076 mm

**Thermal Effects:**

**Zero:** 0.009% FSO/°C

**Span:** 0.036% FSO/°C

LCM304-2KN, £198,  
shown actual size.



**Safe Overload:** 150% of capacity  
**Ultimate Overload:** 300% of capacity  
**Bridge Resistance:** 360 Ω minimum

**Construction:** Stainless steel  
**Electrical:** 1.5 m 4-conductor cable

**MOST POPULAR MODELS HIGHLIGHTED!**

### To Order (Specify Model Number)

CAPACITY		MODEL NO.	PRICE	COMPATIBLE METERS*
N	lb			
100	22.5	LCM304-100N	£198	DP41-B, DP25B-S, iSeries
200	45	LCM304-200N	198	DP41-B, DP25B-S, iSeries
300	112	LCM304-300N	198	DP41-B, DP25B-S, iSeries
500	225	LCM304-500N	198	DP41-B, DP25B-S, iSeries
2000	450	LCM304-2KN	198	DP41-B, DP25B-S, iSeries
5000	1124	LCM304-5KN	198	DP41-B, DP25B-S, iSeries
10,000	2248	LCM304-10KN	198	DP41-B, DP25B-S, iSeries
20,000	4496	LCM304-20KN	198	DP41-B, DP25B-S, iSeries
50,000	11,240	LCM304-50KN	198	DP41-B, DP25B-S, iSeries

Comes with 5-point traceable calibration.

\* See page 291 for compatible meters.

**Ordering Examples:** LCM304-100N, 100 N capacity load cell, £198. LCM304-5KN, 5000 N capacity load cell, £198.

### ACCESSORY

MODEL NO.	PRICE	DESCRIPTION
OP-17	£10	Reference Book: Measure for Measure

# omega.co.uk<sup>®</sup>

Your One-Stop Source for Process Measurement and Control!

Freephone 0800 488 488 | International +44(0) 161 777 6622 | Fax +44(0) 161 777 6622 | Sales@omega.co.uk

[www.omega.co.uk](http://www.omega.co.uk)



#### UNITED STATES

[www.omega.com](http://www.omega.com)

1-800-TC-OMEGA

Stamford, CT.

#### CANADA

[www.omega.ca](http://www.omega.ca)

Laval(Quebec)

1-800-TC-OMEGA

#### GERMANY

[www.omega.de](http://www.omega.de)

Deckenpfronn, Germany

0800-8266342

#### UNITED KINGDOM

[www.omega.co.uk](http://www.omega.co.uk)

Manchester, England

0800-488-488

#### FRANCE

[www.omega.fr](http://www.omega.fr)

088-466-342

#### CZECH REPUBLIC

[www.omegaeng.cz](http://www.omegaeng.cz)

Karviná, Czech Republic

596-311-899

#### BENELUX

[www.omega.nl](http://www.omega.nl)

0800-099-33-44



## More than 100,000 Products Available!

### • Temperature

Calibrators, Connectors, General Test and Measurement Instruments, Handheld Instruments for Temperature Measurement, Ice Point References, Indicating Labels, Crayons, Cements and Lacquers, Infrared Temperature Measurement Instruments, Recorders, Relative Humidity Measurement Instruments, PT100 Probes, PT100 Elements, Temperature & Process Meters, Timers and Counters, Temperature and Process Controllers and Power Switching Devices, Thermistor Elements, Probes and Assemblies, Thermocouples, Thermowells and Head and Well Assemblies, Transmitters, Thermocouple Wire, RTD Probes

### • Flow and Level

Air Velocity Indicators, Doppler Flowmeters, Level Measurement, Magnetic Flowmeters, Mass Flowmeters, Pitot Tubes, Pumps, Rotameters, Turbine and Paddle Wheel Flowmeters, Ultrasonic Flowmeters, Valves, Variable Area Flowmeters, Vortex Shedding Flowmeters

### • pH and Conductivity

Conductivity Instrumentation, Dissolved Oxygen Instrumentation, Environmental Instrumentation, pH Electrodes and Instruments, Water and Soil Analysis Instrumentation

### • Data Acquisition

Auto-Dialers and Alarm Monitoring Systems, Communication Products and Converters, Data Acquisition and Analysis Software, Data Loggers Plug-in Cards, Signal Conditioners, USB, RS232, RS485 and Parallel Port Data Acquisition Systems, Wireless Transmitters and Receivers

### • Pressure, Strain and Force

Displacement Transducers, Dynamic Measurement Force Sensors, Instrumentation for Pressure and Strain Measurements, Load Cells, Pressure Gauges, Pressure Reference Section, Pressure Switches, Pressure Transducers, Proximity Transducers, Regulators, Pressure Transmitters, Strain Gauges, Torque Transducers, Valves

### • Heaters

Band Heaters, Cartridge Heaters, Circulation Heaters, Comfort Heaters, Controllers, Meters and Switching Devices, Flexible Heaters, General Test and Measurement Instruments, Heater Hook-up Wire, Heating Cable Systems, Immersion Heaters, Process Air and Duct, Heaters, Radiant Heaters, Strip Heaters, Tubular Heaters