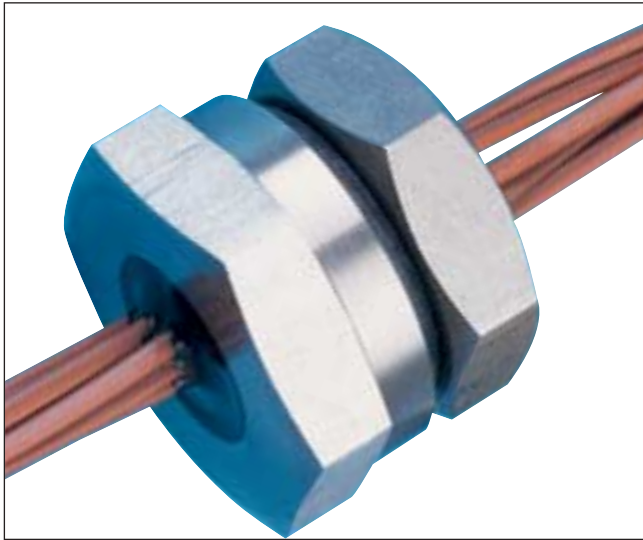


# Vacuum/Pressure Feedthroughs

## Hermetic Face Seal



From  
£349

- 135bar Pressure Rating
- $10^{-8}$  Torr Vacuum Rating
- Copper and Thermocouple Wire
- 8 Wire Pairs for 8 Thermocouples
- Teflon® Insulated Wire
- Nitrile O-Ring and Jam Nut
- Each Unit Tested for Reliability

### Chemical Exposure

**Compatible:** Oil, Solvents, Refrigerants, Water, Non-Corrosive Gases

**Avoid:** Strong acids and bases

### Specifications

**Material:** 300 series SS; nitrile o-ring

**Maximum Pressure:** 135bar

**Leak Rates, Pressure:**  $1 \times 10^{-6}$  cc air/s at 135bar;  $1 \times 10^{-7}$  cc air/s at 1bar vacuum

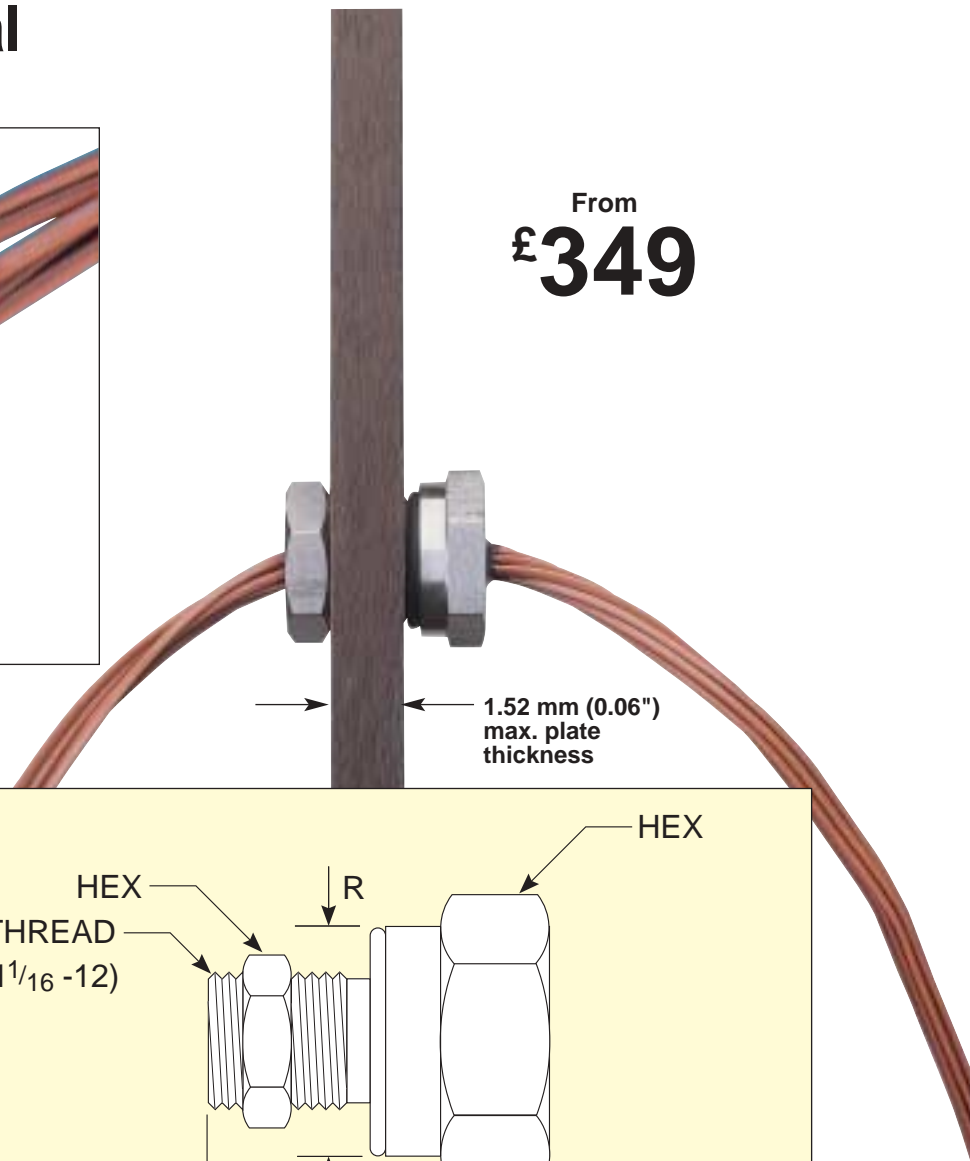
**Vacuum Limit:**  $1 \times 10^{-8}$  Torr

**Leak Rates, Vacuum:**  $1 \times 10^{-8}$  cc He/s at 1bar;  $1 \times 10^{-8}$  cc He/s at  $10^{-8}$  Torr

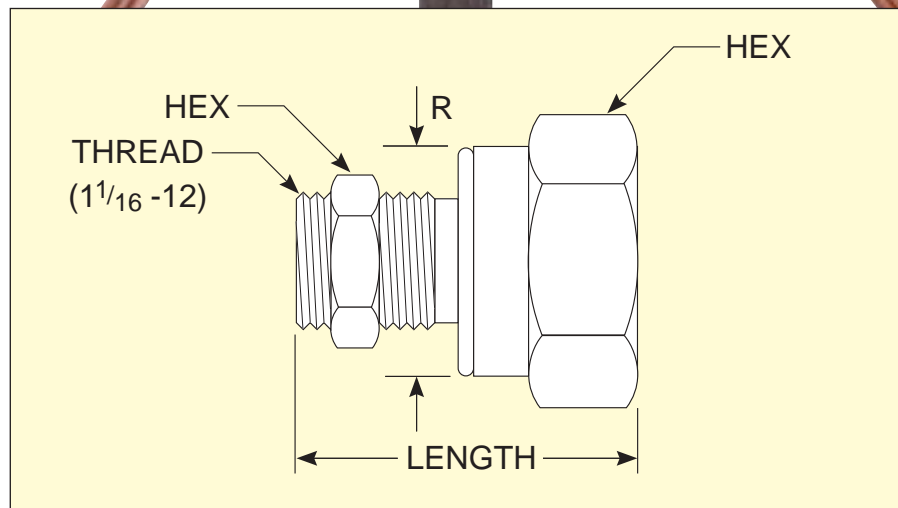
**Temperature Limits:** -40 to +120°C (-40 to 250°F)

**Out Gassing:** <0.003% VCM; <0.34% weight loss; sample at 125°C, surface at 25°C

**Wire:** 20 AWG solid with Teflon® insulation; 1.22m L (48"), -200 to 200°C rating



1.52 mm (0.06")  
max. plate  
thickness



Area mm (in.)	Thread	Across Flats Hex mm (in.)	O-Ring Face R mm (in.)	Length mm (in.)	Max. Plate Thickness	
					With Nut mm (in.)	Without Nut mm (in.)
9.01 (0.357)	(1 1/16-12)	38.10 (1.50)	33.63 (1.324)	30.23 (1.19)	1.52 (0.06)	14.22 (0.56)

### To Order (Specify Model Number)

Model Number	Price	Wire	No. of Pairs
PFTFS-8CU	£349	Cu	8
PFTFS-8(*)	385	T/C	8

\*Specify thermocouple type: J, K, T or E

**Ordering Example:** PFTFS-8K, Hermetic feedthrough, face seal design, for 8 type K thermocouples, £385.

