

DIFFERENTIAL PRESSURE GAUGES UNIDIRECTIONAL OR BIDIRECTIONAL

PGD-45 Series

20 to 500 psi

Unidirectional or Bidirectional

Starts at
\$825



PGD-45L-30, \$825, shown smaller than actual size. See next page for dimensions.



PGD-45B-30/30, \$835, shown smaller than actual size. See next page for dimensions.

- ✓ Heavy-Duty Construction
- ✓ Double-Strength, Shatter-Resistant Glass
- ✓ 2-1-2% ANSI Grade A Accuracy

OMEGA's PGD Series differential pressure gauges are rugged industrial gauges that indicate the difference between 2 input connections. Differential ranges provide the maximum resolution for applications in which one input is always at a higher pressure than the other. In cases in which one input can be higher or lower than the other, a bidirectional differential range should be used.

The PGD Series is constructed with 2 independent Bourdon tubes. The opposing Bourdon tubes are linked

to a single pinion gear that rotates a pointer for direct pressure readings. By using 2 independent Bourdon tubes, the gauge can handle liquids or gases on either or both ports.

The large 4½" dial makes reading pressure easy. Each gauge is equipped with a micrometer adjustment for rezeroing the gauge. Gauges are available with ports located in the lower (six o'clock) position or in the rear (for panel mounting).

PGD Series gauges are available with ports located in the back of the gauge (shown at left), or in the lower (six o'clock) position (shown at right).

SPECIFICATIONS

Accuracy: 2-1-2%, ANSI Grade A
2% first 10%, 1% middle 80%,
2% top 10%

Dial Size: 4½"

Dial Arc: 210°

Window: Double-strength glass

Connection: ¼ MNPT

Sensor Type: Bourdon tube

Wetted Parts:

Tube: Bronze

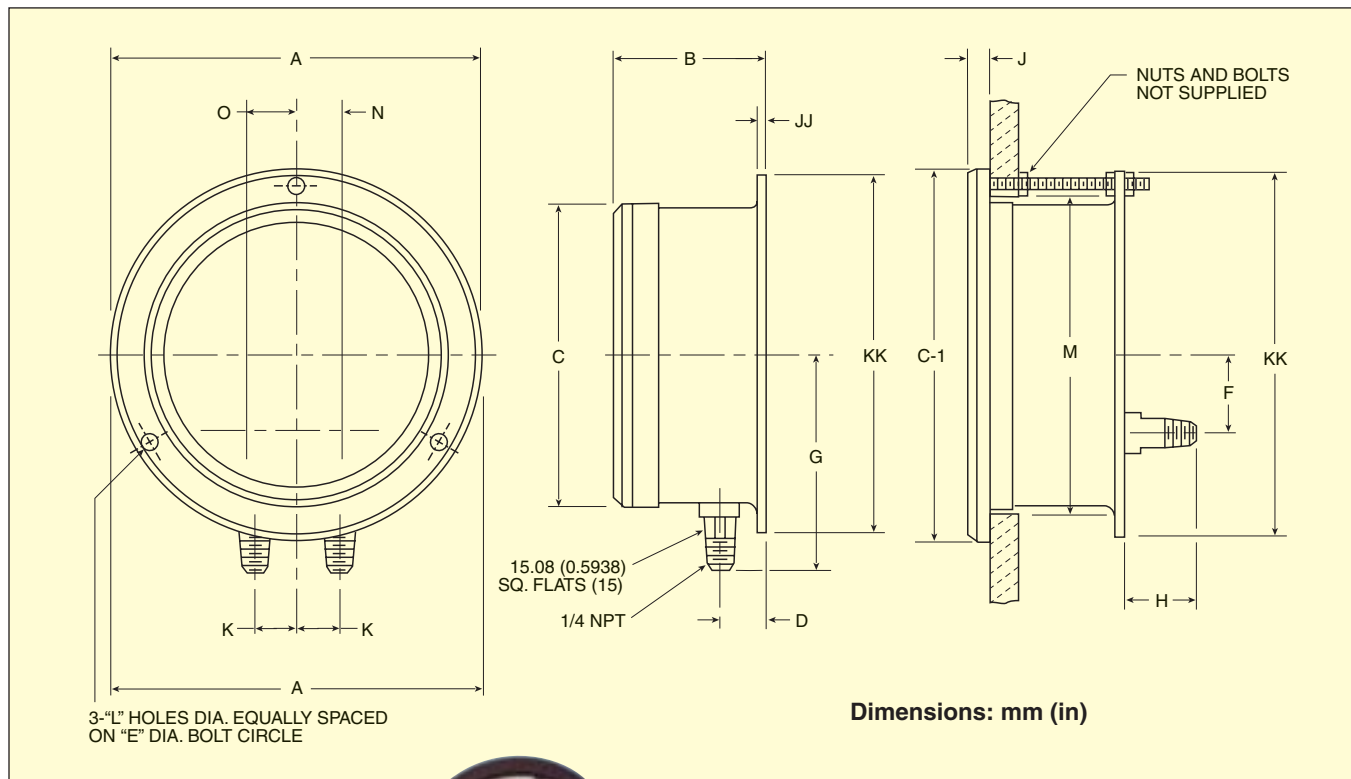
Fittings: Brass

Case: Black epoxy-coated aluminum

Operating Temperature: 65°C (150°F)

Weight: 1.4 kg (3 lb)

DIFFERENTIAL OR BIDIRECTIONAL RANGES



PGD-45B-30/30, \$835, shown smaller than actual size. See below for dimensions.



PGD-45L-30, \$825, shown smaller than actual size. See below for dimensions.

MOST POPULAR RANGES HIGHLIGHTED!

| RANGE CODE | RANGE (psi) | FIGURE INTERVAL | MINOR GRADUATION | STATIC PRES. LIMIT (psi)* |
|------------|-------------|-----------------|------------------|---------------------------|
| 20 | 0/20 | 5 | 0.2 | 30 |
| 30 | 0/30 | 5 | 0.5 | 60 |
| 60 | 0/60 | 10 | 1 | 120 |
| 100 | 0/100 | 10 | 1 | 200 |
| 200 | 0/200 | 20 | 2 | 300 |
| 600 | 0/600 | 100 | 10 | 900 |
| 1K | 0/1000 | 100 | 10 | 1500 |
| 15/15 | 15/0/15 | 5 | 0.5 | 60 |
| 30/30 | 30/0/30 | 10 | 1 | 120 |
| 50/50 | 50/0/50 | 10 | 1 | 200 |
| 100/100 | 100/0/100 | 20 | 2 | 300 |
| 200/200 | 200/0/200 | 50 | 5 | 600 |
| 500/500 | 500/0/500 | 100 | 10 | 1500 |

To Order (Specify Model Number)

| MODEL NO. | DIAL SIZE | CONNECTION | PRICE |
|-------------|-----------|------------|-------|
| PGD-45B-(*) | 4½" | Back | \$835 |
| PGD-45L-(*) | 4½" | Lower | 825 |

* Insert range code from table at left.

Ordering Example: PGD-45B-30, 114 mm (4½") differential pressure gauge with back input connection and 0 to 30 psi unidirectional range, \$835.

* Maximum pressure that can be applied to either port on the gauge. PGD-FMR, black flush mount ring for panel mounting, \$25.

ACCESSORY

| MODEL NO. | PRICE | DESCRIPTION |
|-----------|-------|-----------------------------------|
| CM-4427 | \$95 | Reference Book: Liquid Filtration |

Dimensions: mm (in)

| GAUGE SIZE | A | B | C | C1 | D | E | F | G | H | J | K | L | M | N | O | JJ | KK |
|------------|-------------|------------|-------------|-------------|------------|-------------|------------|------------|------------|----------|-----------|----------|-------------|-----------|-----------|----------|-------------|
| 4½" | 149 (5⅞) | 82 (3⅜) | 126 (4⅝) | 149 (5⅞) | 26 (1⅛) | 137 (5⅜) | 27 (1⅛) | 91 (3⅝) | 40 (1⅞) | 5 (⅜) | 15 (⅝) | 6 (⅞) | 125 (4⅝) | 17 (⅔) | 17 (⅔) | 3 (⅛) | 148 (5⅝) |

omega.co.uk[®]

Your One-Stop Source for Process Measurement and Control!

Freephone 0800 488 488 | International +44(0) 161 777 6622 | Fax +44(0) 161 777 6622 | Sales@omega.co.uk

www.omega.co.uk



UNITED STATES

www.omega.com

1-800-TC-OMEGA
Stamford, CT.

UNITED KINGDOM

www.omega.co.uk

Manchester, England
0800-488-488
+44-(0)161-777-6611

CANADA

www.omega.ca

Laval(Quebec)
1-800-TC-OMEGA

FRANCE

www.omega.fr

0800-466-342

GERMANY

www.omega.de

Deckenfronn, Germany
0800-8266342

BENELUX

www.omega.nl

0800-099-33-44



More than 100,000 Products Available!

• Temperature

Calibrators, Connectors, General Test and Measurement Instruments, Handheld Instruments for Temperature Measurement, Ice Point References, Indicating Labels, Crayons, Cements and Lacquers, Infrared Temperature Measurement Instruments, Recorders, Relative Humidity Measurement Instruments, PT100 Probes, PT100 Elements, Temperature & Process Meters, Timers and Counters, Temperature and Process Controllers and Power Switching Devices, Thermistor Elements, Probes and Assemblies, Thermocouples, Thermowells and Head and Well Assemblies, Transmitters, Thermocouple Wire, RTD Probes

• Flow and Level

Air Velocity Indicators, Doppler Flowmeters, Level Measurement, Magnetic Flowmeters, Mass Flowmeters, Pitot Tubes, Pumps, Rotameters, Turbine and Paddle Wheel Flowmeters, Ultrasonic Flowmeters, Valves, Variable Area Flowmeters, Vortex Shedding Flowmeters

• pH and Conductivity

Conductivity Instrumentation, Dissolved Oxygen Instrumentation, Environmental Instrumentation, pH Electrodes and Instruments, Water and Soil Analysis Instrumentation

• Data Acquisition

Communication Products and Converters, Data Acquisition and Analysis Software, Data Loggers Plug-in Cards, Signal Conditioners, USB, RS232, RS485, Ethernet and Parallel Port Data Acquisition Systems, Wireless Transmitters and Receivers

• Pressure, Strain and Force

Displacement Transducers, Dynamic Measurement Force Sensors, Instrumentation for Pressure and Strain Measurements, Load Cells, Pressure Gauges, Pressure Reference Section, Pressure Switches, Pressure Transducers, Proximity Transducers, Regulators, Pressure Transmitters, Strain Gauges, Torque Transducers, Valves

• Heaters

Band Heaters, Cartridge Heaters, Circulation Heaters, Comfort Heaters, Controllers, Meters and Switching Devices, Flexible Heaters, General Test and Measurement Instruments, Heater Hook-up Wire, Heating Cable Systems, Immersion Heaters, Process Air and Duct, Heaters, Radiant Heaters, Strip Heaters, Tubular Heaters