

OMEGA® COMMERCIAL PANEL GAUGES TYPE P

PGP Series

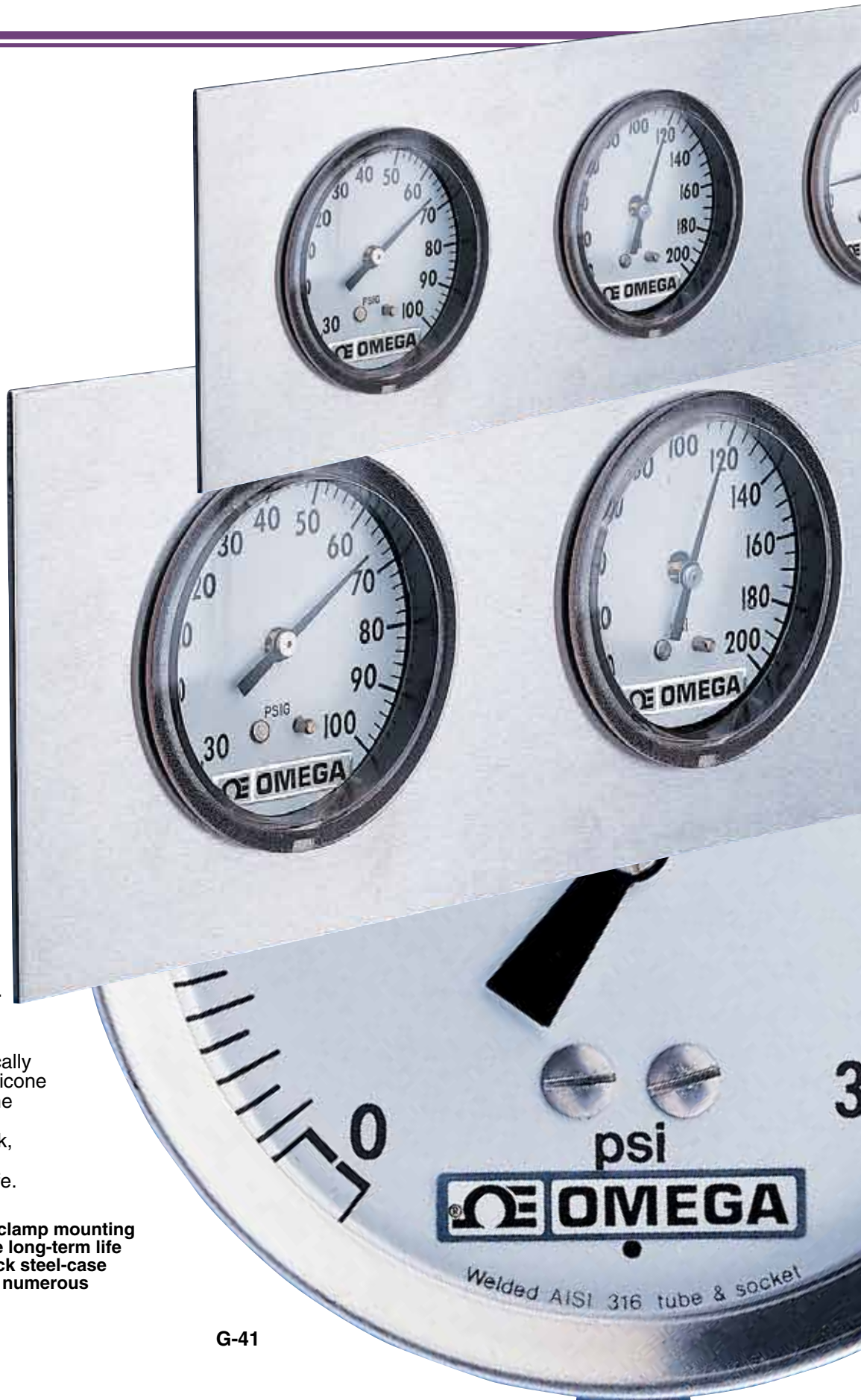


- ✓ Durable and Accurate Design
- ✓ U-Clamp Mount
- ✓ 2½" Dials
- ✓ For Use in a Wide Variety of Applications

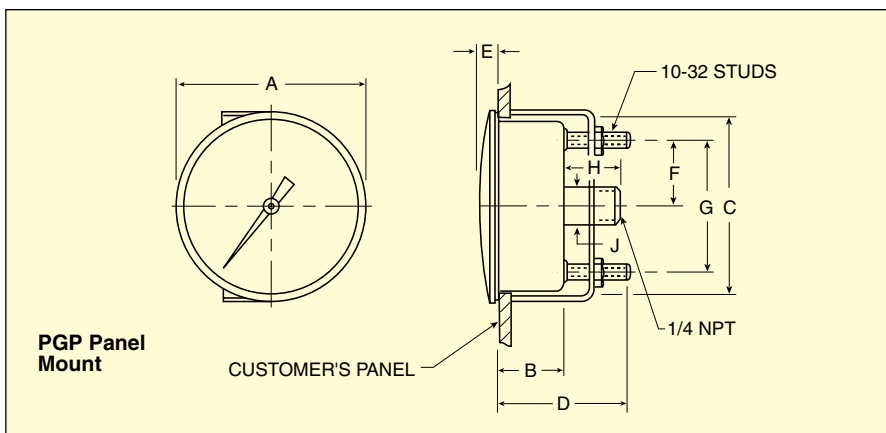
OMEGA® panel gauges use a U-clamp mounting system. The attractive black-painted, steel-case gauges are designed for use on instrument panels, air conditioning equipment, air and gas dryers, machine tools, air compressors, pressure test stands, and a wide variety of other panel gauge applications. The panel gauges use the unique OMEGA® spring-suspended movement. The entire movement is suspended between 2 springs, with the Bourdon tube above and the link below. Wearing parts have been reduced to a minimum.

Movement parts are ultrasonically cleaned and lubricated with silicone oil to ensure long cycle life. The OMEGA® spring-suspended movement is resistant to shock, pulsation, and vibration, thus contributing to longer gauge life.

OMEGA® panel gauges, with U-clamp mounting system, are durable and feature long-term life and stability. The attractive black steel-case gauges are designed for use in numerous panel gauge applications.



HOW TO ORDER PANEL-MOUNT GAUGES



Dimensions: mm (inch)

DIAL SIZE	A	B	C	D	E	F	G	H	J
63.5 (2½)	73 (2¾)	25 (1)	68 (2⅙)	51 (2)	7 (⅞)	25 (1)	51 (2)	22 (⅞)	14 sq (⅝) sq

SPECIFICATIONS

- Case:** Painted steel
- Window:** Polycarbonate plastic
- Bourdon Tube:** Bronze
- Connection:** Back
- Fitting:** ¼ NPT brass
- Dial Size:** 2½" Dia.
- Mounting:** "U" bracket
- Ranges:** Vacuum through 400 psi
- Accuracy:** 3-2-3%
3% first 10%, 2% middle 80%, 3% last 10%
- Temperature:** 66°C (150°F) maximum

Warning: To prevent misapplication, all gauge components should be chosen with an eye to the media and ambient operating conditions to which they will be subjected. Improper application can be detrimental to the gauge, causing failure and possible personal injury and property damage.

RANGE CODE	RANGE
30V	30/0 inHg vac
30V/15	30 inHg vac to 15 psi
30V/30	30 inHg vac to 30 psi
30V/60	30 inHg vac to 60 psi
30V/100	30 inHg vac to 100 psi
30V/300	30 inHg vac to 300 psi
15	0 to 15 psi
30	0 to 30 psi
60	0 to 60 psi
100	0 to 100 psi
160	0 to 160 psi
200	0 to 200 psi
300	0 to 300 psi
400	0 to 400 psi

DIAL SIZE	MODEL NO.	CONNECTION
2½"	PGP-25B-[*]	Back

* Insert range code from table above.

Ordering Example: PGP-25B-100, pressure gauge, commercial panel type, U-clamp mount, 2½" dial, back connection, 0 to 100 psi range.