



# LOW COST LIQUID-FILLABLE UTILITY GAUGES

## PGUF Series

Starts at  
**\$16<sup>25</sup>**

- ✓ Dual Scales in psi and bar Standard
- ✓ Economically Priced
- ✓ 2.5% Full Scale Accuracy
- ✓ 38, 50, or 63 mm Dia. (1½, 2, or 2½" Dia.)
- ✓ Center Back or Lower Mount Fittings

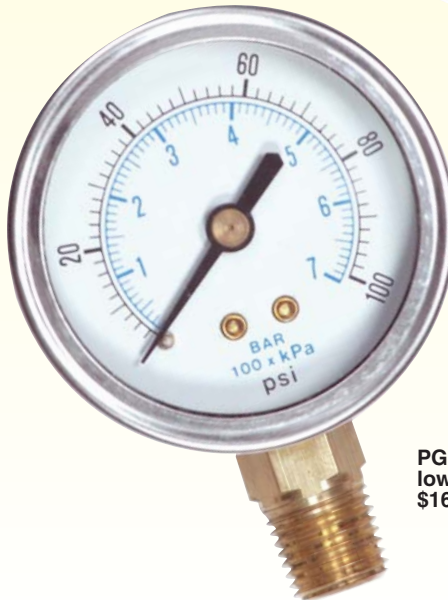
OMEGA's PGUF series liquid fillable utility gauges are designed for a wide range of applications on pumps, compressors, hydraulic systems, machine tools and petrochemical processing equipment. For high shock and vibration applications the PGUF can be liquid filled in the field to dampen the gauge pointer movement.

The PGUF Series liquid fillable gauges come in ranges of (PSI/BAR) 0-30/2, 60/4, 100/7, 160/11, 300/20, 600/40 and 1000/70 (63 mm (2½") gauge is also available in 2000/140 and 3000/200). Rated accuracy is ± 2.5% of span.

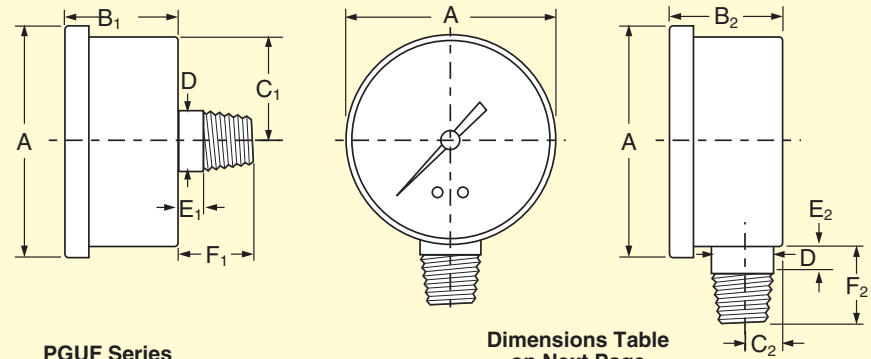
Gauges feature a corrosion resistant 304 stainless steel case and ring, and a durable polycarbonate window. Phosphor bronze bourdon tubes with brass movement, socket and NPT connections are standard. PGUF gauges are available in 38 mm (1½"), 50 mm (2") and 63 mm (2½") designs with center back or lower mount NPT connections.



PGUF-25B-100PSI/7BAR, center back mount gauge, \$19.50, shown actual size.



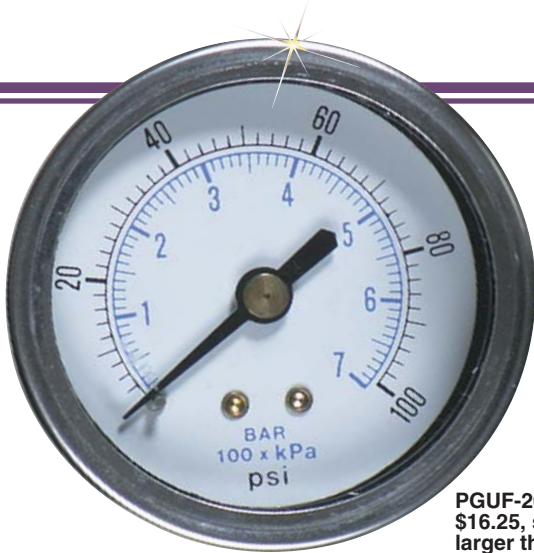
PGUF-20L-100PSI/7BAR, lower mount gauge, \$16.25, shown actual size.



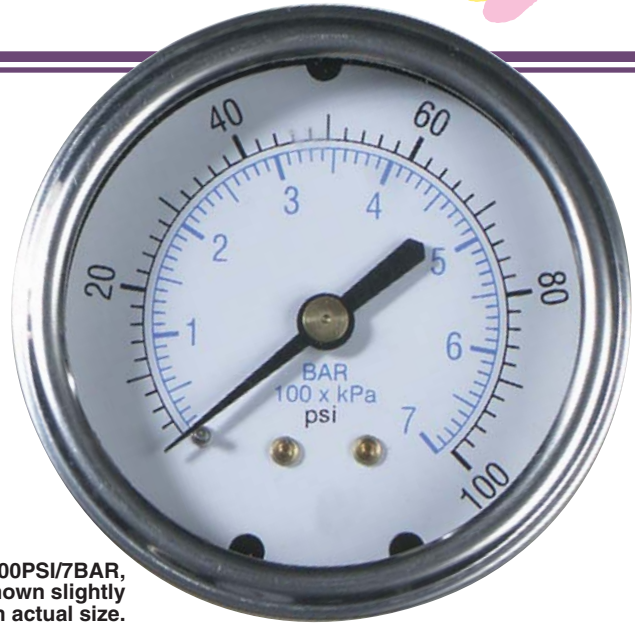
# HOW TO ORDER PGUF SERIES GAUGES



PRESSURE GAUGES **G**



**PGUF-20B-100PSI/7BAR,**  
\$16.25, shown slightly  
larger than actual size.



**PGUF-25B-100PSI/7BAR,**  
\$19.50, shown slightly  
larger than actual size.

## SPECIFICATIONS

**Ranges:** From 30PSI/2BAR to 1000PSI/70BAR  
(2000PSI/140BAR and 3000PSI/200BAR ranges  
on 63 mm (2½") models only)

**Accuracy:** ±2.5%

**Bourdon Tube:** Phosphor bronze

**Window:** Polycarbonate

**Dial:** Galvalume white background with blue and  
black markings

**Pointer:** Galvalume black finish

**Movement:** Brass

**Case & Ring:** 304 stainless steel

**Connection:** ¼" NPTM

(½" NPTM on 38 mm (1½") dials)

**Seals:** Buna-N

**Scale:** Dual scale psi/Bar

**Compatible Filling Liquids:** Glycerin, silicone oil,  
or mineral oil

**Dimensions:** mm (in)

DIAL SIZE mm (in)	A	B1	B2	C1	C2	D	E1	E2	F1	F2
38 (1½) (CBM* only)	45.5 (1.79)	26.7 (1.05)	— —	20.9 (0.82)	— —	14.5 (0.57)	8.6 (0.34)	— —	19.6 (0.77)	— —
50 (2)	59.2 (2.33)	28.4 (1.12)	29.0 (1.14)	26.7 (1.05)	10.2 (0.40)	14.5 (0.57)	6.1 (0.24)	7.4 (0.29)	19.4 (0.76)	20.1 (0.79)
63 (2½)	70.1 (2.76)	33.8 (1.33)	33.8 (1.33)	32.3 (1.27)	11.2 (0.44)	14.5 (0.57)	11.7 (0.46)	7.6 (0.30)	25.4 (1.00)	20.8 (0.82)

\* Center back mount.

## MOST POPULAR RANGES HIGHLIGHTED!

### STANDARD RANGES

RANGE CODE	OUTER SCALE (psi)	INNER SCALE (bar)
30 PSI/2 BAR	0 to 30	0 to 2
60 PSI/4 BAR	0 to 60	0 to 4
100 PSI/7 BAR	0 to 100	0 to 7
160 PSI/11 BAR	0 to 160	0 to 11
300 PSI/20 BAR	0 to 300	0 to 20
600 PSI/40 BAR	0 to 600	0 to 40
1000 PSI/70 BAR	0 to 1000	0 to 70
2000 PSI/140 BAR*	0 to 2000	0 to 140
3000 PSI/200 BAR*	0 to 3000	0 to 200

\* 63 mm (2½") gauges only.

## To Order (Specify Model Number)

DIAL SIZE mm (in)	MODEL NO.	CONNECTION	PRICE <1000PSI/70BAR	PRICE 1000PSI/70BAR	PRICE >1000PSI/70BAR
38 (1½)	<b>PGUF-15B-[*]</b>	¼" back	<b>\$18.00</b>	<b>\$18.00</b>	<b>N/A</b>
50 (2)	<b>PGUF-20L-[*]</b>	¼" lower	<b>16.25</b>	<b>19.50</b>	<b>N/A</b>
50 (2)	<b>PGUF-20B-[*]</b>	¼" back	<b>16.25</b>	<b>19.50</b>	<b>N/A</b>
63 (2½)	<b>PGUF-25L-[*]</b>	¼" lower	<b>19.50</b>	<b>23.00</b>	<b>26.00</b>
63 (2½)	<b>PGUF-25B-[*]</b>	¼" back	<b>19.50</b>	<b>23.00</b>	<b>26.00</b>

[\*] Insert range code from "Standard Ranges" table.

**Ordering Example:** PGUF-20L-60PSI/4BAR,  
50 mm (2") gauge with lower fitting scaled 0 to  
60 psi and 0 to 4 bar, \$16.25.

### ACCESSORY

MODEL NO.	PRICE	DESCRIPTION
<b>XXXXX</b>	<b>\$XXX</b>	Reference Book:



# omega.co.uk®

Your One-Stop Source for Process Measurement and Control!

Freephone 0800 488 488 | International +44(0) 161 777 6622 | Fax +44(0) 161 777 6622 | Sales@omega.co.uk

[www.omega.co.uk](http://www.omega.co.uk)



#### UNITED STATES

[www.omega.com](http://www.omega.com)

1-800-TC-OMEGA  
Stamford, CT.

#### UNITED KINGDOM

[www.omega.co.uk](http://www.omega.co.uk)

Manchester, England  
0800-488-488  
+44-(0)161-777-6611

#### CANADA

[www.omega.ca](http://www.omega.ca)

Laval(Quebec)  
1-800-TC-OMEGA

#### FRANCE

[www.omega.fr](http://www.omega.fr)

0800-466-342

#### GERMANY

[www.omega.de](http://www.omega.de)

Deckenfronn, Germany  
0800-8266342

#### BENELUX

[www.omega.nl](http://www.omega.nl)

0800-099-33-44



## More than 100,000 Products Available!

### • Temperature

Calibrators, Connectors, General Test and Measurement Instruments, Handheld Instruments for Temperature Measurement, Ice Point References, Indicating Labels, Crayons, Cements and Lacquers, Infrared Temperature Measurement Instruments, Recorders, Relative Humidity Measurement Instruments, PT100 Probes, PT100 Elements, Temperature & Process Meters, Timers and Counters, Temperature and Process Controllers and Power Switching Devices, Thermistor Elements, Probes and Assemblies, Thermocouples, Thermowells and Head and Well Assemblies, Transmitters, Thermocouple Wire, RTD Probes

### • Flow and Level

Air Velocity Indicators, Doppler Flowmeters, Level Measurement, Magnetic Flowmeters, Mass Flowmeters, Pitot Tubes, Pumps, Rotameters, Turbine and Paddle Wheel Flowmeters, Ultrasonic Flowmeters, Valves, Variable Area Flowmeters, Vortex Shedding Flowmeters

### • pH and Conductivity

Conductivity Instrumentation, Dissolved Oxygen Instrumentation, Environmental Instrumentation, pH Electrodes and Instruments, Water and Soil Analysis Instrumentation

### • Data Acquisition

Communication Products and Converters, Data Acquisition and Analysis Software, Data Loggers Plug-in Cards, Signal Conditioners, USB, RS232, RS485, Ethernet and Parallel Port Data Acquisition Systems, Wireless Transmitters and Receivers

### • Pressure, Strain and Force

Displacement Transducers, Dynamic Measurement Force Sensors, Instrumentation for Pressure and Strain Measurements, Load Cells, Pressure Gauges, Pressure Reference Section, Pressure Switches, Pressure Transducers, Proximity Transducers, Regulators, Pressure Transmitters, Strain Gauges, Torque Transducers, Valves

### • Heaters

Band Heaters, Cartridge Heaters, Circulation Heaters, Comfort Heaters, Controllers, Meters and Switching Devices, Flexible Heaters, General Test and Measurement Instruments, Heater Hook-up Wire, Heating Cable Systems, Immersion Heaters, Process Air and Duct, Heaters, Radiant Heaters, Strip Heaters, Tubular Heaters