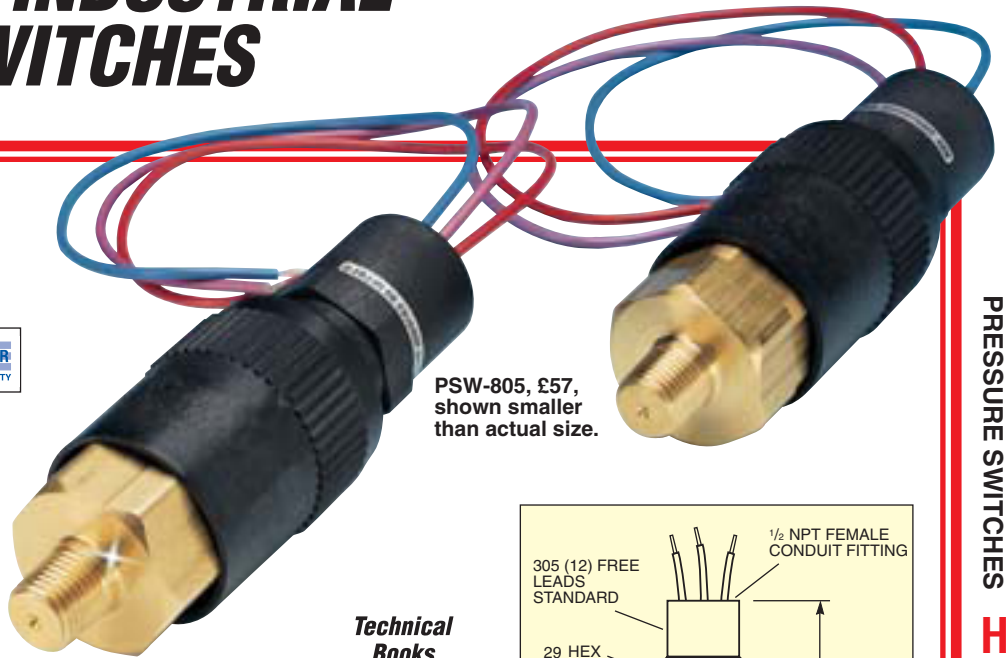


# ECONOMICAL INDUSTRIAL PRESSURE SWITCHES

## PSW-800 Series Vacuum to 7500 psi

All Models  
**£57**



PSW-805, £57, shown smaller than actual size.

- ✓ Easy Adjustment with Locking Set Screw
- ✓ Rugged Industrial Design
- ✓ Standard ½" Female Conduit Fitting for Electrical Termination

The PSW-800 Series comprises economical pressure switches that feature an easy-to-adjust setpoint with locking set screw. They have a sealed-piston or diaphragm-piston design, ideal for harsh environments. All models come with 300 mm (12") color-coded leads and a ½" female conduit fitting for electrical connections.

### SPECIFICATIONS

**Setpoint Repeatability:**  
**Diaphragm Models (PSW-801 to PSW-807):** ±1% of span  
**Piston Models (PSW-808 to PSW-811):** ±1.5% of span

**Hysteresis/Deadband:**  
 See "To Order" table at right

**Contact Rating:** 5 A max @ 125/250 Vac, silver serrated contacts 3 A max @ 28 Vdc

**Temp Range:** -20 to 75°C (-4 to 167°F) (vacuum range); -30 to 75°C (-22 to 167°F) (500 psi and below); -40 to 75°C (-40 to 167°F) (600 psi and above)

**Thermal Effects:** <1% for 25°C (45°F) change

**Proof Pressure:** See "To Order" table

**Burst Pressure:** 2x proof pressure

**Sensor Type:**  
 PSW-801 to PSW-807: Diaphragm piston  
 PSW-808 to PSW-811: Sealed piston

**Wetted Parts:**

**500 psi and Below:** Brass, Buna-N  
**600 psi and Above:** Brass, Buna-N and stainless steel

**Pressure Port:** ¼ MNPT

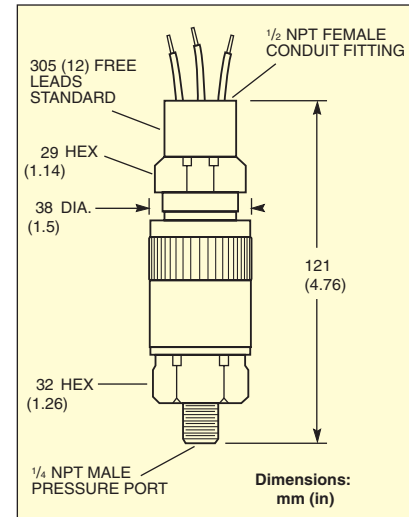
**Electrical Connection:** 300 mm (12") free leads with ½" female conduit fitting

**Housing:** Open-type plastic housing

**Weight:** 0.4 kg (0.95 lb)

Technical Books Available Online!

WIRE CODE	PRESSURE	VACUUM
Lead	Color	Color
Normally closed	Blue	Red
Common	Purple	Purple
Normally open	Red	Blue



**MOST POPULAR MODELS HIGHLIGHTED!**

### To Order (Specify Model Number)

MODEL NUMBER	PRICE	PRESSURE SETTING RANGE				DEADBAND RANGE	PROOF PRESSURE
		DECREASING		INCREASING			
		MIN	MAX	MIN	MAX		
<b>VACUUM MODELS (inHg)</b>							
PSW-801	£57	1	28	4	30	1 to 4	30 psi
<b>GAGE PRESSURE MODELS (psig)</b>							
PSW-802	57	2.5	12.8	3	15	0.5 to 2.2	1000 psi
PSW-803	57	5	31	6	35	1.0 to 4.0	1000 psi
PSW-804	57	8.5	44	10	50	1.5 to 6.0	1000 psi
PSW-805	57	22.5	112	25	125	2.5 to 13	1000 psi
PSW-806	57	70.0	220	50	250	10 to 30	1000 psi
PSW-807	57	110	440	130	500	20 to 60	1000 psi
PSW-808	57	190	450	250	600	60 to 150	7000 psi
PSW-809	57	360	1450	430	1700	70 to 250	7000 psi
PSW-810	57	1450	3900	1650	4400	200 to 500	7000 psi
PSW-811	57	3650	6700	4000	7500	350 to 800	12,000 psi

Comes with complete operator's manual.

**Ordering Example:** PSW-804, 10 to 50 psi pressure switch with 1.5 to 6.0 psi deadband range and 1000 psi proof pressure, £57.

### ACCESSORY

MODEL NO.	PRICE	DESCRIPTION
CM-4416	£52	Reference Book: Handbook of Chemical Technology and Pollution Control





#### UNITED STATES

[www.omega.com](http://www.omega.com)

1-800-TC-OMEGA

Stamford, CT.

#### CANADA

[www.omega.ca](http://www.omega.ca)

Laval(Quebec)

1-800-TC-OMEGA

#### GERMANY

[www.omega.de](http://www.omega.de)

Deckenpfronn, Germany

0800-8266342

#### UNITED KINGDOM

[www.omega.co.uk](http://www.omega.co.uk)

Manchester, England

0800-488-488

#### FRANCE

[www.omega.fr](http://www.omega.fr)

088-466-342

#### CZECH REPUBLIC

[www.omegaeng.cz](http://www.omegaeng.cz)

Karviná, Czech Republic

596-311-899

#### BENELUX

[www.omega.nl](http://www.omega.nl)

0800-099-33-44



## More than 100,000 Products Available!

### • Temperature

Calibrators, Connectors, General Test and Measurement Instruments, Handheld Instruments for Temperature Measurement, Ice Point References, Indicating Labels, Crayons, Cements and Lacquers, Infrared Temperature Measurement Instruments, Recorders, Relative Humidity Measurement Instruments, PT100 Probes, PT100 Elements, Temperature & Process Meters, Timers and Counters, Temperature and Process Controllers and Power Switching Devices, Thermistor Elements, Probes and Assemblies, Thermocouples, Thermowells and Head and Well Assemblies, Transmitters, Thermocouple Wire, RTD Probes

### • Flow and Level

Air Velocity Indicators, Doppler Flowmeters, Level Measurement, Magnetic Flowmeters, Mass Flowmeters, Pitot Tubes, Pumps, Rotameters, Turbine and Paddle Wheel Flowmeters, Ultrasonic Flowmeters, Valves, Variable Area Flowmeters, Vortex Shedding Flowmeters

### • pH and Conductivity

Conductivity Instrumentation, Dissolved Oxygen Instrumentation, Environmental Instrumentation, pH Electrodes and Instruments, Water and Soil Analysis Instrumentation

### • Data Acquisition

Auto-Dialers and Alarm Monitoring Systems, Communication Products and Converters, Data Acquisition and Analysis Software, Data Loggers Plug-in Cards, Signal Conditioners, USB, RS232, RS485 and Parallel Port Data Acquisition Systems, Wireless Transmitters and Receivers

### • Pressure, Strain and Force

Displacement Transducers, Dynamic Measurement Force Sensors, Instrumentation for Pressure and Strain Measurements, Load Cells, Pressure Gauges, Pressure Reference Section, Pressure Switches, Pressure Transducers, Proximity Transducers, Regulators, Pressure Transmitters, Strain Gauges, Torque Transducers, Valves

### • Heaters

Band Heaters, Cartridge Heaters, Circulation Heaters, Comfort Heaters, Controllers, Meters and Switching Devices, Flexible Heaters, General Test and Measurement Instruments, Heater Hook-up Wire, Heating Cable Systems, Immersion Heaters, Process Air and Duct, Heaters, Radiant Heaters, Strip Heaters, Tubular Heaters