

HIGH-ACCURACY TRIPLE-RANGE VOLTAGE OUTPUT PRESSURE TRANSDUCER

7/16-20 PRESSURE OR 1/4 NPT CONNECTION

PX03 Series

Triple Range

0-5 Vdc Output

0-5 to 40,000 psi

0-350 mbar to 2760 bar

1 bar = 14.5 psi

1 kg/cm² = 14.22 psi

1 atmosphere = 14.7 psi = 29.93

inHg = 760.2 mmHg = 1.014 bar



PX03C1-030G5T, with 1/4 NPT fitting, \$915, shown smaller than actual size.

BUILT TO ORDER

Starts at
\$915

- ✓ High Accuracy
- ✓ Switch Selectable — Specifications Apply to All Ranges
- ✓ Internal Shunt Resistor for Each Range
- ✓ FM Intrinsically Safe
- ✓ All Stainless Steel Construction
- ✓ Sealed for Harsh Environments
- ✓ Available in Gage, Absolute, Sealed Gage, psi, and Metric Ranges

OMEGA's PX03 Series consists of high accuracy, switch-selectable, triple range voltage output industrial pressure transducers. All stainless steel construction and a sealed case makes these transducers suitable for the harshest industrial environments. The PX03 has FM Intrinsically Safe approval. A broad temperature-compensated range of 16 to 71°C (60 to 160°F) and excellent temperature compensation make these transducers very stable with fluctuating temperatures. The ranges are switch selectable and the accuracy and temperature specifications apply to each range.

The PX03 is available in gage, absolute, or sealed models, as well as psi or metric ranges. NPT and 7/16-20 UNF O-ring seal fittings are available for industrial and hydraulic applications.

To Order (Specify Model Number)

Models with 7/16-20 Connection / Connector Style or 1/4 NPT

RANGE		MODEL NO.	PRICE	COMPATIBLE METERS*
psi	bar			
ABSOLUTE PRESSURE (All Ranges Available in Absolute Pressure)				
15/10/5	1.0/0.69/0.34	PX03[*]1-015A5T	\$965	DP41-E, DP25B-E, DP24-E
20/15/10	1.4/1.0/0.69	PX03[*]1-020A5T	965	DP41-E, DP25B-E, DP24-E
30/20/10	2.1/1.4/0.69	PX03[*]1-030A5T	965	DP41-E, DP25B-E, DP24-E
35/25/15	2.4/1.7/1.0	PX03[*]1-035A5T	965	DP41-E, DP25B-E, DP24-E
50/35/20	3.4/2.4/1.4	PX03[*]1-050A5T	965	DP41-E, DP25B-E, DP24-E
GAGE PRESSURE (All Ranges Also Available in Sealed Gage Pressure)				
15/10/5	1.0/0.69/0.34	PX03[*]1-015G5T	\$915	DP41-E, DP25B-E, DP24-E
20/15/10	1.4/1.0/0.69	PX03[*]1-020G5T	915	DP41-E, DP25B-E, DP24-E
30/20/10	2.1/1.4/0.69	PX03[*]1-030G5T	915	DP41-E, DP25B-E, DP24-E
35/25/15	2.4/1.7/1.0	PX03[*]1-035G5T	915	DP41-E, DP25B-E, DP24-E
50/35/20	3.4/2.4/1.4	PX03[*]1-050G5T	915	DP41-E, DP25B-E, DP24-E
75/50/25	5.2/3.4/1.7	PX03[*]1-075G5T	915	DP41-E, DP25B-E, DP24-E
100/75/50	6.9/5.2/3.4	PX03[*]1-100G5T	915	DP41-E, DP25B-E, DP24-E
200/150/75	13.8/10.3/5.2	PX03[*]1-200G5T	915	DP41-E, DP25B-E, DP24-E
300/200/100	20.7/13.8/6.9	PX03[*]1-300G5T	915	DP41-E, DP25B-E, DP24-E
500/300/150	34.5/20.7/10.3	PX03[*]1-500G5T	915	DP41-E, DP25B-E, DP24-E
750/500/250	51.7/34.5/17.2	PX03[*]1-750G5T	915	DP41-E, DP25B-E, DP24-E
1K/750/350	69/51.7/24.1	PX03[*]1-1KG5T	915	DP41-E, DP25B-E, DP24-E
1.5K/1K/500	103/69/34.5	PX03[*]1-1.5KG5T	915	DP41-E, DP25B-E, DP24-E
2K/1.5K/750	138/103/51.7	PX03[*]1-2KG5T	915	DP41-E, DP25B-E, DP24-E
3K/2K/1K	207/138/69	PX03[*]1-3KGT	915	DP41-E, DP25B-E, DP24-E
5K/3.5K/1.5K	345/241/103	PX03[*]1-5KG5T	915	DP41-E, DP25B-E, DP24-E
7.5K/5K/2.5K	517/345/172	PX03[*]1-7.5KG5T	915	DP41-E, DP25B-E, DP24-E
10K/7.5K/3.5K**	690/517/241	PX03S1-10KG5T	915	DP41-E, DP25B-E, DP24-E
15K/10K/5K**	1034/690/345	PX03S1-15KG5T	915	DP41-E, DP25B-E*, DP24-E*
20K/15K/7.5K**	1379/1034/517	PX03S1-20KG5T	915	DP41-E, DP25B-E*, DP24-E*
30K/20K/10K**	2068/1379/690	PX03S1-30KG5T	915	DP41-E, DP25B-E*, DP24-E*
40K/30K/10K**	2758/2068/690	PX03S1-40KG5T	915	DP41-E, DP25B-E*, DP24-E*

Comes with 5-point calibration.

* 4-digit meter, counts in increments of 10.

** 1/4 HP tube fitting only.

† See section D for compatible meters.

Metric ranges available – consult Engineering.

[*] Insert "K" for 7/16-20 female connection (price shown) or "C" for 1/4 NPT male and add \$20.

To order absolute pressure, replace the "G" in model number with "A" and add \$50.

To order sealed gage units, replace "G" in model number with "S" (no extra charge).

Ordering Example: PX03K1-1KG5T, triple-range 1000/750/350 psi gage transducer with

0 to 5 V output, twist lock connector and 7/16-20 female pressure connection, \$915.

PT06F-10-6S, mating connector (not included), \$26.50.

ACCESSORY

MODEL NO.	PRICE	DESCRIPTION
PE-1022	\$79	Reference Book: Process Control Systems



VOLTAGE OUTPUT
PRESSURE TRANSDUCERS

B



TRIPLE-RANGE TRANSDUCER

SPECIFICATIONS

TRIPLE OUTPUT

Specifications apply to each range

Excitation: 24 to 32 Vac/Vdc

Output: 0 to 5 Vdc $\pm 10\%$ adj

Zero Balance: 0 V $\pm 10\%$ adj

Agency Approvals:

FM Intrinsically Safe
IS/I.II.III/1/CDEFG standard

Linearity: $\pm 0.15\%$ FS

Hysteresis: $\pm 0.1\%$ FS

Repeatability: $\pm 0.05\%$ FS

Sensing Element: 4-active-arm bridge, using thick-film strain gages in a hermetically sealed chamber (except gage units)

Shunt Calibration Value:

Specified on calibration sheet

Operating Temp Range:

-46 to 121°C (-50 to 250°F)

Compensated Temp Range:

16 to 71°C (60 to 160°F)

Thermal Effects:

Span: 0.003% of rdg/°F

Zero: 0.003% of FS/°F

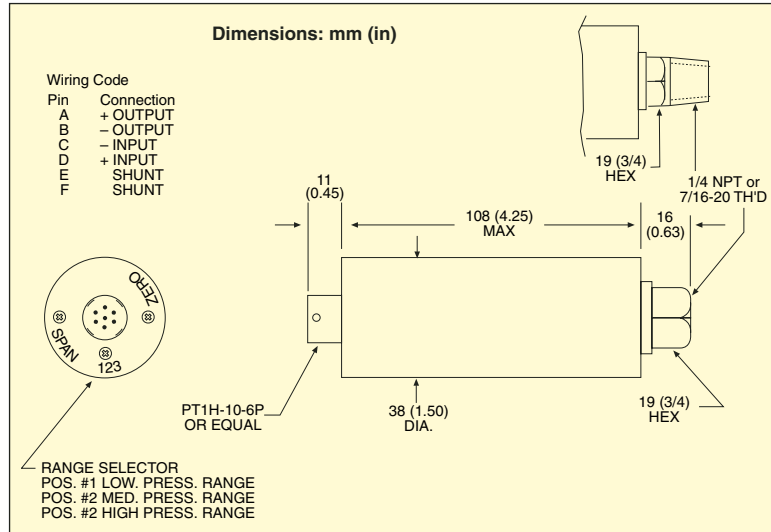
Proof Pressure:

150% of rated pressure

Burst Pressure:

300% of rated pressure

Wetted Parts: 17-4 PH stainless steel



Pressure Port:

Ranges <10,000 psi: 7/16-20 UNF female; also available: 1/8-20 UNF male or 1/4-18 NPT male/female

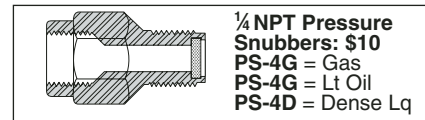
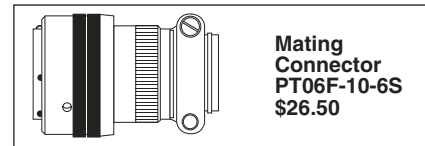
Ranges 10,000 to 30,000 psi: 3/8-18, 1/4" HP tube

Electrical Connection:

PTIH-10-6P or equal

Mating Connector:

PT06F-10-6S (not included)



"C" or "D" models only

CUSTOM CONFIGURATIONS

SERIES PX03	PRESSURE PORT [1]	ELECTRICAL CONNECTION [2]	RANGE (psi) [3]	UNITS [4]	OUTPUT [5]	OPTIONS [6]
	C = 1/4-18 NPT-M +\$20		15/10/5	S,G,A	5T = 0 to 5 Vdc output \$915 all ranges	OL = Overload stops +\$65 where available OX = Cleaned for oxygen service +\$75 plus 2 weeks
	D = 1/4-18 NPT-F, no charge		20/15/10	S,G,A		
	J = 7/16-20 UNF-M +\$20		30/20/10	S,G,A		See page B-12 for additional options, including extended temperature ranges.
	K = 7/16-20 UNF-F, no charge		35/25/15	S,G,A		
	Ranges $\geq 10,000$ psi		50/35/20	S,G,A		
	S = 3/8-18 1/4" HP tube		75/50/25	S,G,A		
			100/75/50	S,G,A		
			200/150/75	S,G,A		
			300/200/100	S,G,A		
			500/300/150	S,G,A		
			750/500/250	S,G,A		
			1K/750/350	S,G,A		
			1.5K/1K/500	S,G,A		
			2K/1.5K/750	S,G,A		
			3K/2K/1K	S,G,A		
			5K/3.5K/1.5K	S,G,A		
			7.5K/5K/2.5K	S,G,A		
			10K/7.5K/3.5K	S,G,A		
			15K/20K/5K	S,G,A		
			20K/15K/7.5K	S,G,A		
			30K/20K/10K	S,G,A		
			40K/30K/10K	S,G,A		
	1 = PTIH-10-6P connector (or equal, no charge). Mating connector (not included), order PT06F-10-6S \$26.50					
	<i>Metric ranges available – see Metric Section.</i>					

To order a custom configuration:

1. Select a pressure port
2. Select electrical connection
3. Select a pressure range
4. Select pressure units
5. Select output
6. Select options and agency approvals

To order absolute pressure, replace "G" in model number with "A" and add \$50 to price.

To order sealed gage units, replace "G" in model number with "S", no extra charge.

Ordering Example: PX03K1-1KG5T, triple-range 1000/750/350 psi gage transducer with 0 to 5 V output, twist lock connector and 7/16-20 female pressure connection, \$915. PT06F-10-6S, mating connector (not included), \$26.50.



UNITED STATES

www.omega.com
1-800-TC-OMEGA
Stamford, CT.

CANADA

www.omega.ca
Laval(Quebec)
1-800-TC-OMEGA

GERMANY

www.omega.de
Deckenpfronn, Germany
0800-8266342

UNITED KINGDOM

www.omega.co.uk
Manchester, England
0800-488-488

FRANCE

www.omega.fr
Guyancourt, France
088-466-342

CZECH REPUBLIC

www.omegaeng.cz
Karviná, Czech Republic
596-311-899

BENELUX

www.omega.nl
Amstelveen, NL
0800-099-33-44



More than 100,000 Products Available!

• Temperature

Calibrators, Connectors, General Test and Measurement Instruments, Glass Bulb Thermometers, Handheld Instruments for Temperature Measurement, Ice Point References, Indicating Labels, Crayons, Cements and Lacquers, Infrared Temperature Measurement Instruments, Recorders Relative Humidity Measurement Instruments, RTD Probes, Elements and Assemblies, Temperature & Process Meters, Timers and Counters, Temperature and Process Controllers and Power Switching Devices, Thermistor Elements, Probes and Assemblies, Thermocouples Thermowells and Head and Well Assemblies, Transmitters, Wire

• Flow and Level

Air Velocity Indicators, Doppler Flowmeters, Level Measurement, Magnetic Flowmeters, Mass Flowmeters, Pitot Tubes, Pumps, Rotameters, Turbine and Paddle Wheel Flowmeters, Ultrasonic Flowmeters, Valves, Variable Area Flowmeters, Vortex Shedding Flowmeters

• pH and Conductivity

Conductivity Instrumentation, Dissolved Oxygen Instrumentation, Environmental Instrumentation, pH Electrodes and Instruments, Water and Soil Analysis Instrumentation

• Data Acquisition

Auto-Dialers and Alarm Monitoring Systems, Communication Products and Converters, Data Acquisition and Analysis Software, Data Loggers Plug-in Cards, Signal Conditioners, USB, RS232, RS485 and Parallel Port Data Acquisition Systems, Wireless Transmitters and Receivers

• Pressure, Strain and Force

Displacement Transducers, Dynamic Measurement Force Sensors, Instrumentation for Pressure and Strain Measurements, Load Cells, Pressure Gauges, Pressure Reference Section, Pressure Switches, Pressure Transducers, Proximity Transducers, Regulators, Strain Gages, Torque Transducers, Valves

• Heaters

Band Heaters, Cartridge Heaters, Circulation Heaters, Comfort Heaters, Controllers, Meters and Switching Devices, Flexible Heaters, General Test and Measurement Instruments, Heater Hook-up Wire, Heating Cable Systems, Immersion Heaters, Process Air and Duct, Heaters, Radiant Heaters, Strip Heaters, Tubular Heaters