

FLUSH DIAPHRAGM TRANSDUCER WITH AMPLIFIED VOLTAGE OUTPUT STAINLESS STEEL WETTED PARTS

PX103U Series
5.5 Vdc Output
0-15 to 0-20,000 psi
0-1 to 0-1300 bar

1 bar = 14.5 psi
1 kg/cm² = 14.22 psi
1 atmosphere = 14.7 psi = 29.93 inHg = 760.2 mmHg = 1.014 bar

Starts at
\$495



- ✓ All Stainless Steel
- ✓ Amplified Voltage Output
- ✓ Flush Diaphragm for Hard-to-Measure Fluids
- ✓ Ideal for Tank and Level Applications

OMEGA's PX103U voltage transmitters feature a rugged all stainless steel case and a high-reliability, low-noise 0.5 to 5.5 Vdc output. They are designed for use in critical applications in wastewater management, chemical manufacturing, water processing, tank and level applications, and other industrial applications where a non-plugging flush diaphragm is needed.

ACCESSORY

MODEL NO.	PRICE	DESCRIPTION
PE-1357	\$125	Reference Book: Pipeline Rules of Thumb Handbook

PX103U0-025G5V, cable style, \$495, shown actual size.



PX103U1-025G5V, connector style, \$495, shown actual size.



VOLTAGE OUTPUT
PRESSURE TRANSDUCERS
B

MOST POPULAR MODELS HIGHLIGHTED!

To Order (Specify Model Number)

RANGE		MODEL NO.	PRICE	COMPATIBLE METERS**
ABSOLUTE PRESSURE (All Ranges Available in Absolute Pressure)				
0 to 15 psi	0 to 1 bar	PX103U[*]-015A5V	\$565	DP41-E, DP25B-E, DP24-E
0 to 25 psi	0 to 1.7 bar	PX103U[*]-025A5V	565	DP41-E, DP25B-E, DP24-E
0 to 50 psi	0 to 3.4 bar	PX103U[*]-050A5V	565	DP41-E, DP25B-E, DP24-E
GAGE PRESSURE (All Ranges Also Available in Sealed Gage Pressure)				
0 to 15 psi	0 to 1 bar	PX103U[*]-015G5V	\$495	DP41-E, DP25B-E, DP24-E
0 to 25 psi	0 to 1.7 bar	PX103U[*]-025G5V	495	DP41-E, DP25B-E, DP24-E
0 to 50 psi	0 to 3.4 bar	PX103U[*]-050G5V	495	DP41-E, DP25B-E, DP24-E
0 to 100 psi	0 to 6.9 bar	PX103U[*]-100G5V	555	DP41-E, DP25B-E, DP24-E
0 to 200 psi	0 to 13.8 bar	PX103U[*]-200G5V	555	DP41-E, DP25B-E, DP24-E
0 to 500 psi	0 to 34.5 bar	PX103U[*]-500G5V	555	DP41-E, DP25B-E, DP24-E
0 to 1000 psi	0 to 68.9 bar	PX103U[*]-1KG5V	555	DP41-E, DP25B-E, DP24-E
0 to 2000 psi	0 to 138 bar	PX103U[*]-2KG5V	555	DP41-E, DP25B-E, DP24-E
0 to 3000 psi	0 to 207 bar	PX103U[*]-3KG5V	555	DP41-E, DP25B-E, DP24-E
0 to 5000 psi	0 to 345 bar	PX103U[*]-5KG5V	555	DP41-E, DP25B-E, DP24-E
0 to 10,000 psi	0 to 689 bar	PX103U[*]-10KG5V	555	DP41-E, DP25B-E, DP24-E
0 to 15,000 psi	0 to 1034 bar	PX103U[*]-15KG5V	555	DP41-E, DP25B-E*, DP24-E
0 to 20,000 psi	0 to 1379 bar	PX103U[*]-20KG5V	555	DP41-E, DP25B-E*, DP24-E

Comes with 5-point calibration.

Metric ranges available – consult Engineering.

* 4-digit meter, counts by 10.

** See section D for compatible meters.

[*] To order cable style insert "0" into model number; to order connector style insert "1".

To order absolute pressure ranges, replace "G" in model number with "A" and add \$70. To order sealed gage pressure ranges, replace "G" in model number with "S" (no extra charge). To order extra lead length (10' standard) add suffix "--(Length of cable in feet)" and \$2/ft to the length beyond 10'.

Ordering Examples: PX103U0-050G5V, 50 psi gage pressure cable style transducer with 0.5 to 5.5 Vdc output, \$495. PX103U1-100A5V, 100 psi absolute pressure connector style transducer with 0.5 to 5.5 Vdc output, \$555 + \$70 = \$625. PT06F10-6S, mating connector (not included), \$26.50. PX103U0-200S5V-25FT, 200 psi sealed gage pressure cable style transducer with 0.5 to 5.5 Vdc output and 7.6 m (25') leads, \$555 + \$30 = \$585.

FLUSH DIAPHRAGM TRANSMITTER

SPECIFICATIONS

5.5 Vdc OUTPUT

Excitation: 24 to 32 Vdc

Output: 0.5 to 5.5 Vdc
(0.5 to 10.5 Vdc optional)

Zero Balance: 0.5 V \pm 0.1 V

Accuracy:

<100 psi: \pm 1% FSO linearity, hysteresis and repeatability combined

\geq 100 psi: \pm 0.5% FSO linearity, hysteresis and repeatability combined

Operating Temp Range:

<100 psi: -45 to 93°C (-50 to 200°F)

\geq 100 psi: -45 to 121°C (-50 to 250°F)

Compensated Temp Range:

<100 psi: -1 to 54°C (30 to 130°F)

\geq 100 psi: -18 to 66°C (0 to 150°F)

THERMAL EFFECTS

<100 psi:

Span: \pm 2% within compensated range

Zero: \pm 1% within compensated range

\geq 100 psi:

Span: \pm 0.003% rdg/°F

Zero: \pm 0.0045% FSO/°F

Ranges (psi): 5, 15, 25, 50, 100, 200, 500, 1K, 5K, 10K, 20K; gage, sealed gage or absolute; metric ranges also available

Proof Pressure:

<100 psi: 200% of rated pressure

\geq 100 psi: 150% rated pressure

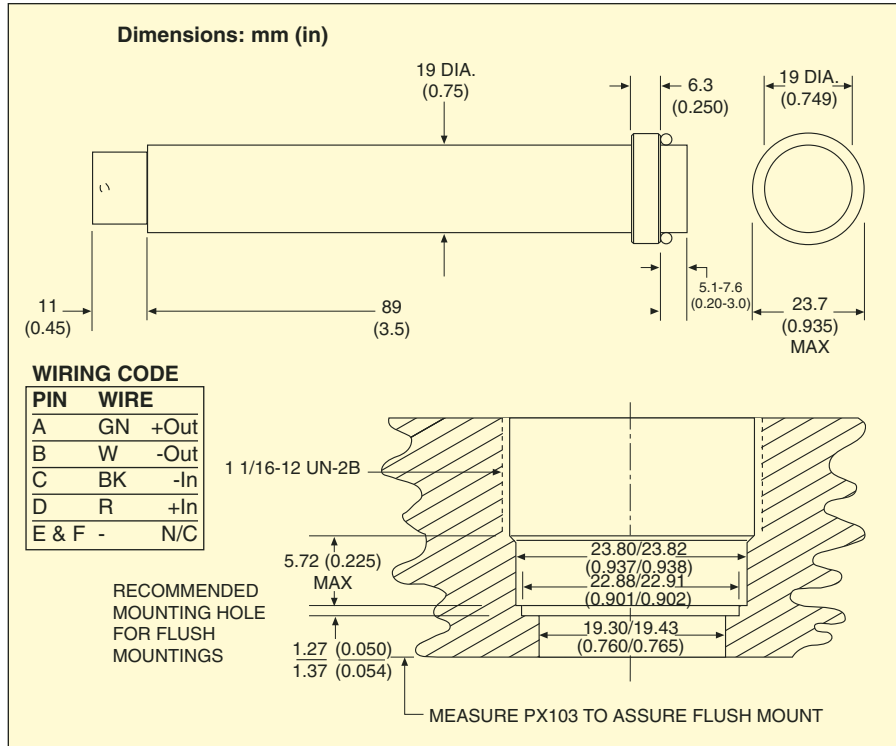
30,000 psi: maximum

Burst Pressure:

<100 psi: 500% of rated pressure

\geq 100 psi: 300% of rated pressure

50,000 psi: maximum



Wetted Parts:

Ranges <100 psi: 316 stainless steel

Ranges \geq 100 psi: 17-4 PH stainless steel

Pressure Port:

Flush diaphragm

O-Ring: Not included #2-018

Electrical Connection:

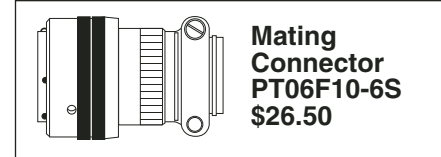
PTIH-10-6P or equal

Optional Connection:

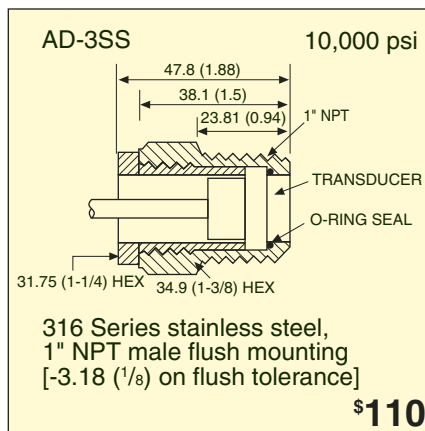
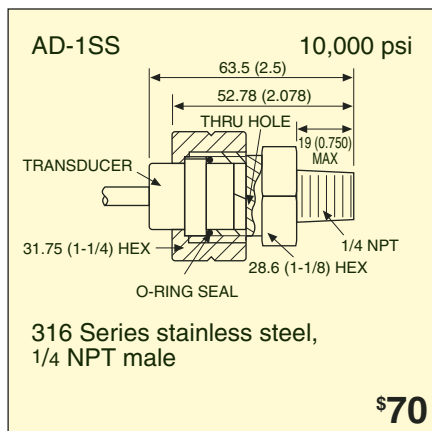
3 m (10') 4-conductor shielded PVC cable

Mating Connector:

PT06F10-6S (not included)



Flush Mount Adaptors for Series PX103 Transducers



"O" RINGS FKM or Polyurethane

Use for pressures under

10,000 psi:

#2-018-V

FKM\$10/Pk of 10

Use for pressures of

10,000 psi and higher:

#2-018-P

POLYURETHANE ..\$10/Pk of 10

O-Ring Provided with Each Adaptor

Dimensions: mm (in)

omega.co.uk[®]

Your One-Stop Source for Process Measurement and Control!

Freephone 0800 488 488 | International +44(0) 161 777 6622 | Fax +44(0) 161 777 6622 | Sales@omega.co.uk

www.omega.co.uk



UNITED STATES

www.omega.com

1-800-TC-OMEGA
Stamford, CT.

CANADA

www.omega.ca

Laval(Quebec)
1-800-TC-OMEGA

GERMANY

www.omega.de

Deckenfronn, Germany
0800-8266342

UNITED KINGDOM

www.omega.co.uk

Manchester, England
0800-488-488
+44-(0)161-777-6611

FRANCE

www.omega.fr

0800-466-342

BENELUX

www.omega.nl

0800-099-33-44



More than 100,000 Products Available!

• Temperature

Calibrators, Connectors, General Test and Measurement Instruments, Handheld Instruments for Temperature Measurement, Ice Point References, Indicating Labels, Crayons, Cements and Lacquers, Infrared Temperature Measurement Instruments, Recorders, Relative Humidity Measurement Instruments, PT100 Probes, PT100 Elements, Temperature & Process Meters, Timers and Counters, Temperature and Process Controllers and Power Switching Devices, Thermistor Elements, Probes and Assemblies, Thermocouples, Thermowells and Head and Well Assemblies, Transmitters, Thermocouple Wire, RTD Probes

• Flow and Level

Air Velocity Indicators, Doppler Flowmeters, Level Measurement, Magnetic Flowmeters, Mass Flowmeters, Pitot Tubes, Pumps, Rotameters, Turbine and Paddle Wheel Flowmeters, Ultrasonic Flowmeters, Valves, Variable Area Flowmeters, Vortex Shedding Flowmeters

• pH and Conductivity

Conductivity Instrumentation, Dissolved Oxygen Instrumentation, Environmental Instrumentation, pH Electrodes and Instruments, Water and Soil Analysis Instrumentation

• Data Acquisition

Communication Products and Converters, Data Acquisition and Analysis Software, Data Loggers Plug-in Cards, Signal Conditioners, USB, RS232, RS485, Ethernet and Parallel Port Data Acquisition Systems, Wireless Transmitters and Receivers

• Pressure, Strain and Force

Displacement Transducers, Dynamic Measurement Force Sensors, Instrumentation for Pressure and Strain Measurements, Load Cells, Pressure Gauges, Pressure Reference Section, Pressure Switches, Pressure Transducers, Proximity Transducers, Regulators, Pressure Transmitters, Strain Gauges, Torque Transducers, Valves

• Heaters

Band Heaters, Cartridge Heaters, Circulation Heaters, Comfort Heaters, Controllers, Meters and Switching Devices, Flexible Heaters, General Test and Measurement Instruments, Heater Hook-up Wire, Heating Cable Systems, Immersion Heaters, Process Air and Duct, Heaters, Radiant Heaters, Strip Heaters, Tubular Heaters