

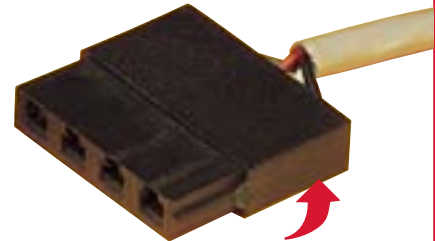
# FREQUENCY OUTPUT TYPE PRESSURE TRANSDUCERS USE ON TRANSMISSION LINES OR INTERFACING WITH MICROPROCESSORS

**PX106 Series**  
0-6 to 0-200 psi  
0-0.4 to 0-138 bar

All Models  
**\$395**



PX106-100G5F, \$395, shown actual size.

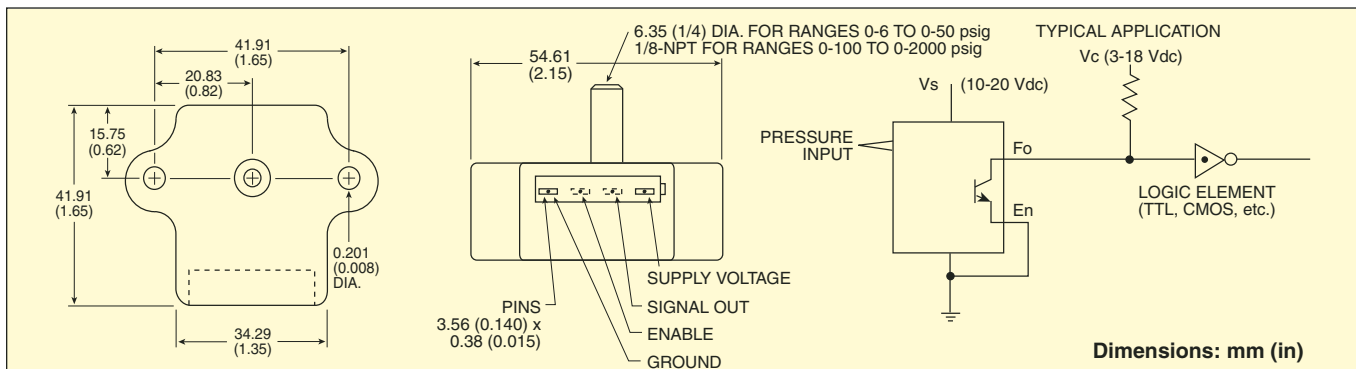


PX106-CONNECTOR, spare connector, \$6, included.



- ✓ 10 to 20 Vdc Excitation
- ✓ 0.5% Linearity
- ✓ -40 to 85°C (-40 to 185°F) Operation
- ✓ Valox® Outer Case
- ✓ Stainless Steel Chamber
- ✓ ±1% FS Accuracy

SPECIALTY PRESSURE TRANSDUCERS **B**



## SPECIFICATIONS

**Excitation:** 10 to 20 Vdc at 30 mA

**Output:** 1 to 6 kHz

**Accuracy:** ±1% full scale typical, ±2% full scale max

**Linearity :** <50 psi ±0.5%;  
≥50 psi ±0.2% FS

**Hysteresis:** ±0.25% full scale

**Zero Balance:** ±1% typical, ±2% max

**Compensated Temperature Range:** 0 to 85°C (32 to 185°F)

**Thermal Zero Effect:** ±0.02%/°C (±0.01% rdg/°F)

**Thermal Sensitivity Effect:** ±0.02%/°C (±0.01% rdg/°F)

**Proof Pressure:** 2x full scale

**Burst Pressure:** 5x full scale min

**Gages:** Piezoresistive on bending beam

**Diaphragm/Port Material:** 300 Series SS (silver, copper, nickel, cadmium brazed)

**Electrical Connection:** CX-106-4

**Weight:** 114 g (4 oz)

**Media Compatibility:** Typical media include oil, gases, saline solutions, ammonia, freon, hydraulic fluids, alcohol, acids, and gasoline

**MOST POPULAR MODELS HIGHLIGHTED!**

## To Order (Specify Model Number)

RANGE	MODEL NO.	PRICE	COMPATIBLE METERS*
0 to 6 psig	PX106-006G5F	\$395	DP2000-H9
0 to 50 psig	PX106-050G5F	395	DP2000-H9
0 to 100 psig	PX106-100G5F	395	DP2000-H8 or H9
0 to 300 psig	PX106-300G5F	395	CONSULT SALES
0 to 500 psig	PX106-500G5F	395	DP2000-H9
0 to 1000 psig	PX106-1KG5F	395	DP2000-H8 or H9

Comes with complete operator's manual.

\* See section D for compatible meters.

**Ordering Example:** PX106-100G5F, 1 kHz output at 0 psi and 6 kHz output at 100 psi, \$395.

## ACCESSORIES

MODEL NO.	PRICE	DESCRIPTION
PX106-CONNECTOR	\$6	Spare connector
EE-2530	220	Reference Book: Handbook of Systems Engineering

# omega.co.uk<sup>®</sup>

Your One-Stop Source for Process Measurement and Control!

Freephone 0800 488 488 | International +44(0) 161 777 6622 | Fax +44(0) 161 777 6622 | Sales@omega.co.uk

[www.omega.co.uk](http://www.omega.co.uk)



#### UNITED STATES

[www.omega.com](http://www.omega.com)

1-800-TC-OMEGA  
Stamford, CT.

#### CANADA

[www.omega.ca](http://www.omega.ca)

Laval(Quebec)  
1-800-TC-OMEGA

#### GERMANY

[www.omega.de](http://www.omega.de)

Deckenfronn, Germany  
0800-8266342

#### UNITED KINGDOM

[www.omega.co.uk](http://www.omega.co.uk)

Manchester, England  
0800-488-488  
+44-(0)161-777-6611

#### FRANCE

[www.omega.fr](http://www.omega.fr)

0800-466-342

#### BENELUX

[www.omega.nl](http://www.omega.nl)

0800-099-33-44



## More than 100,000 Products Available!

### • Temperature

Calibrators, Connectors, General Test and Measurement Instruments, Handheld Instruments for Temperature Measurement, Ice Point References, Indicating Labels, Crayons, Cements and Lacquers, Infrared Temperature Measurement Instruments, Recorders, Relative Humidity Measurement Instruments, PT100 Probes, PT100 Elements, Temperature & Process Meters, Timers and Counters, Temperature and Process Controllers and Power Switching Devices, Thermistor Elements, Probes and Assemblies, Thermocouples, Thermowells and Head and Well Assemblies, Transmitters, Thermocouple Wire, RTD Probes

### • Flow and Level

Air Velocity Indicators, Doppler Flowmeters, Level Measurement, Magnetic Flowmeters, Mass Flowmeters, Pitot Tubes, Pumps, Rotameters, Turbine and Paddle Wheel Flowmeters, Ultrasonic Flowmeters, Valves, Variable Area Flowmeters, Vortex Shedding Flowmeters

### • pH and Conductivity

Conductivity Instrumentation, Dissolved Oxygen Instrumentation, Environmental Instrumentation, pH Electrodes and Instruments, Water and Soil Analysis Instrumentation

### • Data Acquisition

Communication Products and Converters, Data Acquisition and Analysis Software, Data Loggers Plug-in Cards, Signal Conditioners, USB, RS232, RS485, Ethernet and Parallel Port Data Acquisition Systems, Wireless Transmitters and Receivers

### • Pressure, Strain and Force

Displacement Transducers, Dynamic Measurement Force Sensors, Instrumentation for Pressure and Strain Measurements, Load Cells, Pressure Gauges, Pressure Reference Section, Pressure Switches, Pressure Transducers, Proximity Transducers, Regulators, Pressure Transmitters, Strain Gauges, Torque Transducers, Valves

### • Heaters

Band Heaters, Cartridge Heaters, Circulation Heaters, Comfort Heaters, Controllers, Meters and Switching Devices, Flexible Heaters, General Test and Measurement Instruments, Heater Hook-up Wire, Heating Cable Systems, Immersion Heaters, Process Air and Duct, Heaters, Radiant Heaters, Strip Heaters, Tubular Heaters