

LOW-COST TRANSDUCERS FOR VACUUM/ ABSOLUTE/DIFFERENTIAL/GAGE MEASUREMENTS FOR MEASUREMENT OF CLEAN GASES

PX140 Series

±2.5 to 0-30 psi
±0.1 to 0-2 bar

All Ranges
\$120



PX142-015D5V, \$120, shown larger than actual size.

- Silicon Diaphragm
- High-Level Output: 1 to 6 Vdc @ 8 Vdc Excitation
- Pressure, Vacuum, Differential, Gage, and Absolute Types
- Printed Circuit Board Terminals Exit on Opposite Side from the Ports
- High-Impact Plastic Case
- Accurate
- All Models Temperature Compensated

See page C-10 for connector CX136-3

SPECIFICATIONS

Excitation: 8 Vdc regulated (7 to 16 limits) @ 8 mA
Output: 1 to 6 Vdc (±2.5 Vdc PX143)
Linearity: ±0.75% FS BFSL (±1.5% FS PX143)
Hysteresis: 0.15% FS (0.30% FS ≤5 psi range)
Zero Balance: 1.0 Vdc ±0.05 (3.50 Vdc ±0.05 PX143)

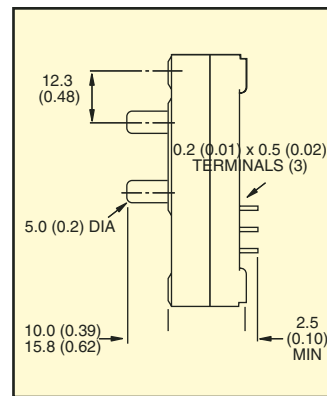
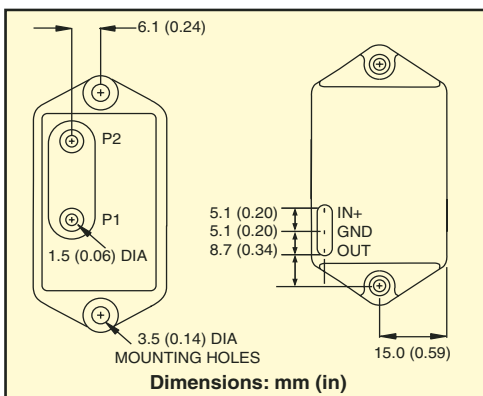
Operable Overpressure: 3x range except (60 psi for 30 psi range, 20 psi for 5 psi)

Response Time: 1 ms

MEDIA COMPATIBILITY

Absolute and P1: Dry gases only
Gage and P2: Limited only to those media that will not attack polyester, silicon, borosilicate glass or epoxy adhesive

Compensated Temperature Range: -18 to 63°C (0 to 145°F)



ALL MODELS AVAILABLE FOR FAST DELIVERY!

To Order (Specify Model Number)

RANGE	TYPE	MODEL NO.	PRICE	COMPATIBLE METERS*	
-1 to 0 psiv	-0.07 to 0 bar	Vacuum	PX141-001D5V	\$120	DP41-E, DP25B-E, DP24-E
-5 to 0 psiv	-0.03 to 0 bar	Vacuum	PX141-005V5V	120	DP41-E, DP25B-E, DP24-E
-15 to 0 psiv	-1 to 0 bar	Vacuum	PX141-015V5V	120	DP41-E, DP25B-E, DP24-E
0 to 15 psia	0 to 1.0 bar	Absolute	PX142-015A5V	120	DP41-E, DP25B-E, DP24-E
0 to 30 psia	0 to 2.1 bar	Absolute	PX142-030A5V	120	DP41-E, DP25B-E, DP24-E
0 to 1 psid	0 to 0.069 bar	Differential	PX142-001D5V	120	DP41-E, DP25B-E, DP24-E
0 to 2 psid	0 to 0.14 bar	Differential	PX142-002D5V	120	DP41-E, DP25B-E, DP24-E
0 to 5 psid	0 to 0.34 bar	Differential	PX142-005D5V	120	DP41-E, DP25B-E, DP24-E
0 to 15 psid	1.0 bar	Differential	PX142-015D5V	120	DP41-E, DP25B-E, DP24-E
0 to 30 psid	0 to 2.1 bar	Differential	PX142-030D5V	120	DP41-E, DP25B-E, DP24-E
±1 psid	±0.069 bar	Differential	PX143-01BD5V	120	DP41-E, DP25B-E, DP24-E
±2.5 psid	±0.17 bar	Differential	PX143-2.5BD5V	120	DP41-E, DP25B-E, DP24-E
±5 psid	±0.34 bar	Gage	PX143-05BD5V	120	DP41-E, DP25B-E, DP24-E
±15 psid	±1.0 bar	Differential	PX143-15BD5V	120	DP41-E, DP25B-E, DP24-E

Comes with complete operator's manual.

* See section D for compatible meters.

Ordering Example: PX142-015D5V, 0 to 15 psi differential pressure, \$120. PX141-005V5V, -5 psi to 0 vacuum range, \$120.

ACCESSORY

MODEL NO.	PRICE	DESCRIPTION
ME-1805	\$131	Reference Book: Instrumentation Fundamentals

VOLTAGE OUTPUT
PRESSURE TRANSDUCERS
B

omega.co.uk[®]

Your One-Stop Source for Process Measurement and Control!

Freephone 0800 488 488 | International +44(0) 161 777 6622 | Fax +44(0) 161 777 6622 | Sales@omega.co.uk

www.omega.co.uk



UNITED STATES

www.omega.com

1-800-TC-OMEGA
Stamford, CT.

UNITED KINGDOM

www.omega.co.uk

Manchester, England
0800-488-488
+44-(0)161-777-6611

CANADA

www.omega.ca

Laval(Quebec)
1-800-TC-OMEGA

FRANCE

www.omega.fr

0800-466-342

GERMANY

www.omega.de

Deckenfronn, Germany
0800-8266342

BENELUX

www.omega.nl

0800-099-33-44



More than 100,000 Products Available!

• Temperature

Calibrators, Connectors, General Test and Measurement Instruments, Handheld Instruments for Temperature Measurement, Ice Point References, Indicating Labels, Crayons, Cements and Lacquers, Infrared Temperature Measurement Instruments, Recorders, Relative Humidity Measurement Instruments, PT100 Probes, PT100 Elements, Temperature & Process Meters, Timers and Counters, Temperature and Process Controllers and Power Switching Devices, Thermistor Elements, Probes and Assemblies, Thermocouples, Thermowells and Head and Well Assemblies, Transmitters, Thermocouple Wire, RTD Probes

• Flow and Level

Air Velocity Indicators, Doppler Flowmeters, Level Measurement, Magnetic Flowmeters, Mass Flowmeters, Pitot Tubes, Pumps, Rotameters, Turbine and Paddle Wheel Flowmeters, Ultrasonic Flowmeters, Valves, Variable Area Flowmeters, Vortex Shedding Flowmeters

• pH and Conductivity

Conductivity Instrumentation, Dissolved Oxygen Instrumentation, Environmental Instrumentation, pH Electrodes and Instruments, Water and Soil Analysis Instrumentation

• Data Acquisition

Communication Products and Converters, Data Acquisition and Analysis Software, Data Loggers Plug-in Cards, Signal Conditioners, USB, RS232, RS485, Ethernet and Parallel Port Data Acquisition Systems, Wireless Transmitters and Receivers

• Pressure, Strain and Force

Displacement Transducers, Dynamic Measurement Force Sensors, Instrumentation for Pressure and Strain Measurements, Load Cells, Pressure Gauges, Pressure Reference Section, Pressure Switches, Pressure Transducers, Proximity Transducers, Regulators, Pressure Transmitters, Strain Gauges, Torque Transducers, Valves

• Heaters

Band Heaters, Cartridge Heaters, Circulation Heaters, Comfort Heaters, Controllers, Meters and Switching Devices, Flexible Heaters, General Test and Measurement Instruments, Heater Hook-up Wire, Heating Cable Systems, Immersion Heaters, Process Air and Duct, Heaters, Radiant Heaters, Strip Heaters, Tubular Heaters