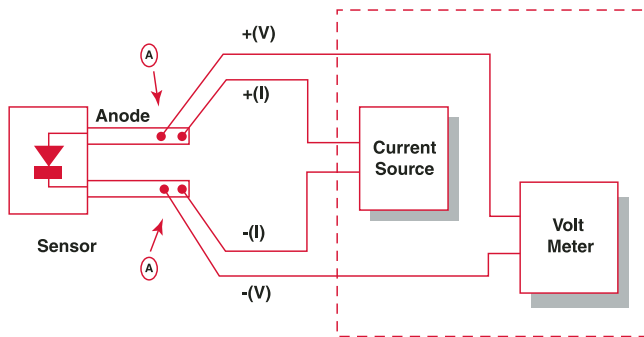
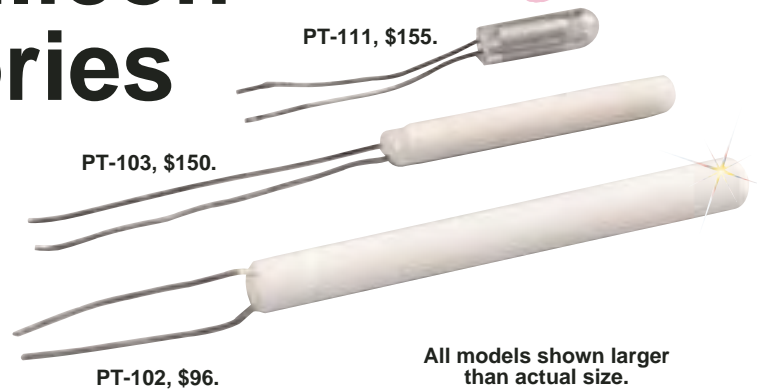


Platinum Resistance Sensors and Silicon Diode Accessories



Typical connection for sensors such as the CY7 Series. The connection points (A) are made close to the sensor in the case of 4-lead measurement, and near or at the instrumentation for a 2-lead measurement. Generally, the 4-lead connection is preferred.



PT-111, \$155.

PT-103, \$150.

PT-102, \$96.

All models shown larger than actual size.

100 Ω Platinum Resistance Sensors

MOST POPULAR MODELS HIGHLIGHTED!

To Order (Specify Model Number)

Model No.	Price	Description
PT-102	\$96	Sensor, 14 to 873 K, 2 x 20.3 mm
PT-103	150	Sensor, 14 to 873 K, 1.8 x 12.1 mm
PT-111	155	Sensor, 14 to 673 K, 1.8 x 5 mm

Ordering Example: PT-102, 100 Ω Platinum resistance sensor, \$96.

Accessories

Model No.	Price	Description
CY82-P1	\$15	Sensor plug for CYTX231 Series
CY82-P2	15	Sensor plug for CYC320 Series
CY82-P3	35	Sensor plug and back shell for CYD218E
CY82-P4	35	14-pin connector for CYD218S for relays and analog outputs

Special Low Thermal Conductivity Extension Wire for CY7 Series Diodes

Model No.	Price	Description
CYW4-32-25	\$160	4-lead wire, 32 AWG, 7.6 m (25')*
CYW4-32-100	370	4-lead wire, 32 AWG, 30 m (100')*
CYW4-32-500	1200	4-lead wire, 32 AWG, 152 m (500')*
CYW4-36-25	120	4-lead wire, 36 AWG, 7.6 m (25')*
CYW4-36-100	260	4-lead wire, 36 AWG, 30 m (100')*
CYW4-36-500	860	4-lead wire, 36 AWG, 152 m (500')*

* Phosphor bronze wire, insulation is polyimide on 32 AWG wire and formvar (vinyl acetal) on 36 AWG wire. Both types of insulation are rated down to 1.4 K.

Ordering Examples: CYW4-32-500, 4-lead wire, 32 AWG, 152 m (500') \$1200.

CYW4-36-500, 4-lead wire, 36 AWG, 152 m (500'), \$860.

Constant Current Power Supply

Model No.	Price	Description
CY101-PS	\$259	9 V battery [†] powered, factory preset @ 10 μ A internally selectable 1 μ A to 1 mA
CY120-PS	750	120 Vac powered, switch selectable 1 μ A to 100 mA

[†] Battery included.

Ordering Example: CY120-PS, 120 Vac powered, switch selectable 1 μ A to 100 mA, \$750.

The Handbook of Cryogenic Engineering
J.G. Weisend II

This book is designed to provide useful data to solve real-world problems in the field of cryogenics. The book should help readers looking for a particular data point or equation and those dealing with an overview of the topic. It is a reference text designed for engineers, scientists, and students in the field of cryogenics, as well as those whose work brings them into contact with the area. It looks at topics such as: the properties of cryogenic fluids; cryogenic properties of materials; heat transfer in cryogenics; instrumentation; cryostat design; cryocoolers; superconducting magnets; and cryogenic equipment and safety.

Order No. GE-2411 **\$315**

See Book of Books[®] Section Y for additional literature, or visit books1.com



CY120-PS power supply, \$750, shown smaller than actual size.



omega.co.uk[®]

Your One-Stop Source for Process Measurement and Control!

Freephone 0800 488 488 | International +44(0) 161 777 6622 | Fax +44(0) 161 777 6622 | Sales@omega.co.uk

www.omega.co.uk



UNITED STATES

www.omega.com

1-800-TC-OMEGA
Stamford, CT.

CANADA

www.omega.ca

Laval(Quebec)
1-800-TC-OMEGA

GERMANY

www.omega.de

Deckenfronn, Germany
0800-8266342

UNITED KINGDOM

www.omega.co.uk

Manchester, England
0800-488-488
+44-(0)161-777-6611

FRANCE

www.omega.fr

0800-466-342

BENELUX

www.omega.nl

0800-099-33-44



More than 100,000 Products Available!

• Temperature

Calibrators, Connectors, General Test and Measurement Instruments, Handheld Instruments for Temperature Measurement, Ice Point References, Indicating Labels, Crayons, Cements and Lacquers, Infrared Temperature Measurement Instruments, Recorders, Relative Humidity Measurement Instruments, PT100 Probes, PT100 Elements, Temperature & Process Meters, Timers and Counters, Temperature and Process Controllers and Power Switching Devices, Thermistor Elements, Probes and Assemblies, Thermocouples, Thermowells and Head and Well Assemblies, Transmitters, Thermocouple Wire, RTD Probes

• Flow and Level

Air Velocity Indicators, Doppler Flowmeters, Level Measurement, Magnetic Flowmeters, Mass Flowmeters, Pitot Tubes, Pumps, Rotameters, Turbine and Paddle Wheel Flowmeters, Ultrasonic Flowmeters, Valves, Variable Area Flowmeters, Vortex Shedding Flowmeters

• pH and Conductivity

Conductivity Instrumentation, Dissolved Oxygen Instrumentation, Environmental Instrumentation, pH Electrodes and Instruments, Water and Soil Analysis Instrumentation

• Data Acquisition

Communication Products and Converters, Data Acquisition and Analysis Software, Data Loggers Plug-in Cards, Signal Conditioners, USB, RS232, RS485, Ethernet and Parallel Port Data Acquisition Systems, Wireless Transmitters and Receivers

• Pressure, Strain and Force

Displacement Transducers, Dynamic Measurement Force Sensors, Instrumentation for Pressure and Strain Measurements, Load Cells, Pressure Gauges, Pressure Reference Section, Pressure Switches, Pressure Transducers, Proximity Transducers, Regulators, Pressure Transmitters, Strain Gauges, Torque Transducers, Valves

• Heaters

Band Heaters, Cartridge Heaters, Circulation Heaters, Comfort Heaters, Controllers, Meters and Switching Devices, Flexible Heaters, General Test and Measurement Instruments, Heater Hook-up Wire, Heating Cable Systems, Immersion Heaters, Process Air and Duct, Heaters, Radiant Heaters, Strip Heaters, Tubular Heaters