

# Series 385A

General Purpose Test Well for 3/8" Diameter Elements



**Application:** Armored liquid-in-glass test thermometers. #14-gage test thermocouples. Bimetal test thermometers.

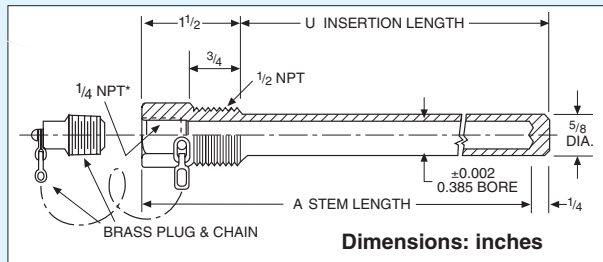
**Connection Size:** 1/2" NPT external thread is standard.  
**Lagging Extension:** When extra head length is required to extend through insulation, 2 1/2" lagging extension is standard.

**Materials:** Brass (ASTM B-16), Carbon Steel (C-1018), A.I.S.I. 304 & A.I.S.I. 316 Stainless Steel. Other materials available on request.

**Cap and Chain:** Captive plug & chain is furnished on all wells as standard.



## Series 385A—General Use



Shown close to actual size.

**MOST POPULAR MODELS HIGHLIGHTED!**

### To Order (Specify Model Number)

Model Number	Materials and Prices				Insert Lgth U	Stem Lgth A
	Stainless Steel 304	Stainless Steel 316	Carbon Steel	Brass		
1/2-385A-U2-(*)	\$30.00	\$40.50	\$27.50	\$27.50	2	3 1/4
1/2-385A-U4-(*)	36.50	49.00	31.00	31.00	4	5 1/4
1/2-385A-U6-(*)	43.00	58.00	36.00	36.00	6	7 1/4
1/2-385A-U8-(*)	50.50	67.00	41.00	41.00	8	9 1/4
1/2-385A-U10-(*)	57.00	76.00	45.00	45.00	10	11 1/4
1/2-385A-U12-(*)	63.00	85.50	49.00	49.00	12	13 1/4

\* Specify material type "304SS" for 304 Stainless Steel, "316SS" for 316 Stainless Steel, "CS" for Carbon Steel or "BRASS" for brass. PFA coating available, see page B-14.

### Velocity Rating – feet per second

Material	Insertion Length—"U"					
	2	4	6	8	10	12
Brass	362 (74)	115 (37)	51.4 (24.7)	28.9 (18.5)	18.5 (14.8)	12.8 (12.3)
Carbon Steel	422 (156)	155 (78)	69.1 (52.1)	38.9	24.9	17.3
A.I.S.I. 304 & 316	450 (223)	162 (112)	72.2	40.6	26.0	18.1
Monel	382 (147)	145 (73.8)	64.7 (49.2)	36.4	23.3	16.1

Where single values appear in the velocity tables, these may be considered safe for water, steam, air or gas. In the shorter insertion lengths, consideration is given to the velocity pressure effect of water flowing at higher velocities. The values in parentheses, therefore, represent safe values for water flow, while the unbracketed values may be used for steam, air, gas and similar density fluids.

### Pressure-Temperature rating—lb per square inch

Material	Temperature — °F						
	70°	200°	400°	600°	800°	1000°	1200°
Brass	2810	2530	440	—	—	—	—
Carbon Steel	3160	3040	2900	2770	2110	920	—
A.I.S.I. 304	4120	3740	3400	3280	3180	2750	990
A.I.S.I. 316	4120	4120	3850	3760	3680	3080	1490

**Ordering Example:** 1/2-385A-U4-304SS, 304 SS, 1/2" NPT thread with 0.385" dia. bore for sensor with 4" insertion length, \$36.50.

# Series 260A

Limited Space Thermowell for 1/4" Diameter Elements



**Application:** Used where short insertion length is necessary as in short legs of tees, etc. Also fits the 2 1/2" length bimetal thermometer with 1/4" stem diameter.

**Connection Size:** 3/4" NPT and 1" NPT external thread.

**Materials:** Brass (ASTM B-16), Carbon Steel (C-1018), A.I.S.I. 304 & A.I.S.I. 316 Stainless Steel. Other materials available on request.

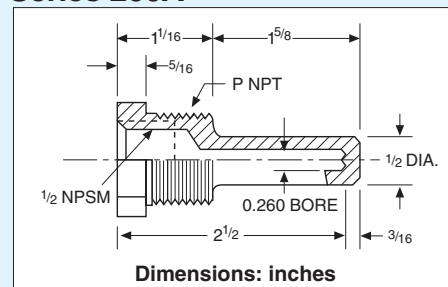
### To order, Cap and Chain:

For Brass cap, add \$4 to price and add suffix "-CC (Brass)" to the end of the model number in your order.

For 304 SS cap, add \$7 to price and add suffix "-CC (304SS)" to the end of the model number.



## Series 260A



Shown smaller than actual size.

**MOST POPULAR MODELS HIGHLIGHTED!**

### To Order (Specify Model Number)

External Thread P	Model Number	Materials and Prices			
		Stainless Steel 304	Stainless Steel 316	Carbon Steel	Brass
3/4" NPT	3/4-260A-U15/8-(*)	\$26.00	\$35.50	\$20.00	\$20.00
1" NPT	1-260A-U15/8-(*)	29.50	40.00	24.50	24.50

\* Specify material type "304SS" for 304 Stainless Steel, "316SS" for 316 Stainless Steel, "CS" for Carbon Steel or "BRASS" for brass.

**Ordering Example:** 3/4-260A-U15/8-304SS, 304 SS, 3/4" NPT thread with 0.260" dia. bore for sensor with 1 5/8" insertion length, \$26.

Pressure-Temperature Rating: Use values given for Series 260S Wells

Velocity Rating: Use values given for Series 260S Wells in 2 1/2" insertion length column

# Custom Thermowells Available!

## Protective Coatings for Thermowells:

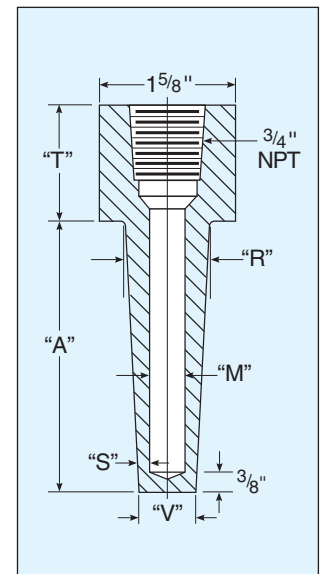
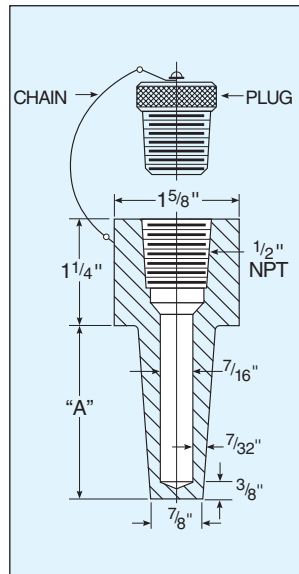
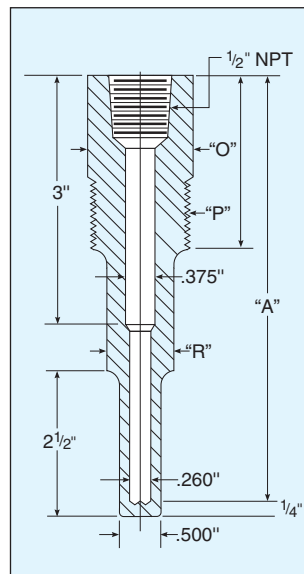
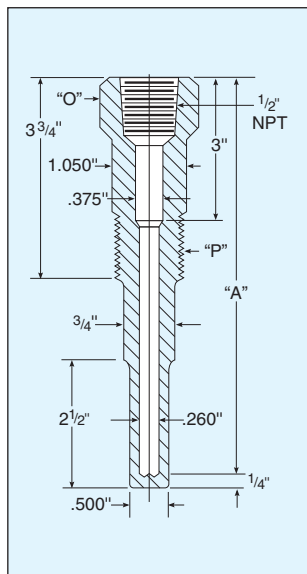
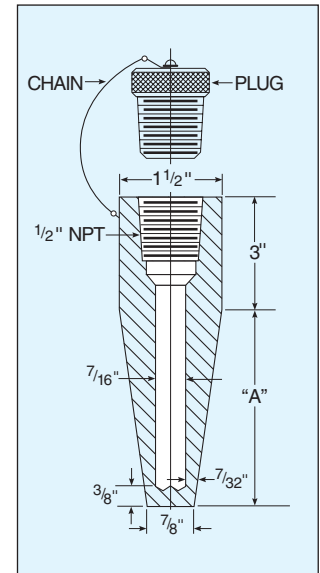
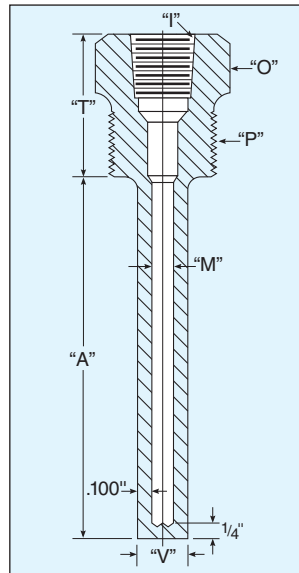
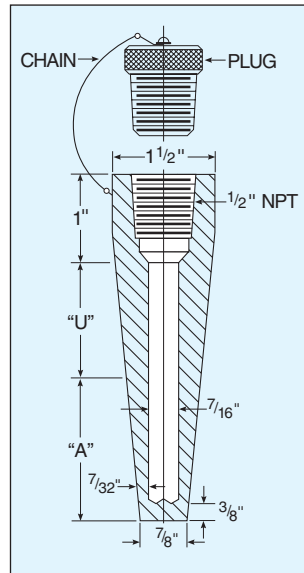
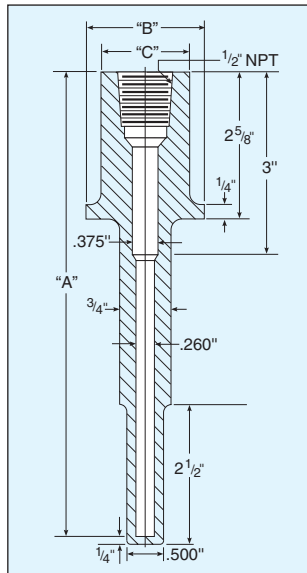
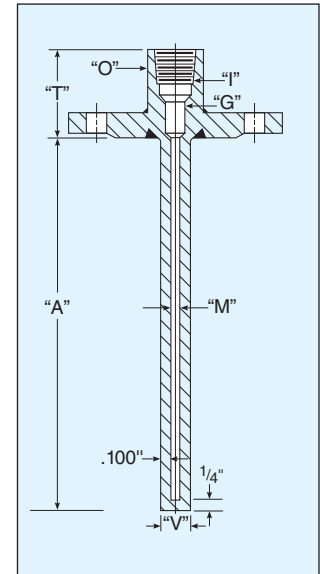
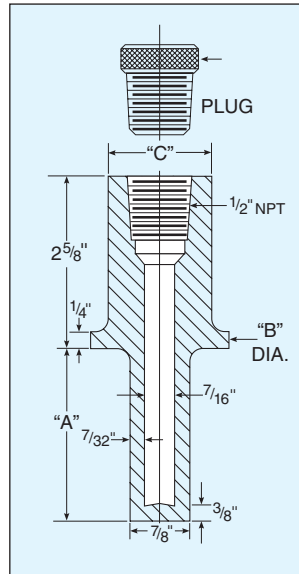
- Resist Corrosion
  - For Chemical Baths
  - Color-Coded Sensors for Process Control
  - Available in PFA, Epoxy and other materials
- Please consult Sales Department for complete information

**Just a few of OMEGA's special and custom well styles that are too numerous to list. If you need a special well, consult OMEGA.**

### Discount Schedule

1-10.....Net	25-100.....20%
11-24.....10%	101 and up.....Consult Sales

Discounts apply to similar thermowells.





#### UNITED STATES

[www.omega.com](http://www.omega.com)  
1-800-TC-OMEGA  
Stamford, CT.

#### CANADA

[www.omega.ca](http://www.omega.ca)  
Laval(Quebec)  
1-800-TC-OMEGA

#### GERMANY

[www.omega.de](http://www.omega.de)  
Deckenpfronn, Germany  
0800-8266342

#### UNITED KINGDOM

[www.omega.co.uk](http://www.omega.co.uk)  
Manchester, England  
0800-488-488

#### FRANCE

[www.omega.fr](http://www.omega.fr)  
Guyancourt, France  
088-466-342

#### CZECH REPUBLIC

[www.omegaeng.cz](http://www.omegaeng.cz)  
Karviná, Czech Republic  
596-311-899

#### BENELUX

[www.omega.nl](http://www.omega.nl)  
Amstelveen, NL  
0800-099-33-44



## More than 100,000 Products Available!

### • Temperature

Calibrators, Connectors, General Test and Measurement Instruments, Glass Bulb Thermometers, Handheld Instruments for Temperature Measurement, Ice Point References, Indicating Labels, Crayons, Cements and Lacquers, Infrared Temperature Measurement Instruments, Recorders Relative Humidity Measurement Instruments, RTD Probes, Elements and Assemblies, Temperature & Process Meters, Timers and Counters, Temperature and Process Controllers and Power Switching Devices, Thermistor Elements, Probes and Assemblies, Thermocouples Thermowells and Head and Well Assemblies, Transmitters, Wire

### • Flow and Level

Air Velocity Indicators, Doppler Flowmeters, Level Measurement, Magnetic Flowmeters, Mass Flowmeters, Pitot Tubes, Pumps, Rotameters, Turbine and Paddle Wheel Flowmeters, Ultrasonic Flowmeters, Valves, Variable Area Flowmeters, Vortex Shedding Flowmeters

### • pH and Conductivity

Conductivity Instrumentation, Dissolved Oxygen Instrumentation, Environmental Instrumentation, pH Electrodes and Instruments, Water and Soil Analysis Instrumentation

### • Data Acquisition

Auto-Dialers and Alarm Monitoring Systems, Communication Products and Converters, Data Acquisition and Analysis Software, Data Loggers Plug-in Cards, Signal Conditioners, USB, RS232, RS485 and Parallel Port Data Acquisition Systems, Wireless Transmitters and Receivers

### • Pressure, Strain and Force

Displacement Transducers, Dynamic Measurement Force Sensors, Instrumentation for Pressure and Strain Measurements, Load Cells, Pressure Gauges, Pressure Reference Section, Pressure Switches, Pressure Transducers, Proximity Transducers, Regulators, Strain Gages, Torque Transducers, Valves

### • Heaters

Band Heaters, Cartridge Heaters, Circulation Heaters, Comfort Heaters, Controllers, Meters and Switching Devices, Flexible Heaters, General Test and Measurement Instruments, Heater Hook-up Wire, Heating Cable Systems, Immersion Heaters, Process Air and Duct, Heaters, Radiant Heaters, Strip Heaters, Tubular Heaters