

Universal Jack Panels

Accepts Both Standard and Miniature Connectors

ANSI color code shown
To order IEC color code visit omega.com

UJP Series



- ✓ Fully Assembled
- ✓ Snap-in Color-Coded Jacks
- ✓ Numbered Circuits
- ✓ Easy Installation
- ✓ Convenient
- ✓ Rugged 2.3 mm (0.09") Aluminum Panel

PATENTED

Covered by U.S. and International Patents and Pending Applications.

4.8 mm (0.19")

4.8 mm (0.19")

Edge to center

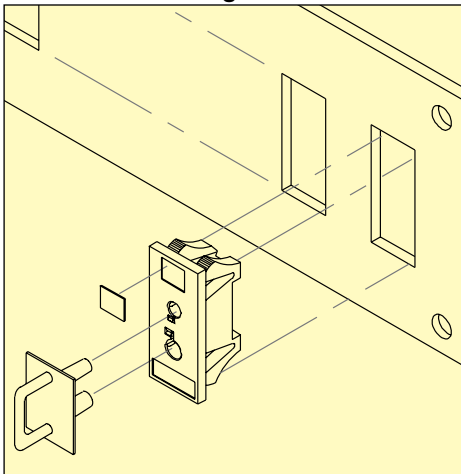
4.8 mm (0.19") diameter

"FITS ALL"

Shown actual size.



Mounts in a Rectangular Cutout



The UJP universal jack panels are the first and only panels that work with both standard and miniature connectors. This innovative design means you don't have to mix standard and mini panels, and it eliminates needless duplication of panel equipment. The jacks are compatible with every standard and miniature connector, no matter what size.

The jacks are molded of high-impact plastic and have a maximum service temperature of 205°C (400°F). The panels are machined from rugged 2.3 mm (0.09") aluminum with a

brushed finish. Clear anodizing adds durability and corrosion resistance.

In addition to the sizes and styles shown, OMEGA can custom manufacture these universal jack panels to your individual specifications. Simply provide overall dimensions, quantity, number of rows and calibration(s) of jacks desired, and OMEGA will make the panel to meet your needs.

Dust Caps:
SPJ-CAP-12/package of 12



Single, Off-The-Shelf, Color-Coded Jack Panels with Standard Connectors

To Order Visit omega.com/ujp for Pricing and Details

Circuits Per Row	Dimensions in mm (in)	1 Row 67 H (2.63)	2 Rows 111 H (4.38)	3 Rows 168 H (6.63)	4 Rows 203 H (8.00)
6 146 mm L (5.75")	Model No.	UJP-1-6-(*)	UJP-2-12-(*)	UJP-3-18-(*)	UJP-4-24-(*)
12 260 mm L (10.25")	Model No.	UJP-1-12-(*)	UJP-2-24-(*)	UJP-3-36-(*)	UJP-4-48-(*)
18 375 mm L (14.75")	Model No.	UJP-1-18-(*)	UJP-2-36-(*)	UJP-3-54-(*)	UJP-4-72-(*)

* Specify calibration: J, K, T, E, R, S, N or U.

Ordering Example: UJP-1-6-K, Single row color-coded jack panel with Type K connector.

Quantity Discount Information

To price more than one panel of any type, use the price schedule available at omega.com:

- 1 Row.....panel, + jacks
- 2 Rows.....panel, + jacks
- 3 Rows.....panel, + jacks
- 4 Rows.....panel, + jacks

Universal panel jacks, Model No. **UPJ** Calibrations J, K, T, E, R, S, N and U. Use connector quantity discount schedule at right. Blank panel prices are not discounted.

Note: All OMEGA® UJP jack panels are assembled at no extra cost!

Hole Spacing

4.8 mm (0.19") in on both sides,
4.8 mm (0.19") diameter hole for #8 screw.

Non-Standard Panels

Connector Quantity Discounts

1-10 units	Net
11-24 units	10%
25-49 units	15%
50-99 units	20%
100-999 units	25%
1000 and up	Consult Sales

Consult Sales Department for information on custom, color-coded anodized panels.