



# NORGREN EXCELON™ MODULAR FILTER/ REGULATORS

All models,  
shown smaller  
than actual size.

**B72G-2GK-  
AE3-RMG**  
**£54**

- In-Line or Modular Installation
- High Efficiency Water and Particle Removal
- Quick Release Bayonet Bowl
- Push to Lock Adjusting Knob with Tamper Resistant Accessory
- Optional Patented Quarter Turn Manual Drain

## SPECIFICATIONS

Fluid: Compressed air

Maximum Pressure:

Transparent Bowl: 10 bar

Metal Bowl: 17 bar

B72G with Metal Bowl and Auto Drain: 10 bar

Operating Temperature\*:

Transparent Bowl: -34 to 50°C

Metal Bowl: -34 to 80°C

## B72G MATERIALS

Body: Zinc

Bonnet: Acetal

Valve: Brass

Transparent Bowl: Polycarbonate

Metal Bowl: Zinc

Liquid Level Indicator Lens

(Metal Bowl): Transparent nylon

Element: Sintered polypropylene

Elastomers: Neoprene and nitrile

## B73G AND B74G MATERIALS

Body and Bonnet: Aluminium

Transparent Bowl: Polycarbonate

Guarded Transparent Bowl:

Polycarbonate with steel

Metal Bowl: Aluminium

Liquid Level Indicator Lens

(Metal Bowl): Transparent nylon (Pyrex™ optional)

Element: Sintered polypropylene

Elastomers: Neoprene and nitrile

\*Air supply must be dry enough to avoid ice formation at temperatures below 2°C



B72G-2GK-AE3, £54

B73G-3GK-AD3-RMG, £80

B74G-4GK-AD3-RMG, £92

## OPTIONS SELECTOR

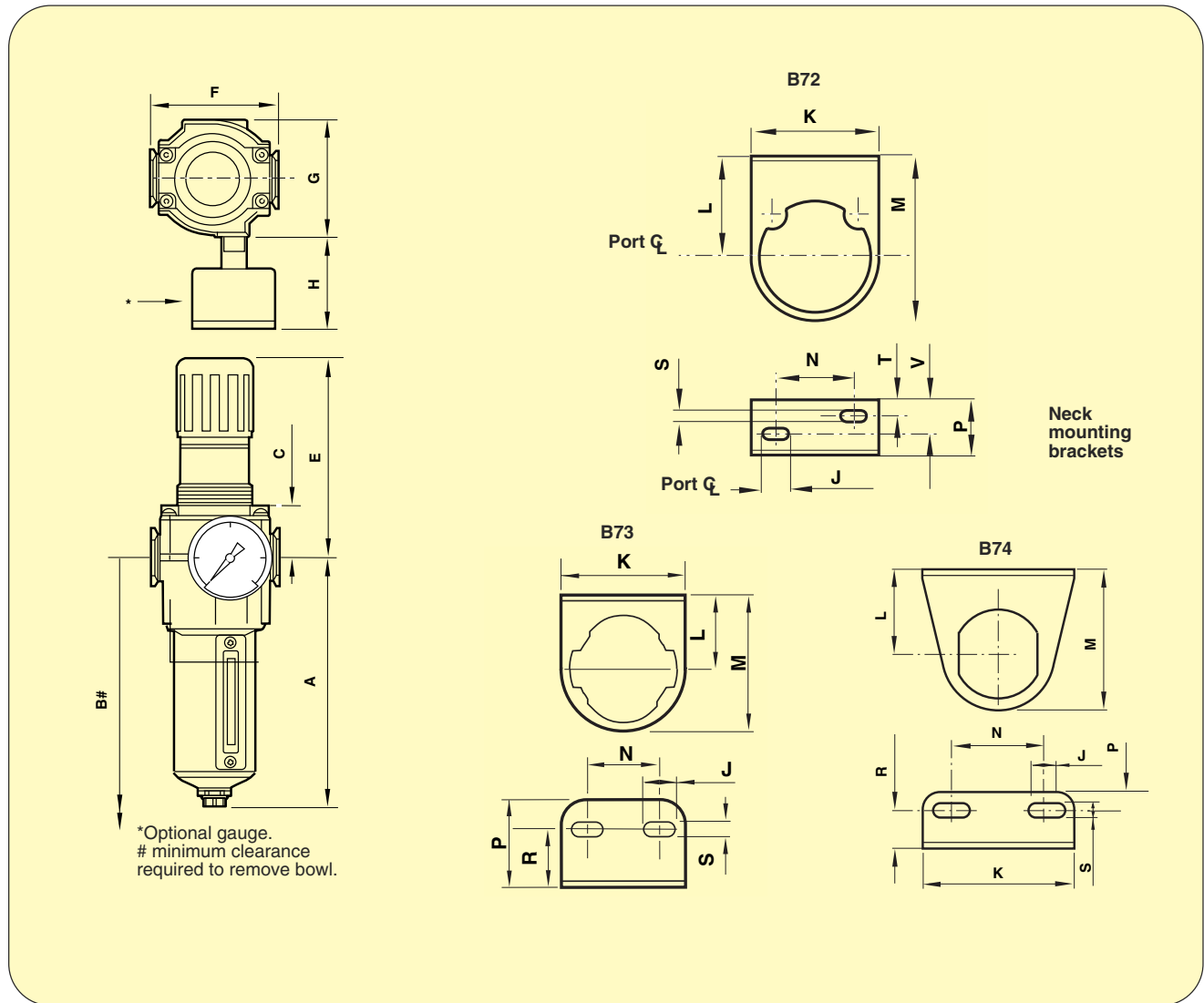
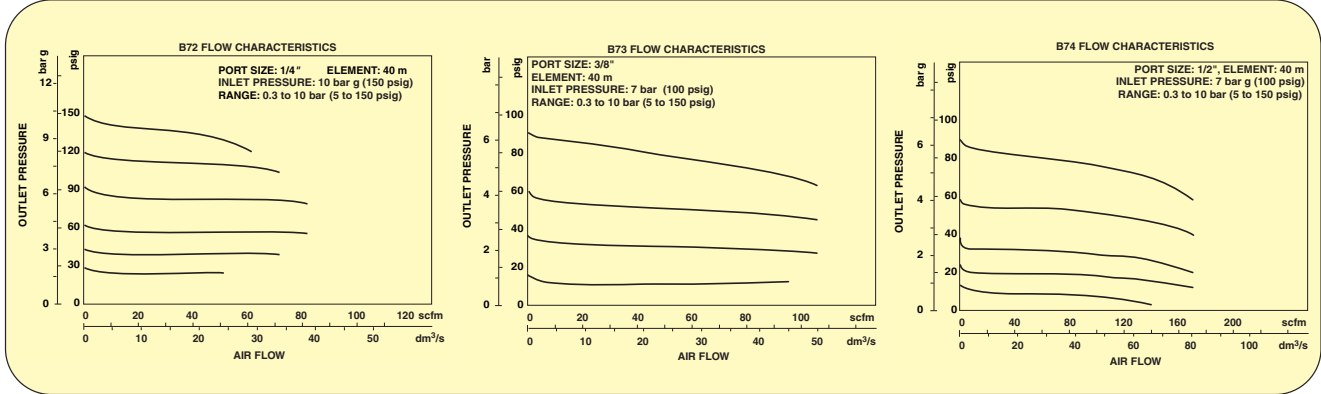
B7 G- - -

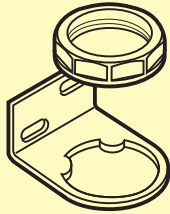
Series	Substitute	Gauge	Substitute
72	2	With	G
73	3	Without	N
74	4		
Port size	Substitute	Outlet pressure adjustment range*	Substitute
¼ (72 & 73)	2	0.3 to 4 bar	F
⅜ (72, 73, 74)	3	0.3 to 10 bar	M
½ (73 & 74)	4	0.7 to 17 bar	S
¾ (74)	6		
Threads	Substitute	Diaphragm	Substitute
PTF	A	Relieving	R
ISO G parallel	G		
Adjustment	Substitute	Element	Substitute
Knob	K	5 µm	1
T-bar	T	40 µm	3
Drain	Substitute	Bowl	Substitute
¼ turn manual	Q	Metal w/ liquid level indicator (72, 73, 74)	D
Auto drain*	A	Long metal w/ liquid level indicator (72)	E
		Long transparent (72)	L
		Transparent with guard (73, 74)	P
		Transparent bowl (72, 73)	T

\*72 Series auto drain is available only with long bowl option.  
\*Outlet pressure can be adjusted to pressures in excess of, and less than, those specified. Do not use these units to control pressures outside of the specified ranges.  
\*\*17 bar outlet pressure range units are available with t-handle adjustment only and standard metal bowl options.

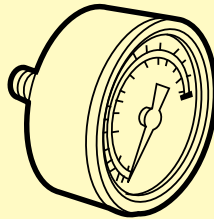


## TYPICAL PERFORMANCE CHARACTERISTICS

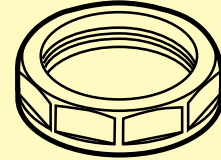




Neck mounting bracket



Gauge 0...11 bar



Panel nut

## DIMENSIONS

FILTER/REGULATOR (mm)										
SERIES	DRAIN TYPE	A	B	C	E	F	G	H	PANEL DIA	PANEL DEPTH
72	Semi auto	164	215	26	73	50	48	35	40	0 to 4
72	Auto	152	203	26	73	50	48	35	40	0 to 4
72	Manual	134	185	26	73	50	48	35	40	0 to 4
73	Auto	165	225	31	96	68	62	56	48	1.8 to 6.4
73	Manual	156	216	31	96	68	62	56	48	1.8 to 6.4
74	Auto	179	248	31	127	80	74	56	52	1.8 to 6.4
74	Manual	177	246	31	127	80	74	56	52	1.8 to 6.4

NECK MOUNTING BRACKETS (mm)										
SERIES	J	K	L	M	N	P	R	S	T	V
72	7.9	49.0	38.1	63.5	30.0	23.9	—	4.3	7.9	15.0
73	17.0	64.0	38.1	70.1	38.1	38.1	24.9	7.1	—	—
74	23.9	88.9	52.1	86.1	55.9	35.1	23.1	7.1	—	—

## To Order (Specify Model Number)

### MOST POPULAR MODELS HIGHLIGHTED!

MODEL NO.	PRICE	PORT SIZE ISO G	FLOW SCFM <sup>†</sup> (DM <sup>3</sup> /S)	WEIGHT kg
<b>B72G-2GK-AE3-RMG</b>	<b>£54</b>	¼	80 (38)	0.59
<b>B73G-3GK-AD3-RMG</b>	<b>80</b>	⅜	123 (58)	0.82
<b>B74G-4GK-AD3-RMG</b>	<b>92</b>	½	212 (100)	1.17

**Notes:** Models listed include ISO G threads, knob adjustment, automatic drain, metal bowl with liquid level indicator, 40 µm element, relieving diaphragm, 0.3 to 10 bar outlet pressure adjustment range\* with gauge.

\*Outlet pressure can be adjusted to pressures in excess of, and less than, those specified. Do not use these units to control pressures outside of the specified ranges.

<sup>†</sup>Typical flow with 10 bar inlet pressure, 6.3 bar set pressure and a 1 bar droop from set.

**Ordering Examples:** **B72G-2GK-AE3-RMG**, filter/regulator with ¼ G port, flow of up to 38 dm<sup>3</sup>/s, metal bowl with liquid level indicator, knob adjustment, £54. **B73G-3GK-AD3-RMG**, filter/regulator with ⅜ G port, flow up to 60 dm<sup>3</sup>/s, metal bowl with liquid level indicator, knob adjustment, £80.

## ACCESSORIES

MODEL NO.	PRICE	FILTER/REGULATOR	DESCRIPTION
<b>OM-AIR-74316-50</b>	<b>£3.80</b>	B72G	Neck mounting bracket
<b>OM-AIR-4461-50</b>	<b>4.30</b>	B73G	Neck mounting bracket
<b>OM-AIR-4368-51</b>	<b>8.10</b>	B74G	Neck mounting bracket
<b>OM-AIR-18-013-989</b>	<b>8.40</b>	B72G	Gauge, ¼ R 0 to 11 bar
<b>OM-AIR-18-013-269</b>	<b>8.40</b>	B73G, B74G	Gauge, ¼ R 0 to 11 bar
<b>OM-AIR-4248-89</b>	<b>1.15</b>	B72G	Panel nut
<b>OM-AIR-5191-88</b>	<b>2.90</b>	B73G	Panel nut
<b>OM-AIR-4348-89</b>	<b>2.50</b>	B74G	Panel nut



#### UNITED STATES

[www.omega.com](http://www.omega.com)

1-800-TC-OMEGA

Stamford, CT.

#### CANADA

[www.omega.ca](http://www.omega.ca)

Laval(Quebec)

1-800-TC-OMEGA

#### GERMANY

[www.omega.de](http://www.omega.de)

Deckenpfronn, Germany

0800-8266342

#### UNITED KINGDOM

[www.omega.co.uk](http://www.omega.co.uk)

Manchester, England

0800-488-488

#### FRANCE

[www.omega.fr](http://www.omega.fr)

088-466-342

#### CZECH REPUBLIC

[www.omegaeng.cz](http://www.omegaeng.cz)

Karviná, Czech Republic

596-311-899

#### BENELUX

[www.omega.nl](http://www.omega.nl)

0800-099-33-44



## More than 100,000 Products Available!

### • Temperature

Calibrators, Connectors, General Test and Measurement Instruments, Handheld Instruments for Temperature Measurement, Ice Point References, Indicating Labels, Crayons, Cements and Lacquers, Infrared Temperature Measurement Instruments, Recorders, Relative Humidity Measurement Instruments, PT100 Probes, PT100 Elements, Temperature & Process Meters, Timers and Counters, Temperature and Process Controllers and Power Switching Devices, Thermistor Elements, Probes and Assemblies, Thermocouples, Thermowells and Head and Well Assemblies, Transmitters, Thermocouple Wire, RTD Probes

### • Flow and Level

Air Velocity Indicators, Doppler Flowmeters, Level Measurement, Magnetic Flowmeters, Mass Flowmeters, Pitot Tubes, Pumps, Rotameters, Turbine and Paddle Wheel Flowmeters, Ultrasonic Flowmeters, Valves, Variable Area Flowmeters, Vortex Shedding Flowmeters

### • pH and Conductivity

Conductivity Instrumentation, Dissolved Oxygen Instrumentation, Environmental Instrumentation, pH Electrodes and Instruments, Water and Soil Analysis Instrumentation

### • Data Acquisition

Auto-Dialers and Alarm Monitoring Systems, Communication Products and Converters, Data Acquisition and Analysis Software, Data Loggers Plug-in Cards, Signal Conditioners, USB, RS232, RS485 and Parallel Port Data Acquisition Systems, Wireless Transmitters and Receivers

### • Pressure, Strain and Force

Displacement Transducers, Dynamic Measurement Force Sensors, Instrumentation for Pressure and Strain Measurements, Load Cells, Pressure Gauges, Pressure Reference Section, Pressure Switches, Pressure Transducers, Proximity Transducers, Regulators, Pressure Transmitters, Strain Gauges, Torque Transducers, Valves

### • Heaters

Band Heaters, Cartridge Heaters, Circulation Heaters, Comfort Heaters, Controllers, Meters and Switching Devices, Flexible Heaters, General Test and Measurement Instruments, Heater Hook-up Wire, Heating Cable Systems, Immersion Heaters, Process Air and Duct, Heaters, Radiant Heaters, Strip Heaters, Tubular Heaters