



LINEAR SLIDES—PNEUMATIC MINI DLM DIRECTCONNECT™ MODULAR SERIES

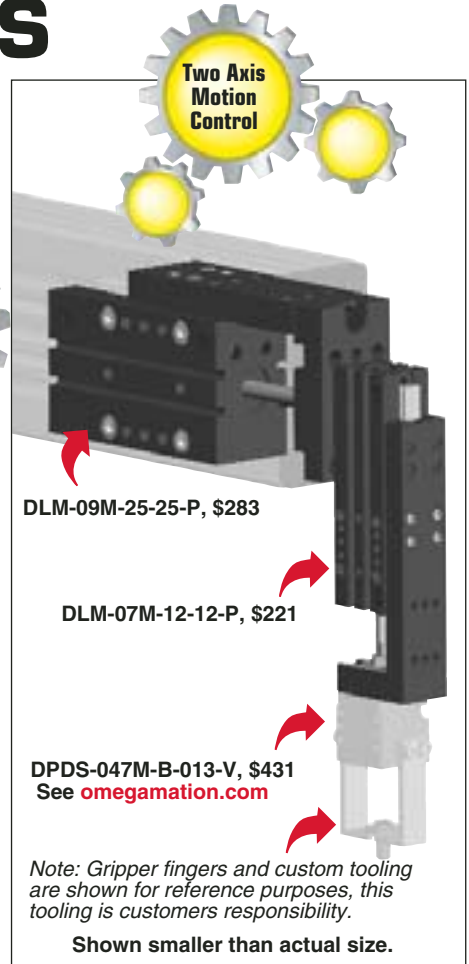
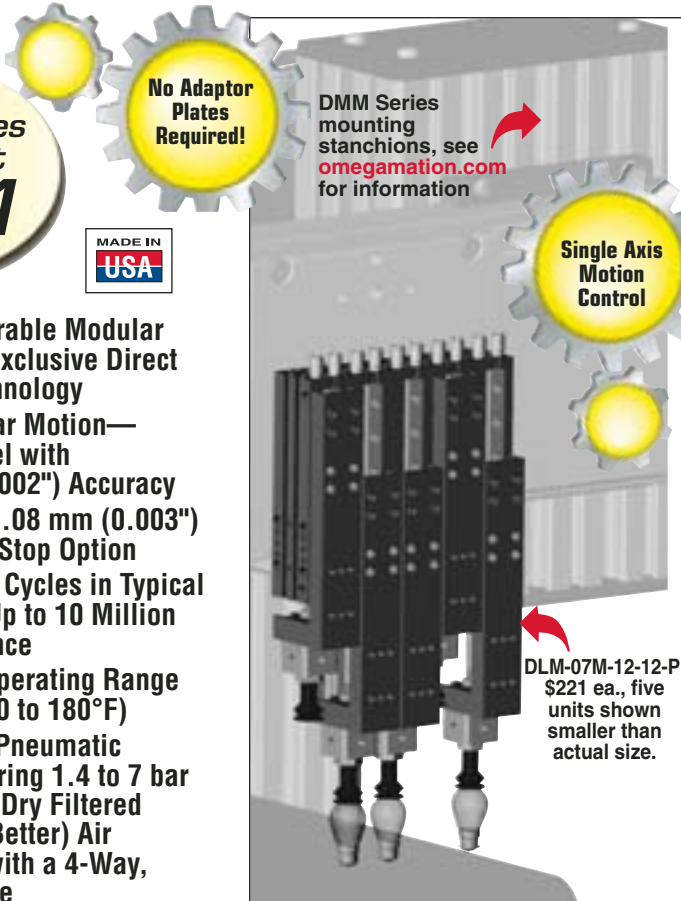


Robohand inc.
A DOWNEY COMPANY

DLM Series
Starts at
\$221



- Highly Configurable Modular Automation—Exclusive Direct Connect™ Technology
- Precision Linear Motion—25 mm of Travel with 0.005 mm (0.0002") Accuracy
- Repeatability 0.08 mm (0.003") with Precision Stop Option
- Up to 5 Million Cycles in Typical Application—Up to 10 Million with Maintenance
- Temperature Operating Range -35 to 80°C (-30 to 180°F)
- Double Acting Pneumatic Cylinder Requiring 1.4 to 7 bar (20 to 100 psi) Dry Filtered (40 Micron or Better) Air Supply Along with a 4-Way, 2 Position Valve



PRODUCT FEATURES

Double Bearing (-D Option)

Three longer stroke sizes available with two bearings as an option for greater moment capacity

Multiple Air Port Locations

4 standard airport location (bottom, back, and both sides)

Retract Stroke Adjustment

5 mm adjustment

Dowel Holes Standard

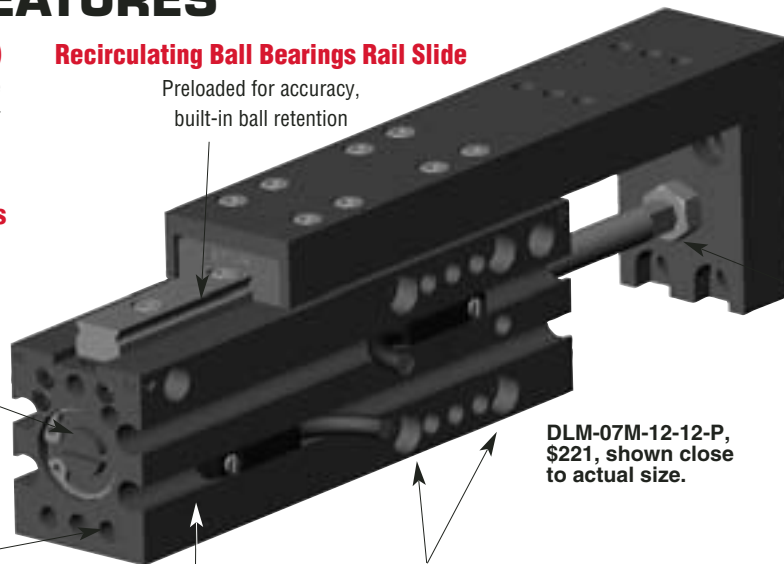
Slip fit dowel holes in body and tool plate

Magneto Resistive Sensing

Mounting slots and magnet are standard for up to eight sensors (sensors sold separately)

Recirculating Ball Bearings Rail Slide

Preloaded for accuracy, built-in ball retention



DLM-07M-12-12-P, \$221, shown close to actual size.

Thru-Body Mounting

C'bored holes for socket head cap screw on both sides

DIRECTCONNECT Mounting Patterns

Mounting on all six sides (standard)

Bearing Seals

Bearing blocks are equipped with low friction seals

Precision Tool Plate Position Adjustment

5 mm adjustment

Manifold Air Ports

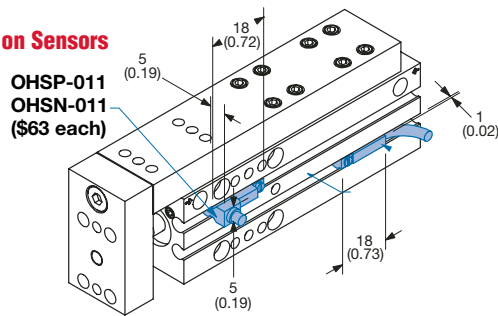
Bottom air ports are C'bored for O-ring manifold seals

Precision Stops (-P Option)

Delrin® internal stops are available for increased repeatability



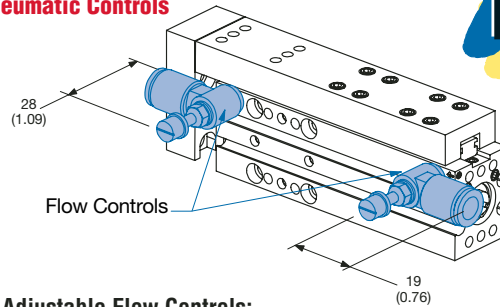
Position Sensors



OHSP-011
OHSN-011
(\$63 each)

Dimensions:
mm (in)

Pneumatic Controls



Flow Controls

- Position Sensors Available—PNP and NPN Magneto Resistive Style, 2 per Slide Recommended
- Sensors are Slot Mounted, No Mounting Kits Required
- Simple Adjustment with Slotted Screw Driver
- Built-In LED for Ease of Positioning and Troubleshooting
- Low Profile Sensor Version or 90° Wire Exit Sensor Version
- Sensor Extension Cables Available—5 m Long, Quick-Disconnect Style (Model No. CABL-013, \$26)

- Adjustable Flow Controls:
 - Thumb Screw Adjust with Locking Nut for Adjusting Actuation Time
 - Pneumatic Tubing Available
- Manifold O-Ring Seals (Model No. SLKT-239) and Seal Repair Kits (Model No. SLKT-236) Available
- Additional Pneumatic Controls and Accessories Available, Visit omegamation.com or Consult Sales

To Order (Specify Model Number)

AVAILABLE FOR FAST DELIVERY!

MODEL NO.	PRICE	LENGTH RETRACTED mm (in)	LENGTH EXTENDED mm (in)	DEPTH mm (in)	HEIGHT mm (in)	MAXIMUM STROKE mm (in)	WEIGHT Kg (lbs)
DLM-07M-12-12-P	\$221	78 (3.08)	90 (3.58)	20 (0.787)	35.5 (1.398)	12 (0.50)	0.13 (0.28)
DLM-07M-25-15-P	231	102 (4.02)	117 (4.60)	20 (0.787)	35.5 (1.398)	15 (0.59)	0.16 (0.35)
DLM-07M-25-25-P	231	102 (4.02)	127 (5.02)	20 (0.787)	35.5 (1.398)	25 (1.00)	0.16 (0.35)
DLM-07M-38-38-P	241	115 (4.53)	153 (6.03)	20 (0.787)	35.5 (1.398)	38 (1.50)	0.20 (0.43)
DLM-07M-50-50-P	261	127 (5.00)	177 (7.0)	20 (0.787)	35.5 (1.398)	50 (1.96)	0.32 (0.50)
DLM-09M-25-25-P	283	113 (4.46)	138 (5.56)	31 (1.22)	62 (2.44)	25 (1.00)	0.49 (1.08)
DLM-09M-50-50-P	303	160 (6.28)	210 (8.28)	31 (1.22)	62 (2.44)	50 (2.00)	0.64 (1.11)
DLM-09M-75-75-P	324	185 (7.26)	260 (10.26)	31 (1.22)	62 (2.44)	75 (3.00)	0.81 (1.78)
DLM-09M-100-100-P	344	209 (8.24)	309 (12.24)	31 (1.22)	62 (2.44)	100 (3.93)	0.97 (2.13)
DLM-12M-25-25-P	305	126 (4.97)	151 (5.97)	31 (1.22)	65 (2.51)	25 (1.00)	0.54 (1.18)
DLM-12M-50-50-P	336	166 (6.55)	216 (8.55)	31 (1.22)	65 (2.51)	50 (2.00)	0.65 (1.43)
DLM-12M-75-75-P	356	194 (7.61)	269 (10.61)	31 (1.22)	65 (2.51)	75 (3.00)	0.82 (1.80)
DLM-12M-100-100-P	377	220 (8.60)	320 (12.60)	31 (1.22)	65 (2.51)	100 (4.00)	1.02 (2.25)

Ordering Example: DLM-07M-12-12-P mini pneumatic powered precision linear slide with a maximum stroke of 12 mm (0.50") \$221.

Recommend accessories include 2 sensors and 2 pneumatic flow controls for each slide, along with a 4 way 2 position valve.

DLM-07M models; stroke reduction (return) 5 mm (0.19"), thrust force 66.7 N (15 lbs), max payload 0.23 Kg (0.5 lb) cylinder bore is 11 mm (0.437") actuation per 25 mm is 0.07 seconds. **DLM-09M** models - stroke reduction (return) 5 mm (0.19"), thrust force 138 N (31 lbs), max payload 0.45 Kg (1.0 lb) cylinder bore is 16 mm (0.630") actuation per 25 mm is 0.10 seconds **DLM-12M** models - stroke reduction (return) 5 mm (0.19"), thrust force 230 N (51 lbs), max payload 0.90 kg (2.0 lb) cylinder bore is 22 mm (0.813") actuation per 25 mm is 0.14 seconds.

Detailed specifications and CAD drawings available at omegamation.com

Accessories

MODEL NO.	PRICE	DESCRIPTION
SENSOR ACCESSORIES		
OHSP-011	\$63	PNP magneto resistive sensor 90° barrell with quick disconnect fitting
OHSN-011	63	NPN magneto resistive sensor 90° barrell with quick disconnect fitting
OHSP-017	63	PNP magneto resistive sensor short barrell with quick disconnect fitting
OHSN-017	63	NPN magneto resistive sensor short barrell with quick disconnect fitting
CABL-010	23	2 M sensor extension cable with quick disconnect fitting
CABL-013	26	5 M sensor extension cable with quick disconnect fitting
PNEUMATIC ACCESSORIES		
Pneumatic Tubing	Consult Sales	Polyurethane tubing in multiple diameters and colors available, see omegamation.com
Pneumatic Fittings	Consult Sales	Poly-Tube fittings in male or female NPT in multiple configurations, see omegamation.com
Pneumatic Flow Controls	Consult Sales	Adjustable flow control fittings and directional control valves, see omegamation.com
MECHANICAL ACCESSORIES		
DMM Series	Consult Sales	Aluminum extruded mounting stanchions for slides and thrusters, see omegamation.com
Mounting Hardware	Consult Sales	Gussets, clamps, end caps, covers and other hardware, see omegamation.com



UNITED STATES

www.omega.com
1-800-TC-OMEGA
Stamford, CT.

CANADA

www.omega.ca
Laval(Quebec)
1-800-TC-OMEGA

GERMANY

www.omega.de
Deckenpfronn, Germany
0800-8266342

UNITED KINGDOM

www.omega.co.uk
Manchester, England
0800-488-488

FRANCE

www.omega.fr
Guyancourt, France
088-466-342

CZECH REPUBLIC

www.omegaeng.cz
Karviná, Czech Republic
596-311-899

BENELUX

www.omega.nl
Amstelveen, NL
0800-099-33-44



More than 100,000 Products Available!

• Temperature

Calibrators, Connectors, General Test and Measurement Instruments, Glass Bulb Thermometers, Handheld Instruments for Temperature Measurement, Ice Point References, Indicating Labels, Crayons, Cements and Lacquers, Infrared Temperature Measurement Instruments, Recorders Relative Humidity Measurement Instruments, RTD Probes, Elements and Assemblies, Temperature & Process Meters, Timers and Counters, Temperature and Process Controllers and Power Switching Devices, Thermistor Elements, Probes and Assemblies, Thermocouples Thermowells and Head and Well Assemblies, Transmitters, Wire

• Flow and Level

Air Velocity Indicators, Doppler Flowmeters, Level Measurement, Magnetic Flowmeters, Mass Flowmeters, Pitot Tubes, Pumps, Rotameters, Turbine and Paddle Wheel Flowmeters, Ultrasonic Flowmeters, Valves, Variable Area Flowmeters, Vortex Shedding Flowmeters

• pH and Conductivity

Conductivity Instrumentation, Dissolved Oxygen Instrumentation, Environmental Instrumentation, pH Electrodes and Instruments, Water and Soil Analysis Instrumentation

• Data Acquisition

Auto-Dialers and Alarm Monitoring Systems, Communication Products and Converters, Data Acquisition and Analysis Software, Data Loggers Plug-in Cards, Signal Conditioners, USB, RS232, RS485 and Parallel Port Data Acquisition Systems, Wireless Transmitters and Receivers

• Pressure, Strain and Force

Displacement Transducers, Dynamic Measurement Force Sensors, Instrumentation for Pressure and Strain Measurements, Load Cells, Pressure Gauges, Pressure Reference Section, Pressure Switches, Pressure Transducers, Proximity Transducers, Regulators, Strain Gages, Torque Transducers, Valves

• Heaters

Band Heaters, Cartridge Heaters, Circulation Heaters, Comfort Heaters, Controllers, Meters and Switching Devices, Flexible Heaters, General Test and Measurement Instruments, Heater Hook-up Wire, Heating Cable Systems, Immersion Heaters, Process Air and Duct, Heaters, Radiant Heaters, Strip Heaters, Tubular Heaters