

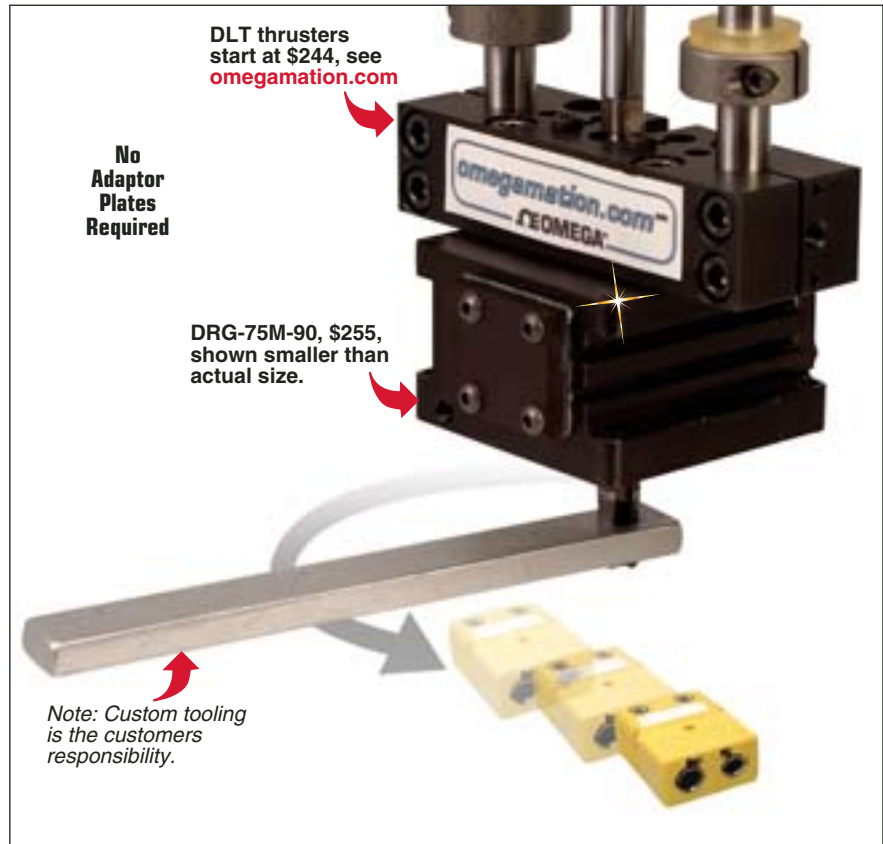
SHAFT MOUNT ROTARY ACTUATOR DIRECTCONNECT™



DRG Series
Starts at
\$255



- Designed for Use in Applications Where Low Precision Positioning and Backlash Are Acceptable
- Excellent Choice for Diverter Gates, Escapements and Ejection Stations
- Multiple Body Mount Locations with Top and Bottom Mounting Using DIRECTCONNECT™ Technology
- Rotaries Can Be Mounted and Operated in Any Orientation
- Available in 90 or 180° Units
- Life Cycle of 5 Million Cycles Under Normal Use, Up to 10 Million Cycles with Proper Maintenance
- Requires Air Filtration of 40 Microns or Better
- Gripper Tooling is Customers Responsibility



PRODUCT FEATURES

Black Anodized

The body and all Aluminum parts have Black anodize, steel parts are Black oxide

Sensor Mounting Slots

Standard mounting slots for Magneto Resistive Sensors. Magnet mounted in piston standard (sensors sold separately)

One Piece Body

One piece lightweight aircraft quality aluminum body

Dowel Holes

Slip fit dowel pin holes in bottom of body

DIRECTCONNECT™ Mounting Patterns

Tapped and dowel mounting on bottom surface

Keyways

Imperial and metric keyways for coupling payload

Case Hardened

Rack and pinion are case hardened for wear and long life

Extremely Rugged Design

Pinion is supported top and bottom with sealed bearings

End Stop Cushioning

Urethane bumpers on piston to cushion and stop load standard

Piston

Made of Delrin® for extended life

Mounting

Tapped and thru hole mounting on top and bottom flanges for base or bulkhead mount



PRODUCT SPECIFICATIONS

SPECIFICATIONS DRG-075M

Maximum Payload: 0.23 kg (0.5 lb)
Maximum Payload Inertia: 9.0×10^{-5} Nm-sec² (0.0008 in-lb-sec²)
Maximum Torque @ 7 bar (100 psi): 9.0×10^{-5} Nm-sec² (8.3 lb-in 0.9 Nm)
Maximum Rotation: 180°
Pitch Diameter of Pinion: 9.5 mm (0.375")
Weight without Rotational Adjuster: 0.24 kg (0.52 lb)
Weight without Rotational Adjuster (-R Option): 0.33 kg (0.72 lb)
Pressure Range: 3 to 7 bar (40 to 100 psi)
Bore: 19.1 mm (0.750")
Displacement (180°): 5.1 cm³ (0.31 in³)
Actuation Time [180° @ 7 bar (100 psi)]: 0.38 sec
Actuation Time [90° @ 7 bar (100 psi)]: 0.29 sec
Temperature Range, Standard Seals: -35 to 82°C (-30 to 180°F)



DRG-075M,
shown smaller
than actual size.

SIZE "-075M"

Style: DRG-075M
Max Payload: 0.2 kg (0.5 lb)
Torque: 0.9 Nm (8 in-lb)
Weight: 0.24 kg (0.54 lb)

SPECIFICATIONS DRG-094M

Maximum Payload: 0.68 kg (1.5 lb)
Maximum Payload Inertia: 6.3×10^{-4} Nm-sec² (0.0056 in-lb-sec²)
Maximum Torque @ 7 bar (100 psi): 1.9 Nm (17.3 lb-in)
Maximum Rotation: 180°
Pitch Diameter of Pinion: 12.7 mm (0.500")
Weight without Rotational Adjuster: 0.45 kg (1.0 lb)
Weight without Rotational Adjuster (-R Option): 0.54 kg (1.2 lb)
Pressure Range: 3 to 7 bar (40 to 100 psi)
Bore: 23.8 mm (0.938")
Displacement (180°): 9.0 cm³ (0.55 in³)
Actuation Time [180° @ 7 bar (100 psi)]: 0.38 sec
Actuation Time [90° @ 7 bar (100 psi)]: 0.29 sec
Temperature Range, Standard Seals: -35 to 82°C (-30 to 180°F)



DRG-094M,
shown smaller
than actual size.

SIZE "-094M"

Style: DRG-094M
Max Payload: 0.7 kg (1.5 lb)
Torque: 2.0 Nm (17 in-lb)
Weight: 0.45 kg (1.0 lb)

SPECIFICATIONS DRG-106M

Maximum Payload: 1.8 kg (4 lb)
Maximum Payload Inertia: 2.3×10^{-3} Nm-sec² (0.0207 in-lb-sec²)
Maximum Torque @ 7 bar (100 psi): 3.8 Nm (33.2 lb-in)
Maximum Rotation: 180°
Pitch Diameter of Pinion: 19.1 mm (0.750")
Weight without Rotational Adjuster: 1.1 kg (2.5 lb)
Weight without Rotational Adjuster (-R Option): 1.2 kg (2.7 lb)
Pressure Range: 3 to 7 bar (40 to 100 psi)
Bore: 27.0 mm (1.063")
Displacement (180°): 19.0 cm³ (1.16 in³)
Actuation Time [180° @ 7 bar (100 psi)]: 0.60 sec
Actuation Time [90° @ 7 bar (100 psi)]: 0.45 sec
Temperature Range, Standard Seals: -35 to 82°C (-30 to 180°F)

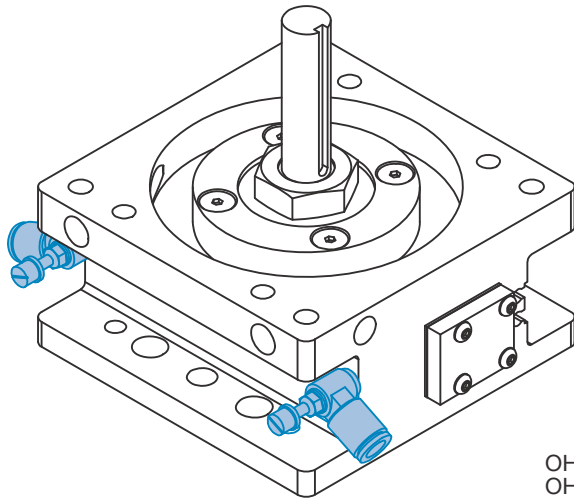


DRG-106M,
shown smaller
than actual size.

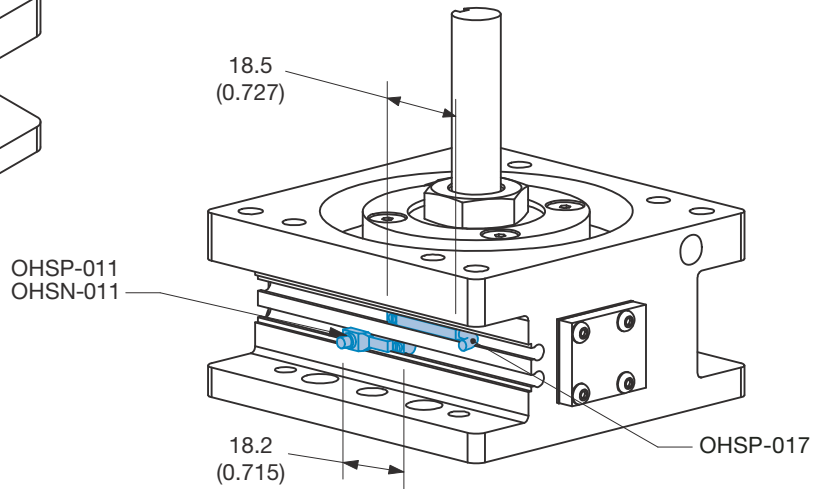
SIZE "-106M"

Style: DRG-106M
Max Payload: 1.8 kg (4 lb)
Torque: 3.7 Nm (33 in-lb)
Weight: 1.1 kg (2.5 lb)

ACCESSORY MOUNTING EXAMPLE



Dimensions: mm (in)



Flow Controls

- Flow Controls for Adjusting Rotational Speed

Sensor and Pneumatic Accessories

- Magneto Resistive Sensors with Quick Disconnect (NPN or PNP Versions)
- Magneto Resistive Sensors with 90° Barrel (NPN or PNP Versions)
- Quick Disconnect Cables 2 or 5 m (6 or 16') Length
- Flow Control Valve for Speed Adjustment Sensors are Slot Mounted, No Mounting Kits Required
- Simple Adjustments with Slotted Screw Driver
- Built-In LED for Easy Positioning and Troubleshooting

Sensors

- PNP and NPN Magneto Resistive Available
- Sensors Are Slot Mounted, No Mounting Kits Required
- Simple Adjustment with Slotted Screw Driver
- Built-In LED for Ease of Positioning and Troubleshooting
- Low Profile Underflush Sensor Version or 90° Wire Exit Sensor Version
- Sensor Magnet Standard

To Order *(Specify Model Number)*

MOST POPULAR MODELS HIGHLIGHTED!

MODEL NO.	PRICE	DESCRIPTION*	OVER TRAVEL (EACH END)	MAX PAYLOAD
DRG-75M-90	\$255	90° rotation	1 to 3°	0.23 kg (0.5 lbs)
DRG-75M-180	255	180° rotation	1 to 3°	0.23 kg (0.5 lbs)
DRG-094M-90	296	90° rotation	1 to 3°	0.68 kg (1.5 lbs)
DRG-094M-180	296	180° rotation	1 to 3°	0.68 kg (1.5 lbs)
DRG-106M-90	347	90° rotation	1 to 3°	1.8 kg (4 lbs)
DRG-106M-180	347	180° rotation	1 to 3°	1.8 kg (4 lbs)

* Sensors and cables sold separately.

ACCESSORIES

MODEL NO.	PRICE	QUANTITY	DESCRIPTION
OHSP-011	\$63	1 or 2	PNP magneto resistive sensor (90°) with quick disconnect
OHSN-011	63	1 or 2	NPN magneto resistive sensor (90°) with quick disconnect
OHSP-017	63	1 or 2	PNP magneto resistive sensor with quick disconnect
OHSN-017	63	1 or 2	NPN magneto resistive sensor with quick disconnect
CABL-010	23	1 or 2	Quick disconnect cable [2 m (6') long]
CABL-013	26	1 or 2	Quick disconnect cable [5 m (16') long]

Ordering Example: DRG-094M-180, DRG rotary actuator, size 23.8 mm (0.938"), 180° of rotation, \$296, 2 OHSP-017, PNP sensors with quick disconnect, \$126 and 2 CABL-013, two quick disconnect cables, 5 m (16') long, \$52, \$296 + 63 x 2 + 26 x 2 = \$474.

omega.co.uk[®]

Your One-Stop Source for Process Measurement and Control!

Freephone 0800 488 488 | International +44(0) 161 777 6622 | Fax +44(0) 161 777 6622 | Sales@omega.co.uk

www.omega.co.uk



UNITED STATES

www.omega.com

1-800-TC-OMEGA
Stamford, CT.

UNITED KINGDOM

www.omega.co.uk

Manchester, England
0800-488-488
+44-(0)161-777-6611

CANADA

www.omega.ca

Laval(Quebec)
1-800-TC-OMEGA

FRANCE

www.omega.fr

0800-466-342

GERMANY

www.omega.de

Deckenfronn, Germany
0800-8266342

BENELUX

www.omega.nl

0800-099-33-44



More than 100,000 Products Available!

• Temperature

Calibrators, Connectors, General Test and Measurement Instruments, Handheld Instruments for Temperature Measurement, Ice Point References, Indicating Labels, Crayons, Cements and Lacquers, Infrared Temperature Measurement Instruments, Recorders, Relative Humidity Measurement Instruments, PT100 Probes, PT100 Elements, Temperature & Process Meters, Timers and Counters, Temperature and Process Controllers and Power Switching Devices, Thermistor Elements, Probes and Assemblies, Thermocouples, Thermowells and Head and Well Assemblies, Transmitters, Thermocouple Wire, RTD Probes

• Flow and Level

Air Velocity Indicators, Doppler Flowmeters, Level Measurement, Magnetic Flowmeters, Mass Flowmeters, Pitot Tubes, Pumps, Rotameters, Turbine and Paddle Wheel Flowmeters, Ultrasonic Flowmeters, Valves, Variable Area Flowmeters, Vortex Shedding Flowmeters

• pH and Conductivity

Conductivity Instrumentation, Dissolved Oxygen Instrumentation, Environmental Instrumentation, pH Electrodes and Instruments, Water and Soil Analysis Instrumentation

• Data Acquisition

Communication Products and Converters, Data Acquisition and Analysis Software, Data Loggers Plug-in Cards, Signal Conditioners, USB, RS232, RS485, Ethernet and Parallel Port Data Acquisition Systems, Wireless Transmitters and Receivers

• Pressure, Strain and Force

Displacement Transducers, Dynamic Measurement Force Sensors, Instrumentation for Pressure and Strain Measurements, Load Cells, Pressure Gauges, Pressure Reference Section, Pressure Switches, Pressure Transducers, Proximity Transducers, Regulators, Pressure Transmitters, Strain Gauges, Torque Transducers, Valves

• Heaters

Band Heaters, Cartridge Heaters, Circulation Heaters, Comfort Heaters, Controllers, Meters and Switching Devices, Flexible Heaters, General Test and Measurement Instruments, Heater Hook-up Wire, Heating Cable Systems, Immersion Heaters, Process Air and Duct, Heaters, Radiant Heaters, Strip Heaters, Tubular Heaters