

NON-METALLIC FIBERGLASS JUNCTION BOXES NEMA 4X

OM-AM J Box Series



OM-AM743SF

OM-AM943SF

- Suited for Higher Temperatures or Corrosive Environments
- Protect Controls and Components Indoors or Outdoors
- UV Stabilized for Outdoor Use
- Optional Sub-Panels for Fiberglass Boxes

The OM-AM J Box Series non-metallic junction boxes are designed to insulate and protect electrical controls and components in both indoor and outdoor applications and are especially well suited for corrosive environments.

SPECIFICATIONS

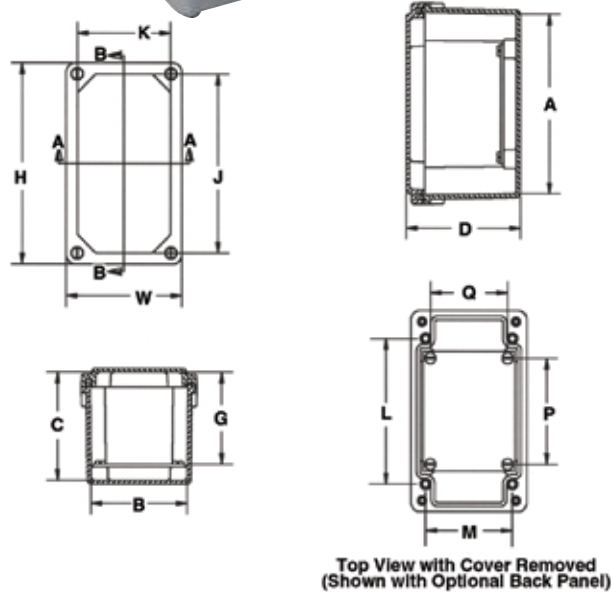
Standards:

UL Types: 1, 2, 3, 4, 4X, 12 and 13

CSA Types: 1, 2, 3, 3R, 4, 4X, 12 and 13

NEMA Types: 1, 2, 3, 3R, 4, 4X, 12 and 13

IEC: Type IP66



DIMENSIONS

MODEL NO.	OVERALL mm (inch)			INSIDE mm (inch)									
	H	W	D	A	B	C	G	J	K	L	M	P	Q
OM-AM743 OM-AM743SF*	171 (6.74)	100 (3.93)	99 (3.88)	153 (6.01)	83 (3.26)	92 (3.63)	78 (3.08)	156 (6.13)	84 (3.31)	124 (4.88)	75 (2.94)	90 (3.56)	67 (2.63)
OM-AM943 OM-AM943SF*	228 (8.99)	100 (3.93)	99 (3.88)	210 (8.26)	83 (3.26)	92 (3.63)	78 (3.08)	211 (8.31)	84 (3.31)	181 (7.13)	75 (2.94)	148 (5.81)	67 (2.63)

To Order Visit omega.com/om-amj for Pricing and Details

JUNCTION BOXES				SUB-PANELS
MODEL NO.	HEIGHT (inch)	WIDTH (inch)	DEPTH (inch)	ALUMINUM
OM-AM743	6.75	4	3.88	OM-PA74
OM-AM743SF	6.75	4	3.88	OM-PA74
OM-AM943	9	4	3.88	OM-PA94
OM-AM943SF	9	4	3.88	OM-PA94

* "SF" models do not include SS mounting feet.

Ordering Examples: OM-AM743, fiberglass junction box with SS mounting feet, 7 H x 4 W x 3" D and OM-PA74, sub-panel for 6.75 x 4" junction box. OM-AM943SF, fiberglass junction box without mounting feet, 9 H x 4 W x 3.88" D.

omega.co.uk[®]

Your One-Stop Source for Process Measurement and Control!

Freephone 0800 488 488 | International +44(0) 161 777 6622 | Fax +44(0) 161 777 6622 | Sales@omega.co.uk

www.omega.co.uk



UNITED STATES

www.omega.com

1-800-TC-OMEGA
Stamford, CT.

UNITED KINGDOM

www.omega.co.uk

Manchester, England
0800-488-488
+44-(0)161-777-6611

CANADA

www.omega.ca

Laval(Quebec)
1-800-TC-OMEGA

FRANCE

www.omega.fr

0800-466-342

GERMANY

www.omega.de

Deckenfronn, Germany
0800-8266342

BENELUX

www.omega.nl

0800-099-33-44



More than 100,000 Products Available!

• Temperature

Calibrators, Connectors, General Test and Measurement Instruments, Handheld Instruments for Temperature Measurement, Ice Point References, Indicating Labels, Crayons, Cements and Lacquers, Infrared Temperature Measurement Instruments, Recorders, Relative Humidity Measurement Instruments, PT100 Probes, PT100 Elements, Temperature & Process Meters, Timers and Counters, Temperature and Process Controllers and Power Switching Devices, Thermistor Elements, Probes and Assemblies, Thermocouples, Thermowells and Head and Well Assemblies, Transmitters, Thermocouple Wire, RTD Probes

• Flow and Level

Air Velocity Indicators, Doppler Flowmeters, Level Measurement, Magnetic Flowmeters, Mass Flowmeters, Pitot Tubes, Pumps, Rotameters, Turbine and Paddle Wheel Flowmeters, Ultrasonic Flowmeters, Valves, Variable Area Flowmeters, Vortex Shedding Flowmeters

• pH and Conductivity

Conductivity Instrumentation, Dissolved Oxygen Instrumentation, Environmental Instrumentation, pH Electrodes and Instruments, Water and Soil Analysis Instrumentation

• Data Acquisition

Communication Products and Converters, Data Acquisition and Analysis Software, Data Loggers Plug-in Cards, Signal Conditioners, USB, RS232, RS485, Ethernet and Parallel Port Data Acquisition Systems, Wireless Transmitters and Receivers

• Pressure, Strain and Force

Displacement Transducers, Dynamic Measurement Force Sensors, Instrumentation for Pressure and Strain Measurements, Load Cells, Pressure Gauges, Pressure Reference Section, Pressure Switches, Pressure Transducers, Proximity Transducers, Regulators, Pressure Transmitters, Strain Gauges, Torque Transducers, Valves

• Heaters

Band Heaters, Cartridge Heaters, Circulation Heaters, Comfort Heaters, Controllers, Meters and Switching Devices, Flexible Heaters, General Test and Measurement Instruments, Heater Hook-up Wire, Heating Cable Systems, Immersion Heaters, Process Air and Duct, Heaters, Radiant Heaters, Strip Heaters, Tubular Heaters