

ECONOMICAL HIGH ACCURACY ROTAMETERS

**CAPACITIES: 0.078 to 6.28 GPM for Water,
0.317 to 25.76 SCFM for Air**

**For correlation
with other fluids,
See page B-7.**

FL-1500A Series
Starts at

\$560



- ✓ ±2% Full Scale Accuracy
- ✓ ±½% Full Scale Repeatability
- ✓ Glass and Stainless Steel Construction for Broad Media Compatibility
- ✓ Correlation Equations for Use with Many Fluids
- ✓ Side Plate Construction
- ✓ 250 mm (9.85") Scale
- ✓ 10 to 100% of Flow Scale
- ✓ Shielded for Use in Pressurized Systems
- ✓ Vertical Mount Only

OMEGA® FL-1500 flowmeters combine 2% accuracy and side plate construction at an economical price. These flowmeters feature glass and 316 stainless steel construction, with aluminum side plates and acrylic plastic shields. The float design provides high immunity to viscosity variation, and the NPT thread connections provide easy installation into industrial and laboratory systems.

SPECIFICATIONS

Scale: Fused on metering tube, 10 to 100% of flow scale

Metering Tube: Borosilicate glass

Float and Float Stops:

316 Stainless Steel

End Fittings:

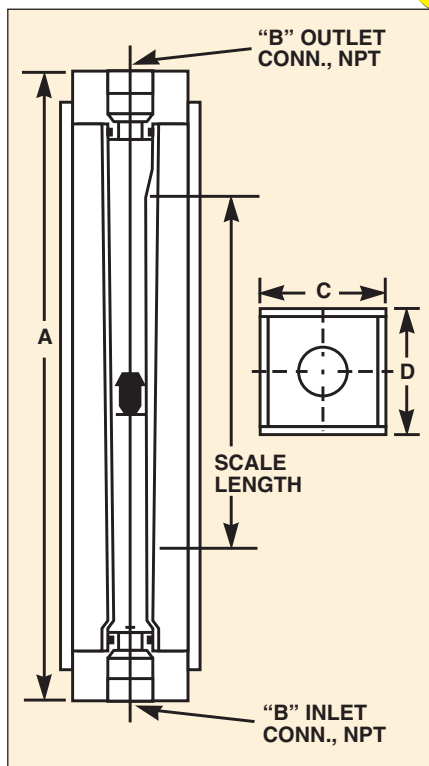
Standard: 316 Stainless Steel

Optional: Brass

O-Rings: FKM-A

Structural:

Side Plate: Aluminum shields; acrylic plastic shields, front and back



Maximum Pressure:

FL-1501 and FL-1502: 20.68 bar (300 psig)

FL-1503: 12.06 bar (175 psig)

FL-1504: 6.9 bar (100 psig)

Max Temperature: 121°C (250°F)

Accuracy: ±2% full scale

Repeatability: ±0.5% full scale

Dimensions: mm (in)

Model No.	A	B	C	D
FL-1501A, 1502A	430 (16.94)	12.7 (0.5)	60 (2.38)	64 (2.5)
FL-1503A	430 (16.94)	19 (0.75)	60 (2.38)	64 (2.5)
FL-1504A	432 (17)	25 (1)	60 (2.38)	64 (2.5)

MOST POPULAR MODELS HIGHLIGHTED!

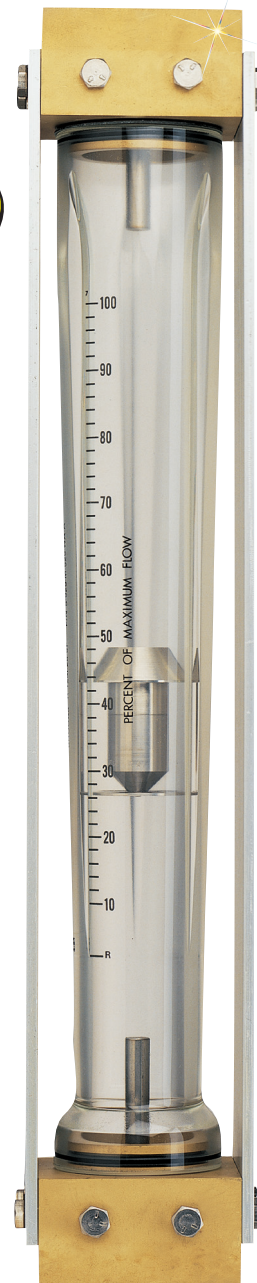
To Order (Specify Model Number)

Model No.	Price	Range Air (SCFM)	Range Water (GPM)	Pressure Drop (H ₂ O)
FL-1501A	\$560	0.317 to 3.17	0.078 to 0.78	4"
FL-1502A	560	0.588 to 5.88	0.145 to 1.45	11"
FL-1503A	720	1.045 to 10.45	0.253 to 2.53	7"
FL-1504A	770	2.576 to 25.76	0.628 to 6.28	13"
ME-0906	70	Reference Book: Principles of Enhanced Heat Transfer		

For units with brass end fittings, add suffix "-B" to model number and subtract \$146 from price.

Ordering Examples: FL-1503A-B, rotameter with brass end fitting, 1.045 to 10.45 SCFM, 0.253 to 2.53 GPM, \$720 - 146 = \$574.

FL-1501A, 316 SS end fitting, 0.317 to 3.17 SCFM, 0.078 to 0.78 GPM, \$560.



FL-1501A-B, \$414, shown with optional brass end fittings (316 SS standard), smaller than actual size.

omega.co.uk[®]

Your One-Stop Source for Process Measurement and Control!

Freephone 0800 488 488 | International +44(0) 161 777 6622 | Fax +44(0) 161 777 6622 | Sales@omega.co.uk

www.omega.co.uk



UNITED STATES

www.omega.com

1-800-TC-OMEGA
Stamford, CT.

CANADA

www.omega.ca

Laval(Quebec)
1-800-TC-OMEGA

GERMANY

www.omega.de

Deckenfronn, Germany
0800-8266342

UNITED KINGDOM

www.omega.co.uk

Manchester, England
0800-488-488
+44-(0)161-777-6611

FRANCE

www.omega.fr

0800-466-342

BENELUX

www.omega.nl

0800-099-33-44



More than 100,000 Products Available!

• Temperature

Calibrators, Connectors, General Test and Measurement Instruments, Handheld Instruments for Temperature Measurement, Ice Point References, Indicating Labels, Crayons, Cements and Lacquers, Infrared Temperature Measurement Instruments, Recorders, Relative Humidity Measurement Instruments, PT100 Probes, PT100 Elements, Temperature & Process Meters, Timers and Counters, Temperature and Process Controllers and Power Switching Devices, Thermistor Elements, Probes and Assemblies, Thermocouples, Thermowells and Head and Well Assemblies, Transmitters, Thermocouple Wire, RTD Probes

• Flow and Level

Air Velocity Indicators, Doppler Flowmeters, Level Measurement, Magnetic Flowmeters, Mass Flowmeters, Pitot Tubes, Pumps, Rotameters, Turbine and Paddle Wheel Flowmeters, Ultrasonic Flowmeters, Valves, Variable Area Flowmeters, Vortex Shedding Flowmeters

• pH and Conductivity

Conductivity Instrumentation, Dissolved Oxygen Instrumentation, Environmental Instrumentation, pH Electrodes and Instruments, Water and Soil Analysis Instrumentation

• Data Acquisition

Communication Products and Converters, Data Acquisition and Analysis Software, Data Loggers Plug-in Cards, Signal Conditioners, USB, RS232, RS485, Ethernet and Parallel Port Data Acquisition Systems, Wireless Transmitters and Receivers

• Pressure, Strain and Force

Displacement Transducers, Dynamic Measurement Force Sensors, Instrumentation for Pressure and Strain Measurements, Load Cells, Pressure Gauges, Pressure Reference Section, Pressure Switches, Pressure Transducers, Proximity Transducers, Regulators, Pressure Transmitters, Strain Gauges, Torque Transducers, Valves

• Heaters

Band Heaters, Cartridge Heaters, Circulation Heaters, Comfort Heaters, Controllers, Meters and Switching Devices, Flexible Heaters, General Test and Measurement Instruments, Heater Hook-up Wire, Heating Cable Systems, Immersion Heaters, Process Air and Duct, Heaters, Radiant Heaters, Strip Heaters, Tubular Heaters