

ECONOMICAL PURGE ROTAMETERS

For Low Flows

FL-1900 Series

\$185

All Models



- ✓ ±10% Full Scale Accuracy
- ✓ ±0.5% Full Scale Repeatability
- ✓ 316 SS End Fittings
- ✓ Integral Flow Control Valve
- ✓ 316 SS, PTFE Glass, and FKM Wetted Parts
- ✓ Direct Reading Scale for Air or Water
- ✓ Compact 65 mm (2.6") Scale
- ✓ Non-Rotating Seal Spindle

OMEGA® FL-1900 Rotameters provide an economical means of flow rate indication. Designed for applications where accuracy requirements are not severe, these instruments are ideal for such services as purging, seal oil systems, bearing lubrication, and cooling water flow indication. These flowmeters feature 316 SS end fittings with PTFE glass and FKM wetted parts at an economical cost, providing an alternative to comparable higher-priced units.

SPECIFICATIONS

Accuracy: ±10% full scale

Repeatability: ±0.5% of full scale

Max. Operating Pressure: 13.8 bar (200 psig)

Operating Temperature Range: 0 to 121°C (32 to 250°F)

Metering Tube: Borosilicate glass

End Fittings: 316 SS

Window Shield: High-impact plastic

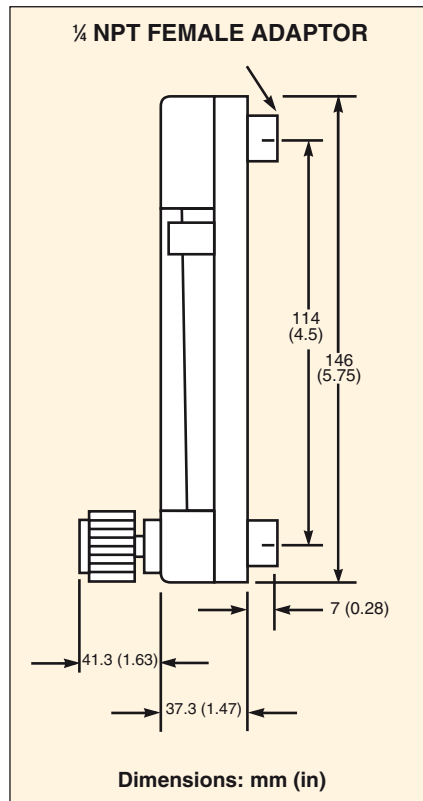
Float Stops: PTFE

Tube Packing: FKM

O-Rings: FKM

Scale: 65 mm (2.6"), direct reading for air or water

Connection: ¼ NPT



FL-1904, \$185, shown smaller than actual size.

MOST POPULAR MODELS HIGHLIGHTED!

To Order (Specify Model Number)

Air Model No.	Price	Range (SCFH)	Float Material	Water Model No.	Price	Range (GPH)	Float Material
FL-1901	\$185	0.2 to 1.2	Glass	FL-1951	\$185	0.01 to 0.14	Glass
FL-1902	185	0.2 to 2.0	Glass	FL-1952	185	0.05 to 0.5	316 SS
FL-1903	185	0.5 to 5.0	316 SS	FL-1953	185	0.1 to 1.0	316 SS
FL-1904	185	0.5 to 6.0	Glass	FL-1954	185	0.05 to 0.7	Glass
FL-1905	185	1.0 to 10	316 SS	FL-1955	185	0.1 to 1.6	316 SS
FL-1906	185	1.2 to 12	Glass	FL-1956	185	0.2 to 2.0	Glass
FL-1907	185	2.0 to 18	316 SS	FL-1957	185	0.5 to 4.0	316 SS
FL-1908	185	5.0 to 45	Glass	FL-1958	185	1.0 to 9.0	Glass
FL-1909	185	10 to 80	316 SS	FL-1959	185	2.0 to 17	316 SS
FL-1910	185	5.0 to 55	Glass	FL-1960	185	-1.0 to 11	Glass
FL-1911	185	10 to 90	316 SS	FL-1961	185	2.0 to 20	316 SS
FL-1912	185	12 to 120	Carboloy	FL-1962	185	3.0 to 30	Carboloy

Comes complete with operator's manual.

For units without valves, add suffix "-NV" to model number and subtract \$19 from price.

Ordering Examples: FL-1902-NV, air purge rotameter with 0.2 to 2.0 CFH range, without valves, \$185 - 19 = \$166.

FL-1957, water rotameter with 0.5 to 4.0 GPH range, \$185.

omega.co.uk®

Your One-Stop Source for Process Measurement and Control!

Freephone 0800 488 488 | International +44(0) 161 777 6622 | Fax +44(0) 161 777 6622 | Sales@omega.co.uk

www.omega.co.uk



UNITED STATES

www.omega.com

1-800-TC-OMEGA

Stamford, CT.

CANADA

www.omega.ca

Laval(Quebec)

1-800-TC-OMEGA

GERMANY

www.omega.de

Deckenpfronn, Germany

0800-8266342

UNITED KINGDOM

www.omega.co.uk

Manchester, England

0800-488-488

FRANCE

www.omega.fr

088-466-342

CZECH REPUBLIC

www.omegaeng.cz

Karviná, Czech Republic

596-311-899

BENELUX

www.omega.nl

0800-099-33-44



More than 100,000 Products Available!

• Temperature

Calibrators, Connectors, General Test and Measurement Instruments, Handheld Instruments for Temperature Measurement, Ice Point References, Indicating Labels, Crayons, Cements and Lacquers, Infrared Temperature Measurement Instruments, Recorders, Relative Humidity Measurement Instruments, PT100 Probes, PT100 Elements, Temperature & Process Meters, Timers and Counters, Temperature and Process Controllers and Power Switching Devices, Thermistor Elements, Probes and Assemblies, Thermocouples, Thermowells and Head and Well Assemblies, Transmitters, Thermocouple Wire, RTD Probes

• Flow and Level

Air Velocity Indicators, Doppler Flowmeters, Level Measurement, Magnetic Flowmeters, Mass Flowmeters, Pitot Tubes, Pumps, Rotameters, Turbine and Paddle Wheel Flowmeters, Ultrasonic Flowmeters, Valves, Variable Area Flowmeters, Vortex Shedding Flowmeters

• pH and Conductivity

Conductivity Instrumentation, Dissolved Oxygen Instrumentation, Environmental Instrumentation, pH Electrodes and Instruments, Water and Soil Analysis Instrumentation

• Data Acquisition

Auto-Dialers and Alarm Monitoring Systems, Communication Products and Converters, Data Acquisition and Analysis Software, Data Loggers Plug-in Cards, Signal Conditioners, USB, RS232, RS485 and Parallel Port Data Acquisition Systems, Wireless Transmitters and Receivers

• Pressure, Strain and Force

Displacement Transducers, Dynamic Measurement Force Sensors, Instrumentation for Pressure and Strain Measurements, Load Cells, Pressure Gauges, Pressure Reference Section, Pressure Switches, Pressure Transducers, Proximity Transducers, Regulators, Pressure Transmitters, Strain Gauges, Torque Transducers, Valves

• Heaters

Band Heaters, Cartridge Heaters, Circulation Heaters, Comfort Heaters, Controllers, Meters and Switching Devices, Flexible Heaters, General Test and Measurement Instruments, Heater Hook-up Wire, Heating Cable Systems, Immersion Heaters, Process Air and Duct, Heaters, Radiant Heaters, Strip Heaters, Tubular Heaters