

PILOT-OPERATED SOLENOID VALVES FOR STEAM AND WATER

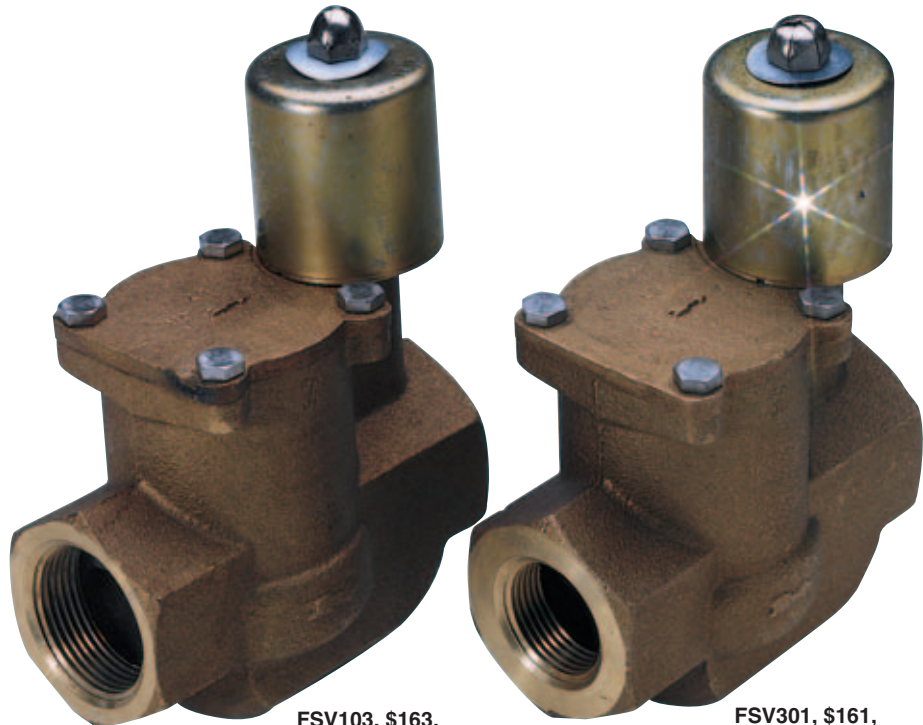
FSV100 and FSV300 Series Starts at

\$113



- ✓ Two-Way Normally Closed
- ✓ Installed in Horizontal Piping with Solenoid in Vertical Position

Two-way solenoid valves cover most industrial laboratory applications. A two-way valve controls the flow of fluid through a single passage. It has two ports, an inlet and an outlet. A normally closed valve does not pass fluid unless it is energized.



FSV103, \$163, shown actual size.

FSV301, \$161, shown actual size.

SPECIFICATIONS

FSV100 Series

Medium: Water (FSV100)

Minimum Pressure: 5 psi

Maximum Pressure: 150 psi

Temperature Range: 0 to 90°C (32 to 195°F)

Power: 23 W, 120 Vac coils

Wetted Parts: Bronze, PTFE

CV Values: See flow capacity charts

FSV300 SERIES

Medium: Steam

Maximum Temperature: 185°C (365°F)

Temperature Range: 0 to 185°C (32 to 365°F)

Minimum Pressure: 5 psi

Maximum Pressure: 150 psi

Power Required: 23 W, 120 Vac coils

Wetted Parts: Bronze, EPDM/AFLAS®



MOST POPULAR MODELS HIGHLIGHTED!

To Order (Specify Model Number)							
Model No.	Price	NPT	Orifice	Seal	Response Time (Sec)		Tolerance
					Open	Close	
FSV100 Series for Water							
FSV101	\$113	3/8	0.439"	Buna N/EPDM	0.85	0.015	±0.001
FSV102	118	1/2	0.439"	Buna N/EPDM	0.85	0.015	±0.001
FSV103	163	3/4	0.849"	Buna N/EPDM	0.6-4.5	0.1-0.25	±0.005
FSV104	301	1.0	1.250"	Buna N/EPDM	0.6-4.5	0.1-0.25	+0.002
FSV105	310	1.25	1.250"	Buna N/EPDM	0.8-5.8	0.2-0.5	±0.002
FSV106	372	1.50	1.500"	Buna N/EPDM	1.5-9	0.2-0.4	±0.002
FSV107	525	2.00	2.000"	Buna N/EPDM	1.5-9.5	0.25-0.45	±0.002
FSV300 Series for Steam Applications							
FSV301	\$161	3/8	0.439"	EPDM/AFLAS	0.85	0.015	±0.001
FSV302	167	1/2	0.439"	EPDM/AFLAS	0.85	0.015	±0.001
FSV303	200	3/4	0.849"	EPDM/AFLAS	0.6-4.5	0.1-0.25	+0.005
FSV304	341	1.00	1.250"	EPDM/AFLAS	0.6-4.5	0.1-0.25	+0.002
FSV305	343	1.25	1.250"	EPDM/AFLAS	0.8-5.8	0.2-0.5	±0.002
FSV306	446	1.50	1.500"	EPDM/AFLAS	1.5-9	0.2-0.4	±0.002
FSV307	567	2.00	2.000"	EPDM/AFLAS	1.5-9.5	0.25-0.45	±0.002

Comes complete with operator's manual.

Ordering Examples: FSV103, valve for water with 3/4 NPT fitting, 0.849" orifice, \$163. FSV301, valve for steam with 3/8 NPT fitting, 0.439" orifice, \$161.

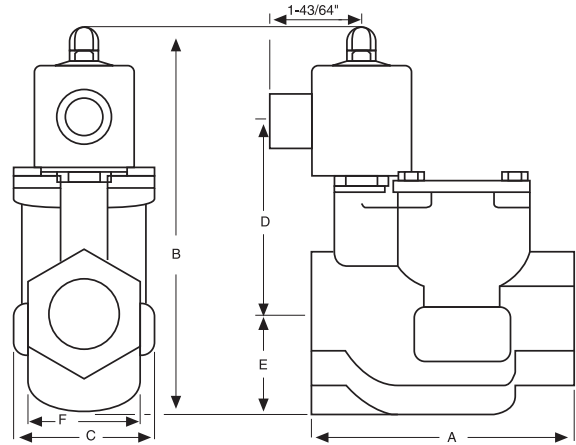
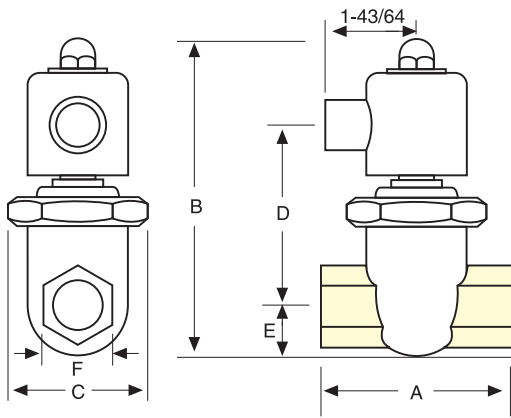
Accessory

Model No.	Price	Description
FW-331	\$155	Reference Book: Analytical Instrumentation

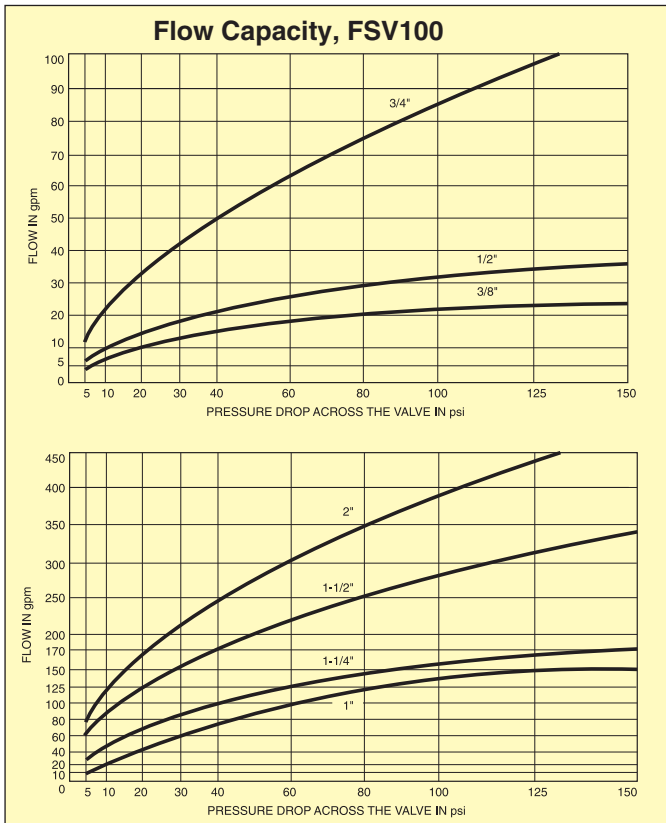
⅜, ½, and ¾"

Dimensions: mm (in)

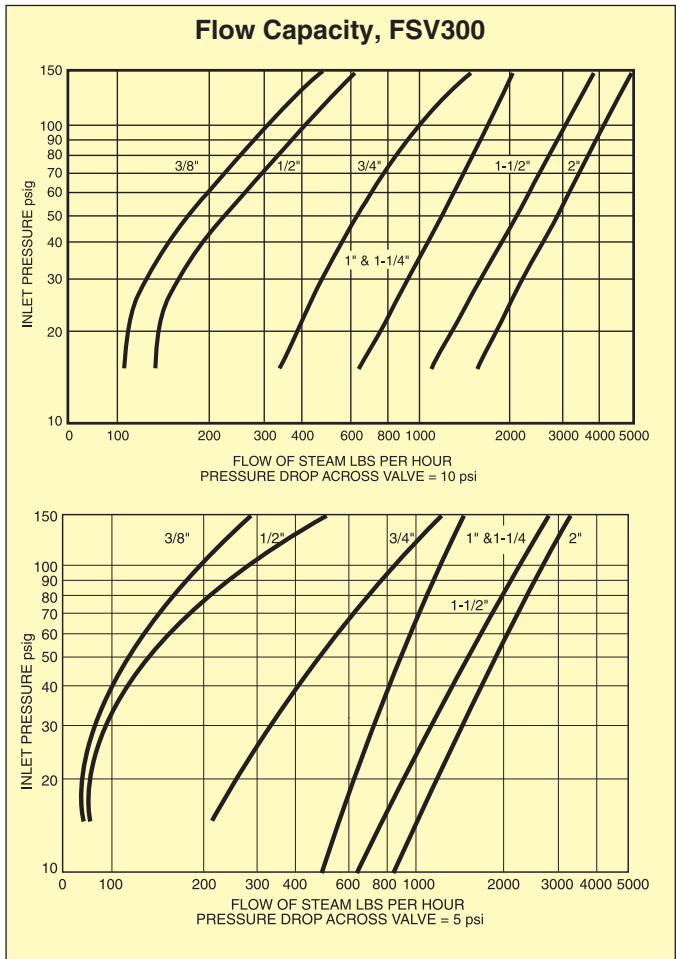
1, 1¼, 1½, and 2"



Pipe Size (Valve Size)						
Dimensions: mm (in)	9.5 (⅜)	12.7 (½)	19.1 (¾)	25.4 & 31.8 (1 & 1¼)	38.1 (1½)	50.8 (2)
A	64.30 (2 ¹⁷ / ₃₂)	67.47 (2 ²¹ / ₃₂)	95.25 (3 ³ / ₄)	122.24 (4 ¹³ / ₁₆)	138.11 (5 ⁷ / ₁₆)	153.20 (6 ¹ / ₃₂)
B	131.23 (5 ¹ / ₆)	128.59 (5 ¹ / ₁₆)	153.20 (6 ¹ / ₃₂)	153.20 (6 ³¹ / ₃₂)	186.53 (7 ¹¹ / ₃₂)	207.96 (8 ³ / ₁₆)
C	47.23 (1 ⁵⁵ / ₆₄)	47.23 (1 ⁵⁵ / ₆₄)	71.44 (2 ¹³ / ₁₆)	69.85 (2 ³ / ₄)	79.38 (3 ¹ / ₈)	95.25 (3 ³ / ₄)
D	72.23 (2 ²⁷ / ₃₂)	72.23 (2 ²⁷ / ₃₂)	88.90 (3 ¹ / ₂)	92.08 (3 ⁵ / ₈)	109.54 (4 ⁵ / ₁₆)	118.27 (4 ²¹ / ₃₂)
E	29.99 (1 ¹ / ₁₆)	29.99 (1 ¹ / ₁₆)	25.40 (1)	44.45 (1 ³ / ₄)	38.10 (1 ¹ / ₂)	49.21 (1 ¹⁵ / ₁₆)
F	33.34 (1 ⁵ / ₁₆)	27.78 (1 ³ / ₃₂)	34.93 (1 ³ / ₈)	52.39 (2 ¹ / ₁₆)	60.33 (2 ³ / ₈)	73.03 (2 ⁷ / ₈)
Pipe Size	9.53 (⅜)	12.70 (½)	19.05 (¾)	25.40 & 31.75 (1 & 1¼)	38.10 (1½)	50.80 (2)
Cv Flow Factor	2.3	3.3	7.5	9.8 & 15.0	28.0	39.0



FSV100 Series requires minimum 5 psi pressure differential for reliable operation.
 Must be installed in horizontal piping with solenoid in vertical position.
 Valve should be sized to flow requirement not pipe size.
 Average closing time: ⅜ to ¾", 1 to 2", 2 to 5 sec.



omega.co.uk[®]

Your One-Stop Source for Process Measurement and Control!

Freephone 0800 488 488 | International +44(0) 161 777 6622 | Fax +44(0) 161 777 6622 | Sales@omega.co.uk

www.omega.co.uk



UNITED STATES

www.omega.com

1-800-TC-OMEGA
Stamford, CT.

CANADA

www.omega.ca

Laval(Quebec)
1-800-TC-OMEGA

GERMANY

www.omega.de

Deckenfronn, Germany
0800-8266342

UNITED KINGDOM

www.omega.co.uk

Manchester, England
0800-488-488
+44-(0)161-777-6611

FRANCE

www.omega.fr

0800-466-342

BENELUX

www.omega.nl

0800-099-33-44



More than 100,000 Products Available!

• Temperature

Calibrators, Connectors, General Test and Measurement Instruments, Handheld Instruments for Temperature Measurement, Ice Point References, Indicating Labels, Crayons, Cements and Lacquers, Infrared Temperature Measurement Instruments, Recorders, Relative Humidity Measurement Instruments, PT100 Probes, PT100 Elements, Temperature & Process Meters, Timers and Counters, Temperature and Process Controllers and Power Switching Devices, Thermistor Elements, Probes and Assemblies, Thermocouples, Thermowells and Head and Well Assemblies, Transmitters, Thermocouple Wire, RTD Probes

• Flow and Level

Air Velocity Indicators, Doppler Flowmeters, Level Measurement, Magnetic Flowmeters, Mass Flowmeters, Pitot Tubes, Pumps, Rotameters, Turbine and Paddle Wheel Flowmeters, Ultrasonic Flowmeters, Valves, Variable Area Flowmeters, Vortex Shedding Flowmeters

• pH and Conductivity

Conductivity Instrumentation, Dissolved Oxygen Instrumentation, Environmental Instrumentation, pH Electrodes and Instruments, Water and Soil Analysis Instrumentation

• Data Acquisition

Communication Products and Converters, Data Acquisition and Analysis Software, Data Loggers Plug-in Cards, Signal Conditioners, USB, RS232, RS485, Ethernet and Parallel Port Data Acquisition Systems, Wireless Transmitters and Receivers

• Pressure, Strain and Force

Displacement Transducers, Dynamic Measurement Force Sensors, Instrumentation for Pressure and Strain Measurements, Load Cells, Pressure Gauges, Pressure Reference Section, Pressure Switches, Pressure Transducers, Proximity Transducers, Regulators, Pressure Transmitters, Strain Gauges, Torque Transducers, Valves

• Heaters

Band Heaters, Cartridge Heaters, Circulation Heaters, Comfort Heaters, Controllers, Meters and Switching Devices, Flexible Heaters, General Test and Measurement Instruments, Heater Hook-up Wire, Heating Cable Systems, Immersion Heaters, Process Air and Duct, Heaters, Radiant Heaters, Strip Heaters, Tubular Heaters