

2-WAY AIR OPERATED ANGLE SEAT VALVES

FSV2100 Series
Starts at

\$185



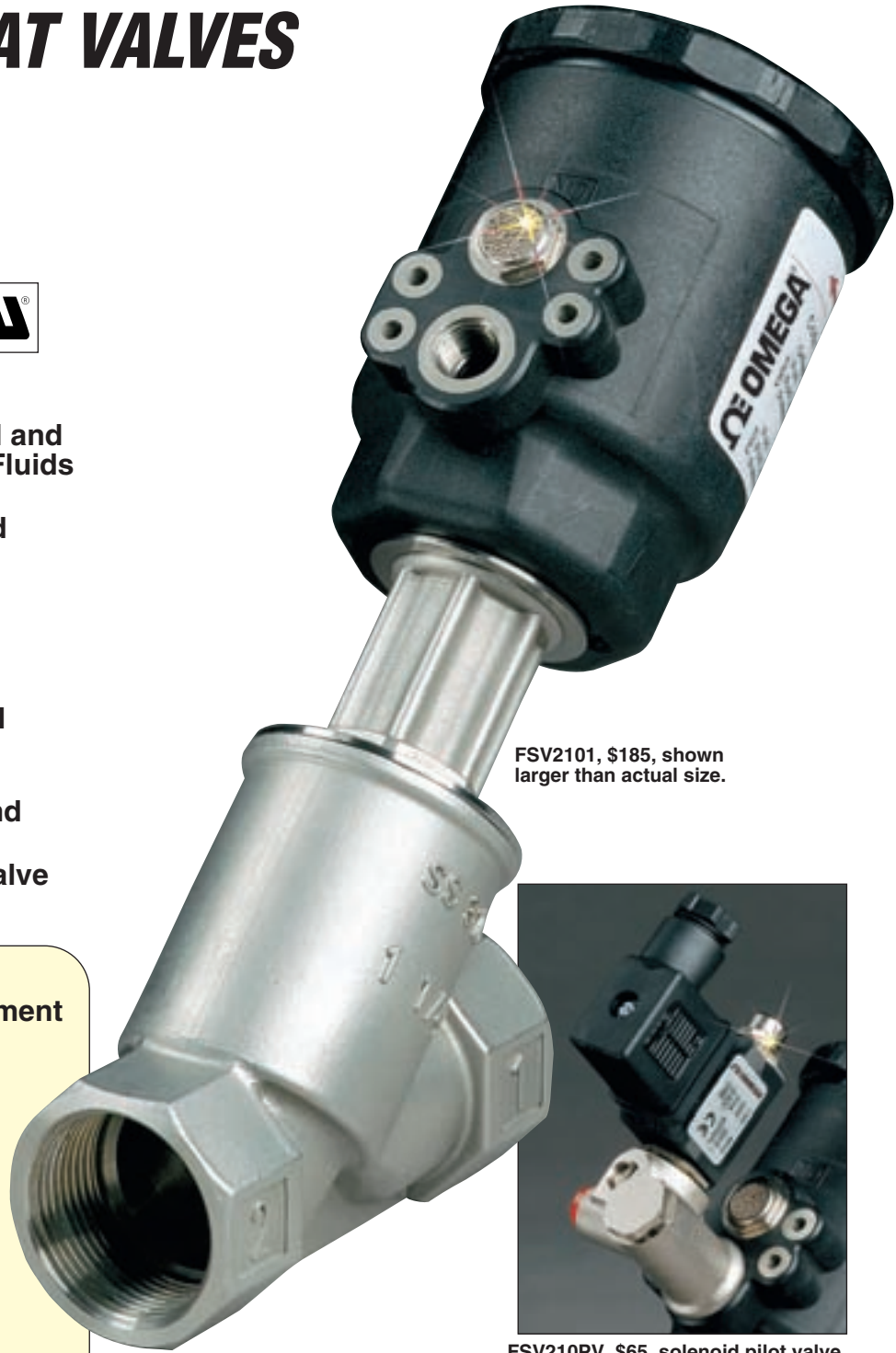
- ✓ Ideal for All Neutral and Some Aggressive Fluids
- ✓ Optical Position Indication Standard
- ✓ Cost-Effective High Cycle Life
- ✓ 316L SS Body, PTFE Seal
- ✓ Floating Seal and Self-Aligning Gland
- ✓ For Water, Steam, Compressed Air, Natural Gas, Oil, and Vacuum Service
- ✓ Normally Closed Valve

APPLICATIONS

- ✓ Air Drying Equipment
- ✓ Industrial Compressors
- ✓ Sterilizers
- ✓ Pollution Control Equipment
- ✓ Autoclaves
- ✓ Bottling, CIP, and Laundry Equipment
- ✓ Textile Dyeing and Drying

The robust construction and 316L SS body and seat of the FSV2100 Series air-operated angle seat valves make them suitable for a wide range of industrial applications. They can be used with many fluids, including steam, select liquids and gases, vacuum, as well as in applications

demanding such high purity that no contamination can be tolerated. The valve stem has a self-aligning gland, which, with the floating seal, ensures maximum integrity. PTFE seal material is standard for maximum fluid compatibility.



FSV2101, \$185, shown larger than actual size.



FSV210PV, \$65, solenoid pilot valve, shown smaller than actual size.

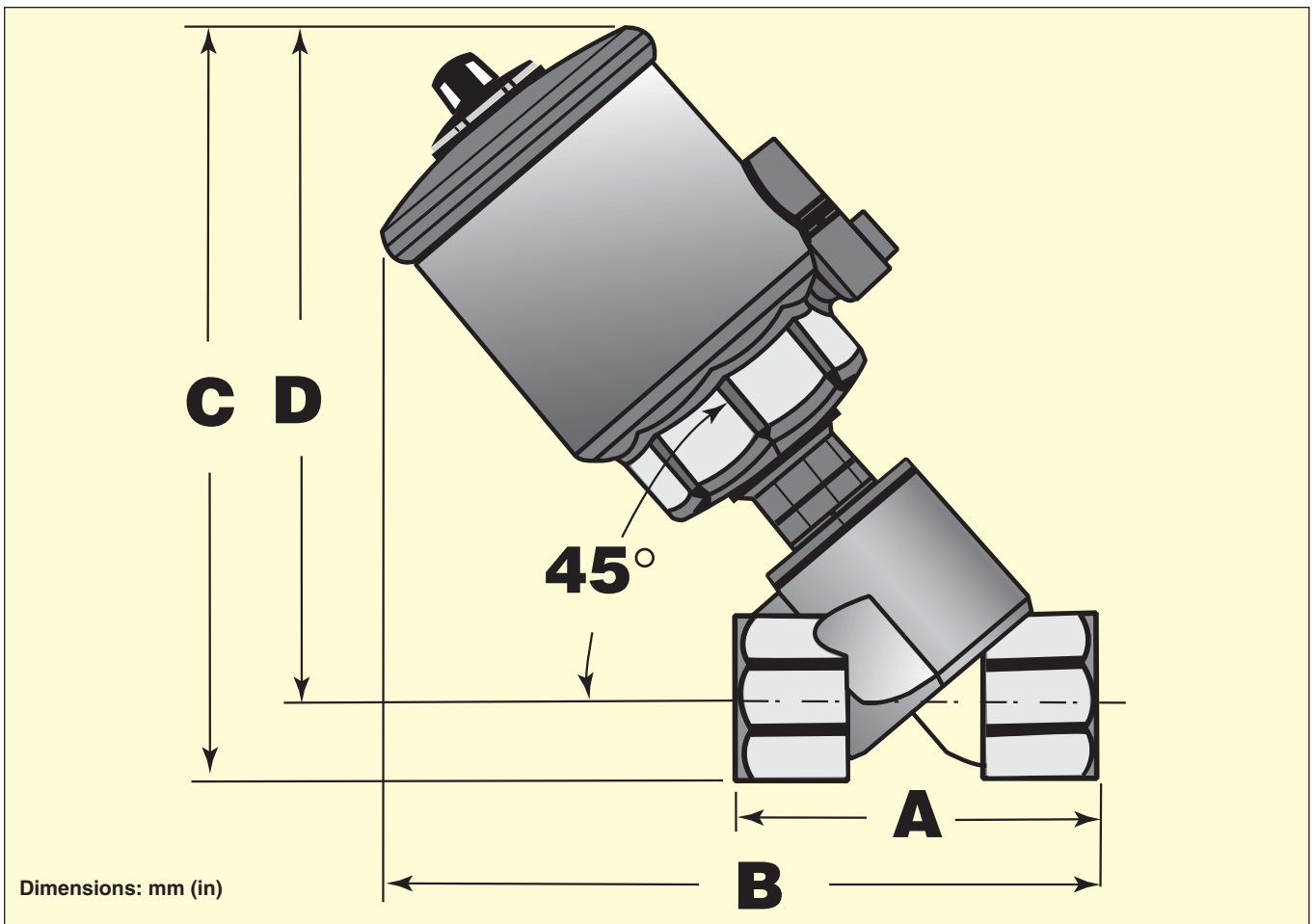
SPECIFICATIONS

Media Temperature:
-10 to 180°C (14 to 356°F)

Body Material:
Stainless steel AISI 316L

Seal Material: PTFE

Pilot Media: Air, inert gases, water, max 60°C (140°F)



Port	Actuator Dia.	A	B	C	D	Weight: kg (lb)
1/2"	63 (2.48)	65 (2.56)	192 (7.56)	184 (7.25)	171 (6.73)	1.4 (3.1)
3/4"	63 (2.48)	75 (2.95)	198 (7.80)	192 (7.56)	176 (6.93)	1.5 (3.3)
1"	63 (2.48)	90 (3.54)	212 (8.35)	205 (8.07)	185 (7.28)	1.9 (4.2)
1 1/4"	63 (2.48)	110 (4.33)	225 (8.86)	217 (8.54)	183 (7.60)	2.3 (5.1)
1 1/2"	63 (2.48)	120 (4.73)	239 (9.41)	225 (8.86)	198 (7.80)	3.0 (6.6)
2"	63 (2.48)	150 (5.91)	248 (9.76)	241 (9.49)	207 (8.15)	3.7 (8.2)

MOST POPULAR MODELS HIGHLIGHTED!

To Order (Specify Model Number)						
Model Number	Price	Port Connection	Nominal Diameter mm (in)	Flow Rate Cv	Pressure Range	
					Min (torr)	Max (psi)
FSV2101	\$185	1/2"	15 (0.59)	4.9	1.5 x 10 ⁻⁴	240*
FSV2102	200	3/4"	20 (0.79)	9.1	1.5 x 10 ⁻⁴	240*
FSV2103	217	1"	25 (0.98)	18.0	1.5 x 10 ⁻⁴	240*
FSV2104	262	1 1/4"	32 (1.26)	28.0	1.5 x 10 ⁻⁴	240*
FSV2105	319	1 1/2"	40 (1.58)	49.0	1.5 x 10 ⁻⁴	150
FSV2106	388	2"	50 (1.97)	60.1	1.5 x 10 ⁻⁴	95

* Maximum pressure with steam is limited to 150 psig.

Accessories		
Model Number	Price	Description
FSV210PV	\$65	Solenoid pilot valve for mounting onto FSV2100 Series valves, 0 to 150 psig source; manual override standard, 120 Vac, 10 VA
PE-1350	155	Reference Book: Handbook of Control Valves

Comes complete with operator's manual
 To order with normally open operation, add suffix "-NO" to model number and \$38 to price.
Ordering Examples: FSV2101, 1/2" angle seat valve, FSV210PV, solenoid valve for integral mounting, \$185 + 65 = \$250.
 FSV2102, 3/4" angle seat valve, FSV210PV, solenoid valve for integral mounting, \$200 + 65 = \$265.

J

omega.co.uk[®]

Your One-Stop Source for Process Measurement and Control!

Freephone 0800 488 488 | International +44(0) 161 777 6622 | Fax +44(0) 161 777 6622 | Sales@omega.co.uk

www.omega.co.uk



UNITED STATES

www.omega.com

1-800-TC-OMEGA
Stamford, CT.

UNITED KINGDOM

www.omega.co.uk

Manchester, England
0800-488-488
+44-(0)161-777-6611

CANADA

www.omega.ca

Laval(Quebec)
1-800-TC-OMEGA

FRANCE

www.omega.fr

0800-466-342

GERMANY

www.omega.de

Deckenfronn, Germany
0800-8266342

BENELUX

www.omega.nl

0800-099-33-44



More than 100,000 Products Available!

• Temperature

Calibrators, Connectors, General Test and Measurement Instruments, Handheld Instruments for Temperature Measurement, Ice Point References, Indicating Labels, Crayons, Cements and Lacquers, Infrared Temperature Measurement Instruments, Recorders, Relative Humidity Measurement Instruments, PT100 Probes, PT100 Elements, Temperature & Process Meters, Timers and Counters, Temperature and Process Controllers and Power Switching Devices, Thermistor Elements, Probes and Assemblies, Thermocouples, Thermowells and Head and Well Assemblies, Transmitters, Thermocouple Wire, RTD Probes

• Flow and Level

Air Velocity Indicators, Doppler Flowmeters, Level Measurement, Magnetic Flowmeters, Mass Flowmeters, Pitot Tubes, Pumps, Rotameters, Turbine and Paddle Wheel Flowmeters, Ultrasonic Flowmeters, Valves, Variable Area Flowmeters, Vortex Shedding Flowmeters

• pH and Conductivity

Conductivity Instrumentation, Dissolved Oxygen Instrumentation, Environmental Instrumentation, pH Electrodes and Instruments, Water and Soil Analysis Instrumentation

• Data Acquisition

Communication Products and Converters, Data Acquisition and Analysis Software, Data Loggers Plug-in Cards, Signal Conditioners, USB, RS232, RS485, Ethernet and Parallel Port Data Acquisition Systems, Wireless Transmitters and Receivers

• Pressure, Strain and Force

Displacement Transducers, Dynamic Measurement Force Sensors, Instrumentation for Pressure and Strain Measurements, Load Cells, Pressure Gauges, Pressure Reference Section, Pressure Switches, Pressure Transducers, Proximity Transducers, Regulators, Pressure Transmitters, Strain Gauges, Torque Transducers, Valves

• Heaters

Band Heaters, Cartridge Heaters, Circulation Heaters, Comfort Heaters, Controllers, Meters and Switching Devices, Flexible Heaters, General Test and Measurement Instruments, Heater Hook-up Wire, Heating Cable Systems, Immersion Heaters, Process Air and Duct, Heaters, Radiant Heaters, Strip Heaters, Tubular Heaters