

INDUSTRIAL FLOW SWITCHES

From 2 to 15 ft/s

FSW-50
Starts at
\$180



- Rugged Industrial Design
- Switch Point Adjustable While Unit is Operating
- 15 A SPDT Switch Directly Controls Pump
- Mounts in Any Position

The FSW-40A and FSW-50 Series flow switches feature 15 A SPDT switches and an internal screw adjustment for in-line monitoring of switch points. Multiple drag disks provide incremental switch point adjustment. Their non-magnetic design makes these switches ideal for applications in which rust is a problem. The FSW-40A Series has a brass and stainless steel construction (optional 316 SS), while the FSW-50 Series comes in a plastic/316 SS construction.

The FSW-40A Series is ideal for machine-cutting oils and for sewage applications in which large objects are not caught on the drag disks. Installation "T" fittings are recommended for installing switches for 2" pipe size and below. For other pipe sizes, a "tee" fitting or weld coupling can be used.

SPECIFICATIONS

Relay Switch: SPDT 15 A @ 125 or 250 Vac; 10,000,000 operations median
Nominal Sensitivity (% Flow Change to Activate Switch):

10% @ upper end of range;
30% @ lower end of range

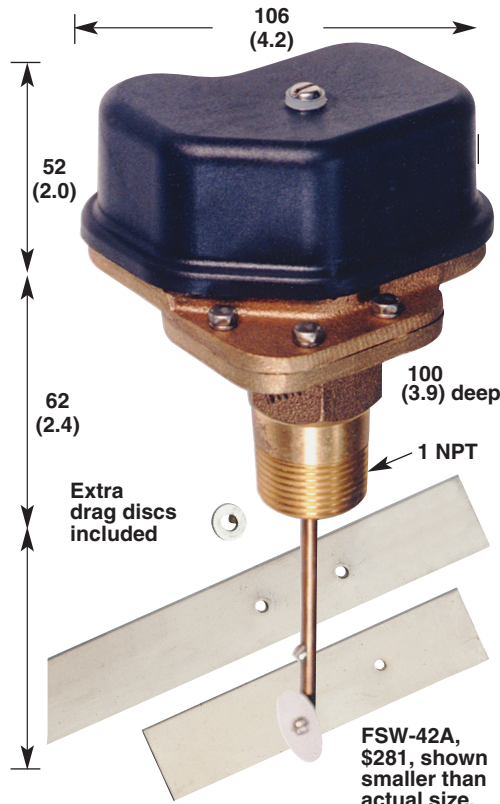
Pressure Drop: 1 to 3" pipe, less than 1 psi; 4" and above, negligible

Max Pressure/Temperature:

FSW-40A Series: 300 psig @ 82°C (180°F)

FSW-50 Series: 100 psig @ 93°C (200°F)

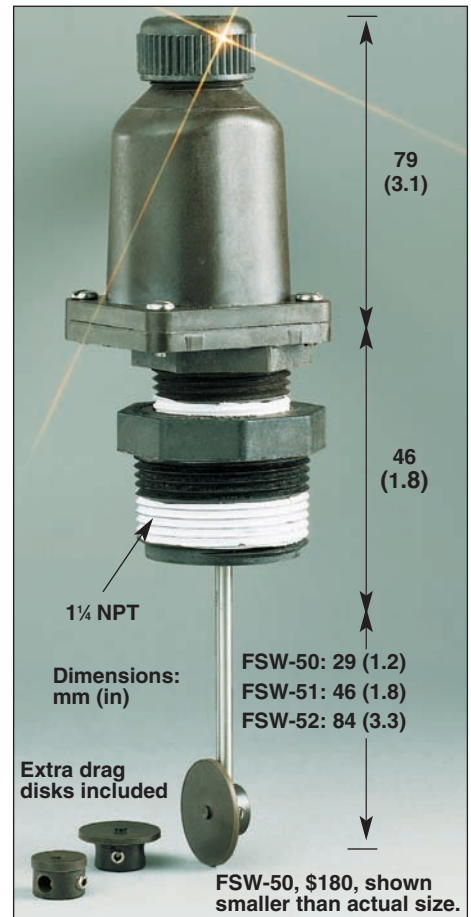
Min Temperature: 4°C (40°F)



Dimensions: mm (in)
FSW-40A/41A: 38 (1.5)
FSW-42A: 89 (3.5)
FSW-43A: 140 (5.5)

Wetted Parts:

FSW-40 Series: Brass, 300 to 304 SS, phosphor bronze and EPDM and cork rubber (other materials are brass body, Noryl® cover, 300 SS and plastic hardware); also available with 316 SS, FKM, and PTFE



Dimensions: mm (in)

FSW-50: 29 (1.2)
FSW-51: 46 (1.8)
FSW-52: 84 (3.3)

Extra drag discs included

FSW-50, \$180, shown smaller than actual size.

FSW-50 Series: Polyphenylene sulfide, 316 SS, FKM; also available with polyphenylene sulfide, Hastelloy C and FKM construction
Electrical Cable Fitting: Water resistant for cable diameters 0.250 ±0.025"

Weight:

FSW-40A Series: 1.59 kg (3.5 lb)

FSW-50 Series: 113 g (4.0 oz)

MOST POPULAR MODELS HIGHLIGHTED!

To Order (Specify Model Number)

Model No.	Price	No. of Extra Disks Included	For Pipe Sizes	Switch Point Adjustment Range (fps)	
				Low	High
FSW-40A	\$281	1	1"	2.0 to 6.0	5.0 to 15.0
FSW-41A	281	2	1½ to 2½"	2.0 to 6.0	5.0 to 15.0
FSW-42A	281	3	3 to 10"	2.0 to 6.0	5.0 to 15.0
FSW-43A	281	3	10 to 48"	2.0 to 6.0	5.0 to 15.0
FSW-50	180	1	1"	3.3 to 5.3	7.4 to 11.5
FSW-51	180	1	1½ to 2½"	2.7 to 5.4	5.4 to 10.8
FSW-52	180	1	3 to 10"	2.0 to 4.0	4.0 to 8.0
ME-0611	215	Reference Book: Fluid Mechanics Measurements			

Comes complete with operator's manual.

For FSW-40A series with 316 SS, FKM and PTFE special construction, add suffix "-SS" to model number and \$179 to price.

For FSW-50 series with polyphenylene sulfide Hastelloy C and FKM special construction, add suffix "-HST" to model number and \$33 to price.

Ordering Examples: FSW-40A-SS, FSW-40A flow switch with special 316 SS, FKM and PTFE construction, \$460.

FSW-42A flow switch for 3 to 10" pipe \$281.

omega.co.uk[®]

Your One-Stop Source for Process Measurement and Control!

Freephone 0800 488 488 | International +44(0) 161 777 6622 | Fax +44(0) 161 777 6622 | Sales@omega.co.uk

www.omega.co.uk



UNITED STATES

www.omega.com

1-800-TC-OMEGA
Stamford, CT.

CANADA

www.omega.ca

Laval(Quebec)
1-800-TC-OMEGA

GERMANY

www.omega.de

Deckenfronn, Germany
0800-8266342

UNITED KINGDOM

www.omega.co.uk

Manchester, England
0800-488-488
+44-(0)161-777-6611

FRANCE

www.omega.fr

0800-466-342

BENELUX

www.omega.nl

0800-099-33-44



More than 100,000 Products Available!

• Temperature

Calibrators, Connectors, General Test and Measurement Instruments, Handheld Instruments for Temperature Measurement, Ice Point References, Indicating Labels, Crayons, Cements and Lacquers, Infrared Temperature Measurement Instruments, Recorders, Relative Humidity Measurement Instruments, PT100 Probes, PT100 Elements, Temperature & Process Meters, Timers and Counters, Temperature and Process Controllers and Power Switching Devices, Thermistor Elements, Probes and Assemblies, Thermocouples, Thermowells and Head and Well Assemblies, Transmitters, Thermocouple Wire, RTD Probes

• Flow and Level

Air Velocity Indicators, Doppler Flowmeters, Level Measurement, Magnetic Flowmeters, Mass Flowmeters, Pitot Tubes, Pumps, Rotameters, Turbine and Paddle Wheel Flowmeters, Ultrasonic Flowmeters, Valves, Variable Area Flowmeters, Vortex Shedding Flowmeters

• pH and Conductivity

Conductivity Instrumentation, Dissolved Oxygen Instrumentation, Environmental Instrumentation, pH Electrodes and Instruments, Water and Soil Analysis Instrumentation

• Data Acquisition

Communication Products and Converters, Data Acquisition and Analysis Software, Data Loggers Plug-in Cards, Signal Conditioners, USB, RS232, RS485, Ethernet and Parallel Port Data Acquisition Systems, Wireless Transmitters and Receivers

• Pressure, Strain and Force

Displacement Transducers, Dynamic Measurement Force Sensors, Instrumentation for Pressure and Strain Measurements, Load Cells, Pressure Gauges, Pressure Reference Section, Pressure Switches, Pressure Transducers, Proximity Transducers, Regulators, Pressure Transmitters, Strain Gauges, Torque Transducers, Valves

• Heaters

Band Heaters, Cartridge Heaters, Circulation Heaters, Comfort Heaters, Controllers, Meters and Switching Devices, Flexible Heaters, General Test and Measurement Instruments, Heater Hook-up Wire, Heating Cable Systems, Immersion Heaters, Process Air and Duct, Heaters, Radiant Heaters, Strip Heaters, Tubular Heaters