

CONTROL VALVES

FVL-400 Series
Starts at
\$68

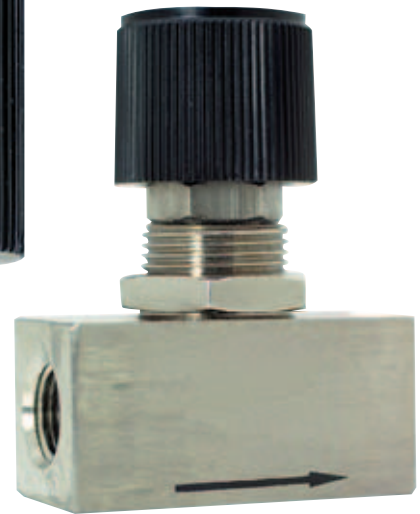
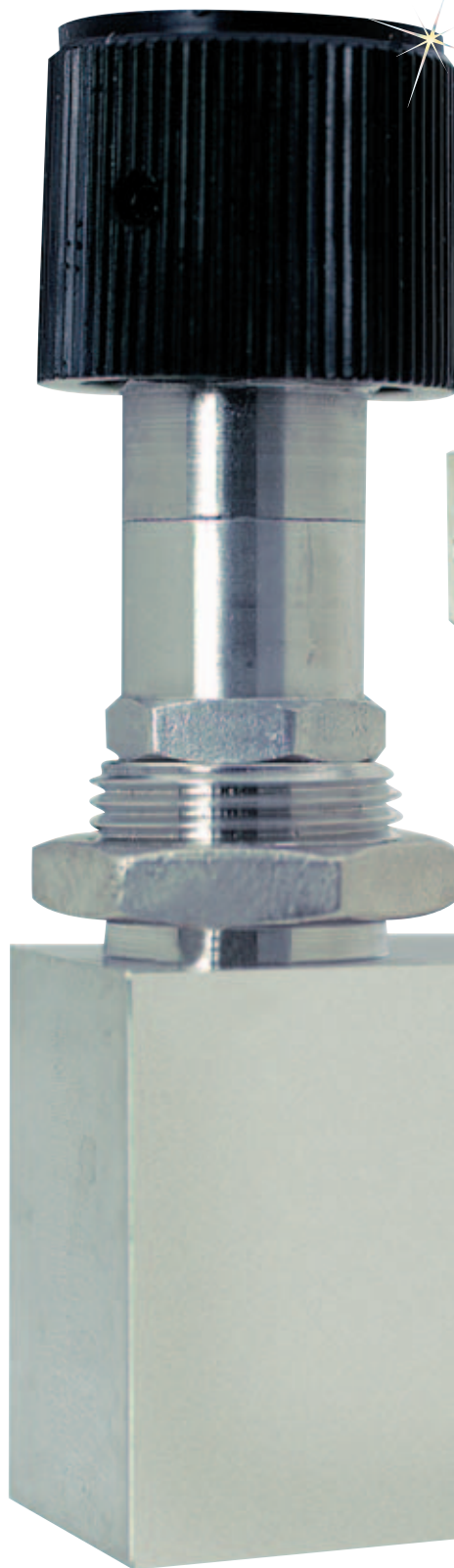


- ✓ All Designs are Panel Mountable
- ✓ Positive Shutoff
- ✓ Straight-Thru (180°) or Right Angle (90°) Flow Paths
- ✓ Standard Valve 10 Turns to Full Open
- ✓ Interchangeable Needle Tapers
- ✓ 316 Stainless Steel or Brass
- ✓ Flow Ranges from 5 CCM to 68 LPM of Air
- ✓ Precision Valve 16 Turns to Full Open

OMEGA® offers the FVL-400 Series control valves for low flow OEM, laboratory instrumentation, or bench top flow control purposes. The valve designs and material make them suitable for use with a variety of gases and fluids.

Complete valves are available in straight through (180°) or 90° angle body configurations and are constructed of brass or stainless steel. All valves are supplied with 1/8" FNPT inlet and outlet ports. The standard control valve is available in 3 different needle tapers which cover our entire flow range. These units have a rising stem and provide 10 turns from closed to full open.

The non-rising stem precision control valve is available in 6 different needle tapers, for fine control of very low flows. This valve offers 16 turns from closed to full open. Its design eliminates saw-toothing and is virtually hysteresis-free. All materials are matched for similar coefficients of expansion.



FVL-406-SS, \$159, shown larger than actual size.

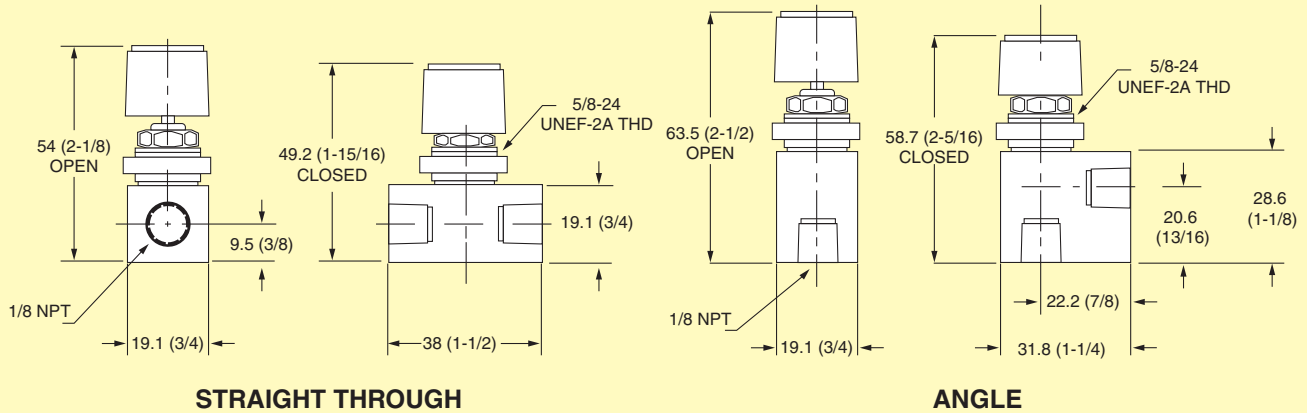
FVL-416-SS, \$159, shown larger than actual size.

Specifications

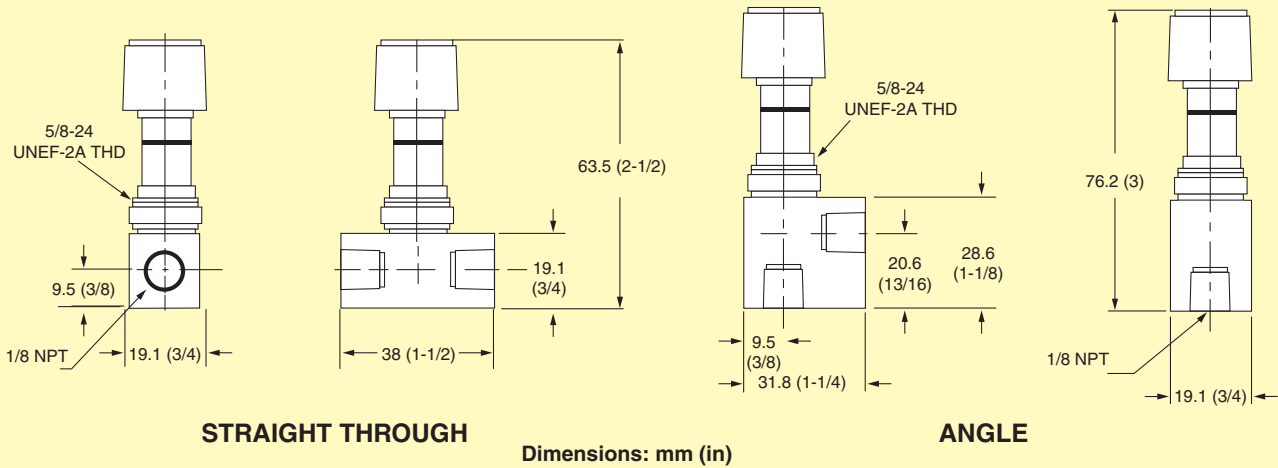
Body Material	Valve Stem	Seals	Orifice	Temp*	Pressure*
Nickel Plated Brass	316 SS	Nitrile	316 SS	54°C (130°F)	17.2 bar 250 psig
316 SS	316 SS	Fluorocarbon	Kel-F	121°C (250°F)	17.2 bar 250 psig

* Maximum Ratings

Standard Control Valve



Precision Control Valve



Dimensions: mm (in)

MOST POPULAR MODELS HIGHLIGHTED!

To Order (Specify Model Number)

Standard Valves										
Brass Straight Thru Model No.	Price	Brass 90° Angle Model No.	Price	316 SS Straight Thru Model No.	Price	316 SS 90° Angle Model No.	Price	Maximum Flow CCM**		C _v
								Air	Water	
FVL-401	\$68	—	—	FVL-401-SS	\$126	FVL-411-SS	\$126	13,000	760	0.0320
FVL-402	68	—	—	FVL-402-SS	126	FVL-412-SS	126	46,000	2150	0.0912
FVL-403	68	—	—	FVL-403-SS	126	FVL-413-SS	126	68,000	3550	0.1653
Precision Valves										
FVL-404	\$101	FVL-414	\$101	FVL-404-SS	\$159	FVL-414-SS	\$159	253	17	0.0006
FVL-405	101	FVL-415	101	FVL-405-SS	159	FVL-415-SS	159	470	28	0.0011
FVL-406	101	FVL-416	101	FVL-406-SS	159	FVL-416-SS	159	1100	74	0.0029
FVL-407	101	FVL-417	101	FVL-407-SS	159	FVL-417-SS	159	3800	219	0.0110
FVL-408	101	FVL-418	101	FVL-408-SS	159	FVL-418-SS	159	11,900	722	0.0328
FVL-409	101	FVL-419	101	FVL-409-SS	159	FVL-419-SS	159	21,300	1255	0.0494

Comes complete with operator's manual.

** Based on 10 psig inlet pressure of air, exhausting to atmosphere.

Ordering Examples: FVL-403, straight through brass valve, 3550 ccm water max flow, \$68.

FVL-406, straight through precision brass valve, 74 ccm water max flow, \$101.

omega.co.uk®

Your One-Stop Source for Process Measurement and Control!

Freephone 0800 488 488 | International +44(0) 161 777 6622 | Fax +44(0) 161 777 6622 | Sales@omega.co.uk

www.omega.co.uk



UNITED STATES

www.omega.com

1-800-TC-OMEGA
Stamford, CT.

CANADA

www.omega.ca

Laval(Quebec)
1-800-TC-OMEGA

GERMANY

www.omega.de

Deckenfronn, Germany
0800-8266342

UNITED KINGDOM

www.omega.co.uk

Manchester, England
0800-488-488
+44-(0)161-777-6611

FRANCE

www.omega.fr

0800-466-342

BENELUX

www.omega.nl

0800-099-33-44



More than 100,000 Products Available!

• Temperature

Calibrators, Connectors, General Test and Measurement Instruments, Handheld Instruments for Temperature Measurement, Ice Point References, Indicating Labels, Crayons, Cements and Lacquers, Infrared Temperature Measurement Instruments, Recorders, Relative Humidity Measurement Instruments, PT100 Probes, PT100 Elements, Temperature & Process Meters, Timers and Counters, Temperature and Process Controllers and Power Switching Devices, Thermistor Elements, Probes and Assemblies, Thermocouples, Thermowells and Head and Well Assemblies, Transmitters, Thermocouple Wire, RTD Probes

• Flow and Level

Air Velocity Indicators, Doppler Flowmeters, Level Measurement, Magnetic Flowmeters, Mass Flowmeters, Pitot Tubes, Pumps, Rotameters, Turbine and Paddle Wheel Flowmeters, Ultrasonic Flowmeters, Valves, Variable Area Flowmeters, Vortex Shedding Flowmeters

• pH and Conductivity

Conductivity Instrumentation, Dissolved Oxygen Instrumentation, Environmental Instrumentation, pH Electrodes and Instruments, Water and Soil Analysis Instrumentation

• Data Acquisition

Communication Products and Converters, Data Acquisition and Analysis Software, Data Loggers Plug-in Cards, Signal Conditioners, USB, RS232, RS485, Ethernet and Parallel Port Data Acquisition Systems, Wireless Transmitters and Receivers

• Pressure, Strain and Force

Displacement Transducers, Dynamic Measurement Force Sensors, Instrumentation for Pressure and Strain Measurements, Load Cells, Pressure Gauges, Pressure Reference Section, Pressure Switches, Pressure Transducers, Proximity Transducers, Regulators, Pressure Transmitters, Strain Gauges, Torque Transducers, Valves

• Heaters

Band Heaters, Cartridge Heaters, Circulation Heaters, Comfort Heaters, Controllers, Meters and Switching Devices, Flexible Heaters, General Test and Measurement Instruments, Heater Hook-up Wire, Heating Cable Systems, Immersion Heaters, Process Air and Duct, Heaters, Radiant Heaters, Strip Heaters, Tubular Heaters