

# UNIVERSAL LIQUID-LEVEL SENSOR

LV140 Series  
Starts at  
**\$90**



- ✓ **Compact—Fits Interstitial Spaces**
- ✓ **Suitable for Hydrocarbons or Water**
- ✓ **No Calibration Necessary**
- ✓ **Long Service Life**

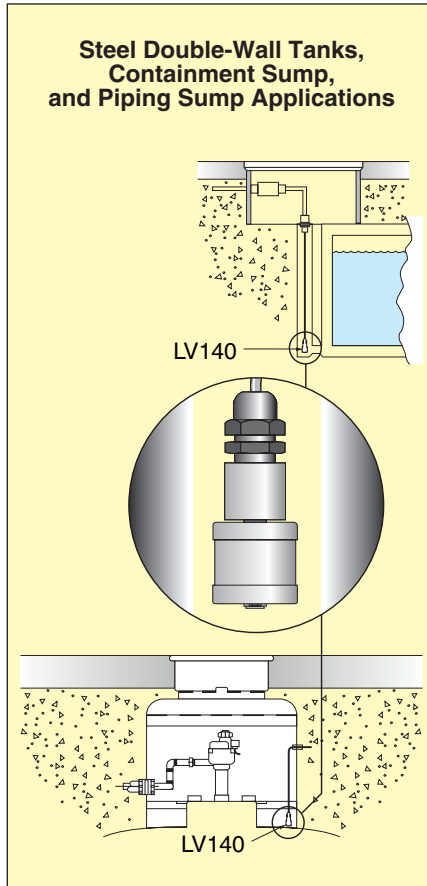
The compact LV140 single-float, liquid-level sensor is ideal for use in steel double-wall tanks or containment sump areas. It requires no calibration, and is easy to install and maintain. When positioned vertically at the bottom of a steel tank's stand pipe or in a sump, it detects liquids such as hydrocarbons and water, as low as 3/4" from the bottom of a tank or sump. The epoxy-encapsulated design is ideal for harsh environments. An integral slosh shield guards the float from debris.

The principle behind the LV140 is straightforward. The float is equipped with powerful, permanent magnets. As the float rises or lowers with liquid level, it actuates a magnetic reed switch mounted within the stem. In response, the electrical circuit opens or closes, activating an external alarm or control circuit. When mounted vertically, the LV140 provides a consistent accuracy of  $\pm 1/8"$ .

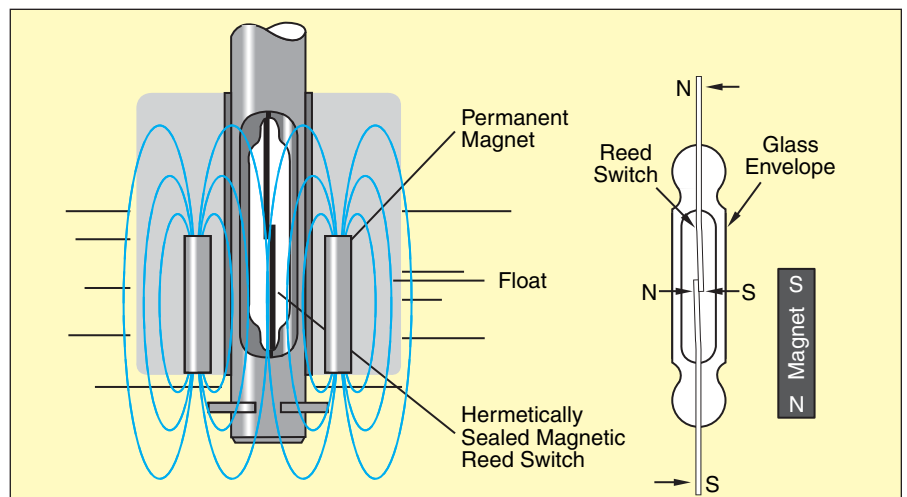
The reed switch ensures long, trouble-free service. Hermetically sealed, these switches allow for repeatability, with actuation points that remain constant over the life of the unit.

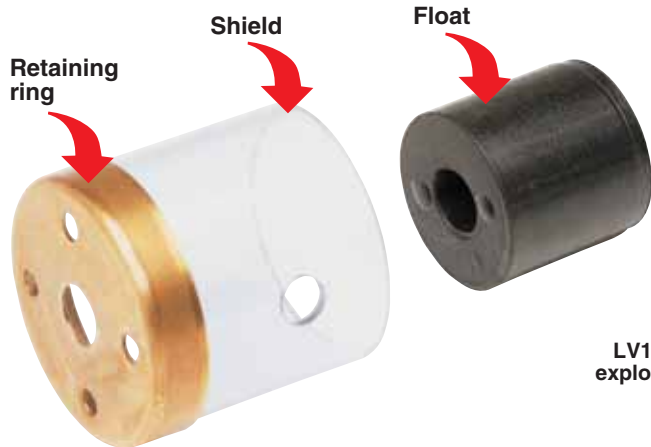


LV141, \$90,  
shown larger  
than actual size.

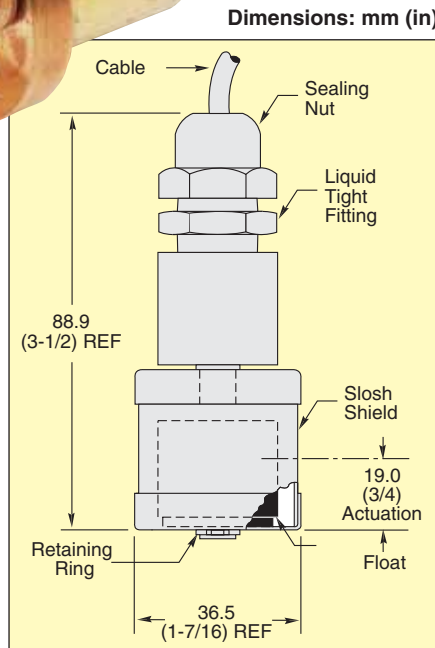
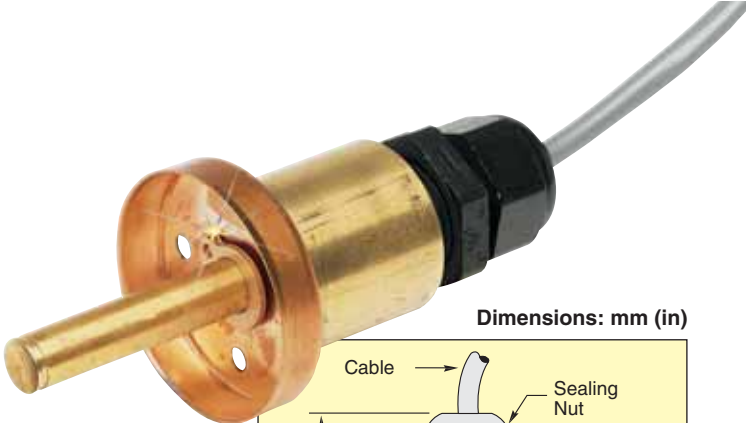


**Note:** The LV140 sensor is a non-voltage-producing device and does not contain energy-storing components. However, since primary use is in hazardous locations, an appropriate intrinsically safe (IS) interface device is required for its use.



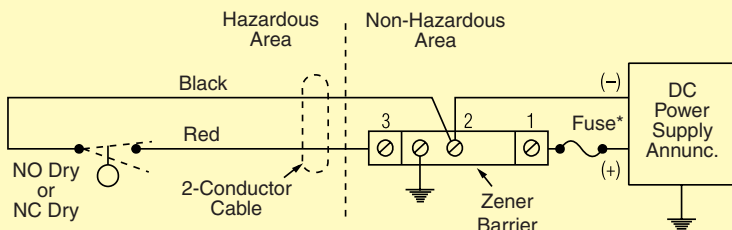


LV141, \$90, exploded view.

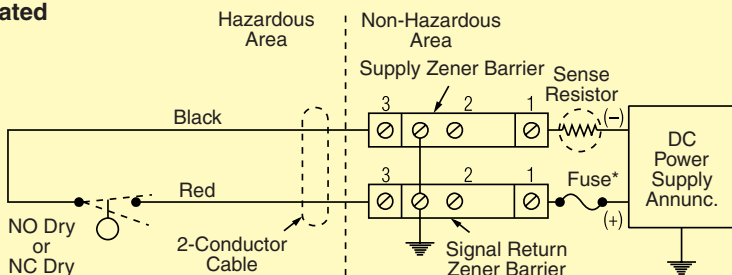


### Typical Wiring Diagram

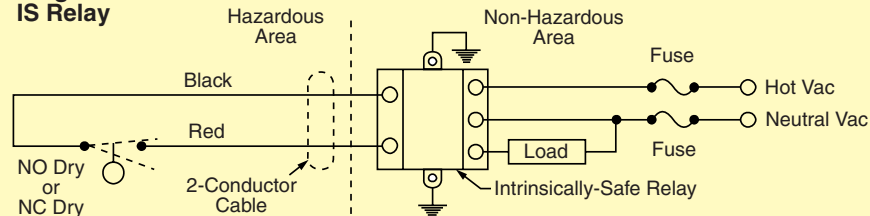
#### Non-Isolated



#### Isolated



#### Single IS Relay



Note: If 2 signal lines must be maintained at above ground potential, an individual zener barrier is required per single line.

### SPECIFICATIONS

**Wetted Materials:** Brass, nitrile, nylon, PVC, beryllium, copper

**Operating Temperature:** -40 to 82°C (-40 to 180°F)

**Accuracy:** ±3.2 mm (1/8")

**Switch Rating:** 20 VA, 120 to 240 Vac pilot duty; 20 W, 50 to 240 Vdc resistive

**Cable:** 2-conductor PVC or PFA coated jackets [7.6 m (25') extended]

**Approvals:**

UL recognized; CSA certified

**Weight:** 453 g (1 lb)

**MOST POPULAR MODEL HIGHLIGHTED!**

### To Order (Specify Model Number)

Model No.	Price	Cable
LV141	\$90	PVC jacketed, level sensor normally closed, dry
LV142	179	PFA jacketed level sensor normally closed, dry
ES-2247	125	Reference Book: Urban Water Supply Handbook

Comes with 7.6 m (25'), 2-conductor PVC or PFA jacketed cables and complete operator's manual.

For normally open switch add suffix "-NO" at the end of the part number; no extra cost.

**Ordering Example:** LV142, PFA jacketed sensor, \$179.



# omega.co.uk<sup>®</sup>

Your One-Stop Source for Process Measurement and Control!

Freephone 0800 488 488 | International +44(0) 161 777 6622 | Fax +44(0) 161 777 6622 | Sales@omega.co.uk

[www.omega.co.uk](http://www.omega.co.uk)



#### UNITED STATES

[www.omega.com](http://www.omega.com)

1-800-TC-OMEGA  
Stamford, CT.

#### CANADA

[www.omega.ca](http://www.omega.ca)

Laval(Quebec)  
1-800-TC-OMEGA

#### GERMANY

[www.omega.de](http://www.omega.de)

Deckenfronn, Germany  
0800-8266342

#### UNITED KINGDOM

[www.omega.co.uk](http://www.omega.co.uk)

Manchester, England  
0800-488-488  
+44-(0)161-777-6611

#### FRANCE

[www.omega.fr](http://www.omega.fr)

0800-466-342

#### BENELUX

[www.omega.nl](http://www.omega.nl)

0800-099-33-44



## More than 100,000 Products Available!

### • Temperature

Calibrators, Connectors, General Test and Measurement Instruments, Handheld Instruments for Temperature Measurement, Ice Point References, Indicating Labels, Crayons, Cements and Lacquers, Infrared Temperature Measurement Instruments, Recorders, Relative Humidity Measurement Instruments, PT100 Probes, PT100 Elements, Temperature & Process Meters, Timers and Counters, Temperature and Process Controllers and Power Switching Devices, Thermistor Elements, Probes and Assemblies, Thermocouples, Thermowells and Head and Well Assemblies, Transmitters, Thermocouple Wire, RTD Probes

### • Flow and Level

Air Velocity Indicators, Doppler Flowmeters, Level Measurement, Magnetic Flowmeters, Mass Flowmeters, Pitot Tubes, Pumps, Rotameters, Turbine and Paddle Wheel Flowmeters, Ultrasonic Flowmeters, Valves, Variable Area Flowmeters, Vortex Shedding Flowmeters

### • pH and Conductivity

Conductivity Instrumentation, Dissolved Oxygen Instrumentation, Environmental Instrumentation, pH Electrodes and Instruments, Water and Soil Analysis Instrumentation

### • Data Acquisition

Communication Products and Converters, Data Acquisition and Analysis Software, Data Loggers Plug-in Cards, Signal Conditioners, USB, RS232, RS485, Ethernet and Parallel Port Data Acquisition Systems, Wireless Transmitters and Receivers

### • Pressure, Strain and Force

Displacement Transducers, Dynamic Measurement Force Sensors, Instrumentation for Pressure and Strain Measurements, Load Cells, Pressure Gauges, Pressure Reference Section, Pressure Switches, Pressure Transducers, Proximity Transducers, Regulators, Pressure Transmitters, Strain Gauges, Torque Transducers, Valves

### • Heaters

Band Heaters, Cartridge Heaters, Circulation Heaters, Comfort Heaters, Controllers, Meters and Switching Devices, Flexible Heaters, General Test and Measurement Instruments, Heater Hook-up Wire, Heating Cable Systems, Immersion Heaters, Process Air and Duct, Heaters, Radiant Heaters, Strip Heaters, Tubular Heaters