

SELF-CHECKING HIGH LEVEL INDICATOR

LV150 Series
Starts at
\$210



- ✓ **Manually "Press to Check"**
- ✓ **Adjustable Versions for Various Tank Sizes**
- ✓ **Standard 2" NPT Mounting**

The LV150 Series high level indicators provide a unique solution for tank overflow indication requiring self-checking. This indicator is designed with a 2 NPT mounting, making it ideal for use in underground and aboveground storage tanks. When mounted vertically at the tank top, it reliably indicates high liquid level.

To operate, simply press the brass tube fitting down to perform the self-check test. This manual operation physically moves the inner reed switch assembly while the float remains stationary (wet or dry). By doing this, the switch logic is inverted, checking the integrity of the circuitry without the need to remove the unit from the tank.

Adjustable versions are available for varying tank sizes. A special cinch nut on the mounting allows the stem to travel up or down to fine-tune actuation points. The extent of the adjustment depends on the unit's length and distance from the mounting to the highest float stop.

The LV150 Series is offered in integral one foot lengths. For other lengths, adaptor systems are available. They consist of 2 parts: the LVR-C6S coupling (2 x 2 FNPT) and an LVR-6S pipe

nipple (2 x 2 MNPT) of various lengths to change the insertion depth of the sensor. When using the adaptors, retaining clip pliers are required to remove the float for installation.

SPECIFICATIONS

Wetted Materials:

Stem and Mounting: Brass or 316 stainless steel

Float: Nitrile or 316 stainless steel

Operating Temperature:

-40 to 82°C (-40 to 180°F)

Pressure Limitations: Up to 125 PSIG with brass adaptors; up to 150 PSIG for Nitrile float units or when used with 316 SS adaptors; up to 750 PSIG for 316 SS float units.

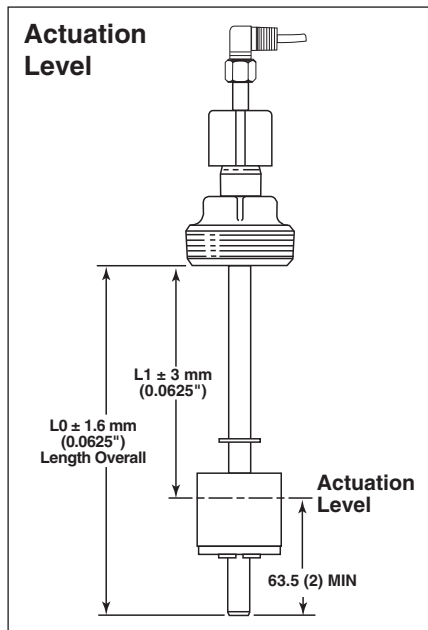
Accuracy: ±3 mm (±1/8")

Switch Rating: 20 VA, 120-240 Vac pilot duty; 20 W, 50-240 Vdc resistive

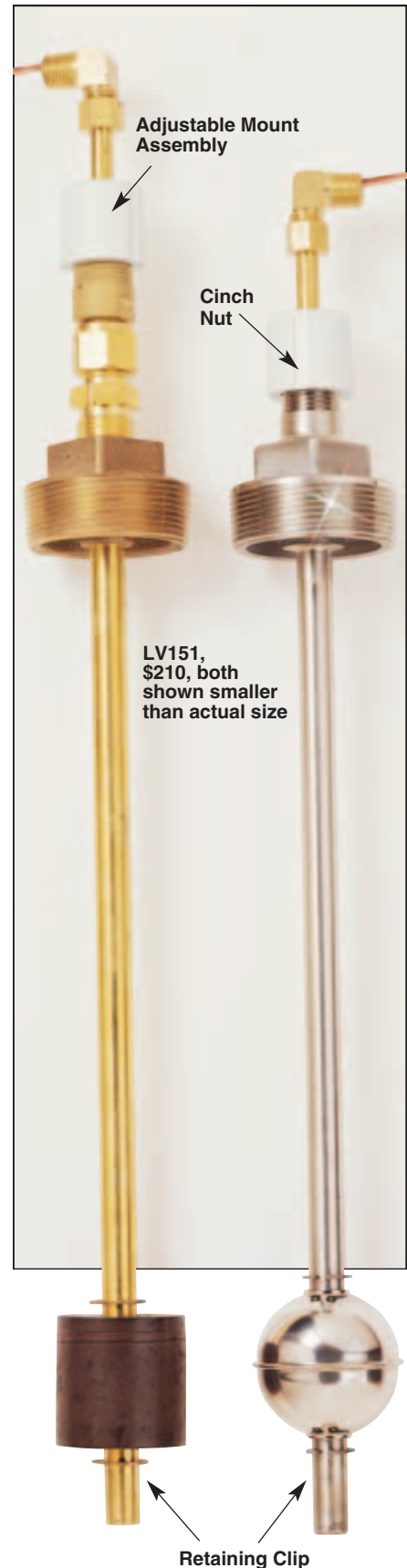
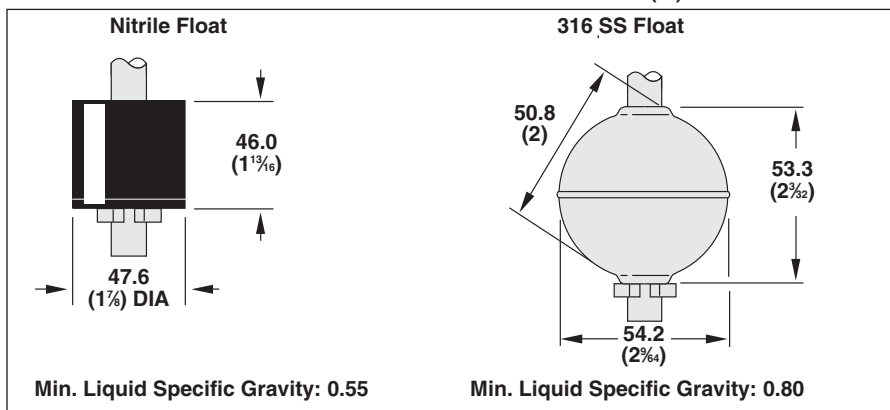
Cable: 2-Conductor PVC jacketed (4 feet extended)

Approvals: UL Recognized

Weight: 1 1/4 lb + 1/8 lb/ft for indicators; 1 1/4 lb for LVR-C6S

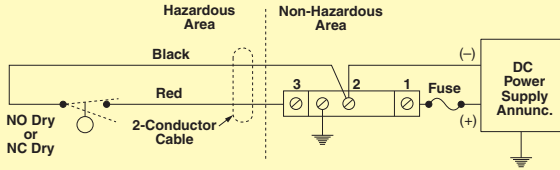


Dimensions: mm (in)

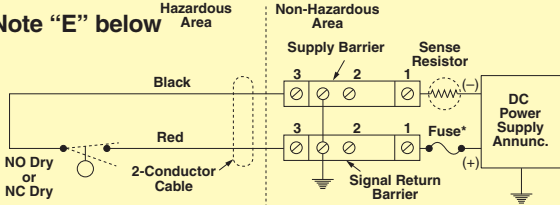


Typical Wiring Diagrams

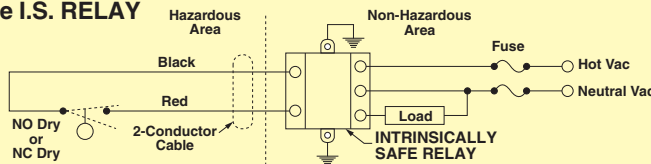
See Note "D" below



See Note "E" below



See Note "F" below
Single I.S. RELAY



D: Non-isolated System-Zener Barrier

E: Isolated System-Zener Barrier

F: If two signal lines must be maintained above ground potential, an individual zener barrier is required per single line.



MOST POPULAR MODELS HIGHLIGHTED!

To Order (Specify Model No.)

Brass/Nitrile Std Mount		316 SS Std Mount		"LO" Length
Model No.	Price	Model No.	Price	
LV151	\$210	LV151SS	\$336	1 ft
LV152	231	LV152SS	378	2 ft
LV153	252	LV153SS	431	3 ft
LV154	273	LV154SS	478	4 ft
LV155	294	LV155SS	520	5 ft
LV156	326	LV156SS	573	6 ft

For units with adjustable mount, add suffix "-A" to model number, and \$53 for brass units and \$85 for 316 SS units.

Ordering Example: LV156SS-A, "Press to check" level switch with all 316 SS construction, adjustable mount, and an LO length of 72", \$573 + \$85 = \$658.

Accessory

Model No.	Price	Description
LVR-C6S	\$45	150 lb 316 SS Coupling with 2 x 2 FNPT

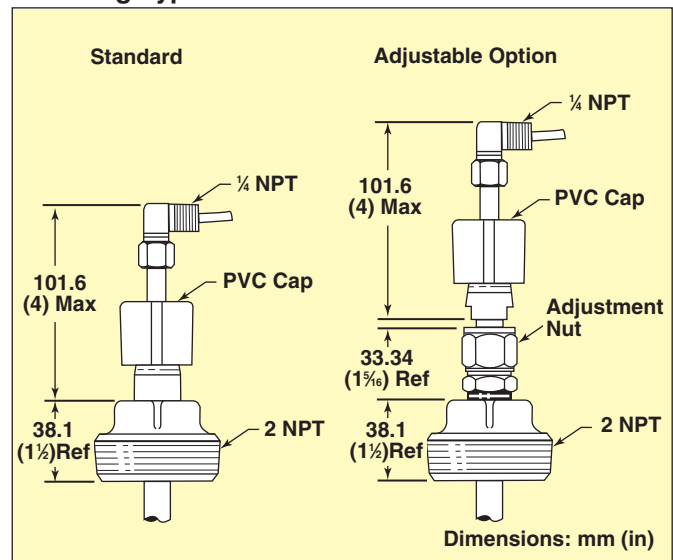
150 lb 316 SS Pipe Nipples

Model No.	Price	Weight	Insertion Length Change	Model No.	Price	Weight	Insertion Length Change	Model No.	Price	Weight	Insertion Length Change
LVR-6S4	\$19	¾ lb	4"	LVR-6S7	\$31	1½ lb	7"	LVR-6S13	\$61	3 lb	13"
LVR-6S5	25	1 lb	5"	LVR-6S9	42	2 lb	9"				
LVR-6S6	27	1¼ lb	6"	LVR-6S11	52	2½ lb	11"				

Ordering Example: LVR-6S11, 316 SS, nipple and LVR-C6S, 316 SS coupling, \$52 + \$45 = \$97. This adaptor system will decrease overall insertion length by a nominal 11".

K-62b

Mounting Types



K

omega.co.uk[®]

Your One-Stop Source for Process Measurement and Control!

Freephone 0800 488 488 | International +44(0) 161 777 6622 | Fax +44(0) 161 777 6622 | Sales@omega.co.uk

www.omega.co.uk



UNITED STATES

www.omega.com

1-800-TC-OMEGA
Stamford, CT.

CANADA

www.omega.ca

Laval(Quebec)
1-800-TC-OMEGA

GERMANY

www.omega.de

Deckenfronn, Germany
0800-8266342

UNITED KINGDOM

www.omega.co.uk

Manchester, England
0800-488-488
+44-(0)161-777-6611

FRANCE

www.omega.fr

0800-466-342

BENELUX

www.omega.nl

0800-099-33-44



More than 100,000 Products Available!

• Temperature

Calibrators, Connectors, General Test and Measurement Instruments, Handheld Instruments for Temperature Measurement, Ice Point References, Indicating Labels, Crayons, Cements and Lacquers, Infrared Temperature Measurement Instruments, Recorders, Relative Humidity Measurement Instruments, PT100 Probes, PT100 Elements, Temperature & Process Meters, Timers and Counters, Temperature and Process Controllers and Power Switching Devices, Thermistor Elements, Probes and Assemblies, Thermocouples, Thermowells and Head and Well Assemblies, Transmitters, Thermocouple Wire, RTD Probes

• Flow and Level

Air Velocity Indicators, Doppler Flowmeters, Level Measurement, Magnetic Flowmeters, Mass Flowmeters, Pitot Tubes, Pumps, Rotameters, Turbine and Paddle Wheel Flowmeters, Ultrasonic Flowmeters, Valves, Variable Area Flowmeters, Vortex Shedding Flowmeters

• pH and Conductivity

Conductivity Instrumentation, Dissolved Oxygen Instrumentation, Environmental Instrumentation, pH Electrodes and Instruments, Water and Soil Analysis Instrumentation

• Data Acquisition

Communication Products and Converters, Data Acquisition and Analysis Software, Data Loggers Plug-in Cards, Signal Conditioners, USB, RS232, RS485, Ethernet and Parallel Port Data Acquisition Systems, Wireless Transmitters and Receivers

• Pressure, Strain and Force

Displacement Transducers, Dynamic Measurement Force Sensors, Instrumentation for Pressure and Strain Measurements, Load Cells, Pressure Gauges, Pressure Reference Section, Pressure Switches, Pressure Transducers, Proximity Transducers, Regulators, Pressure Transmitters, Strain Gauges, Torque Transducers, Valves

• Heaters

Band Heaters, Cartridge Heaters, Circulation Heaters, Comfort Heaters, Controllers, Meters and Switching Devices, Flexible Heaters, General Test and Measurement Instruments, Heater Hook-up Wire, Heating Cable Systems, Immersion Heaters, Process Air and Duct, Heaters, Radiant Heaters, Strip Heaters, Tubular Heaters