



# INDUSTRIAL pH INSTRUMENTATION & ELECTRODES

## Heavy-Duty pH Sensor for Submersible Applications

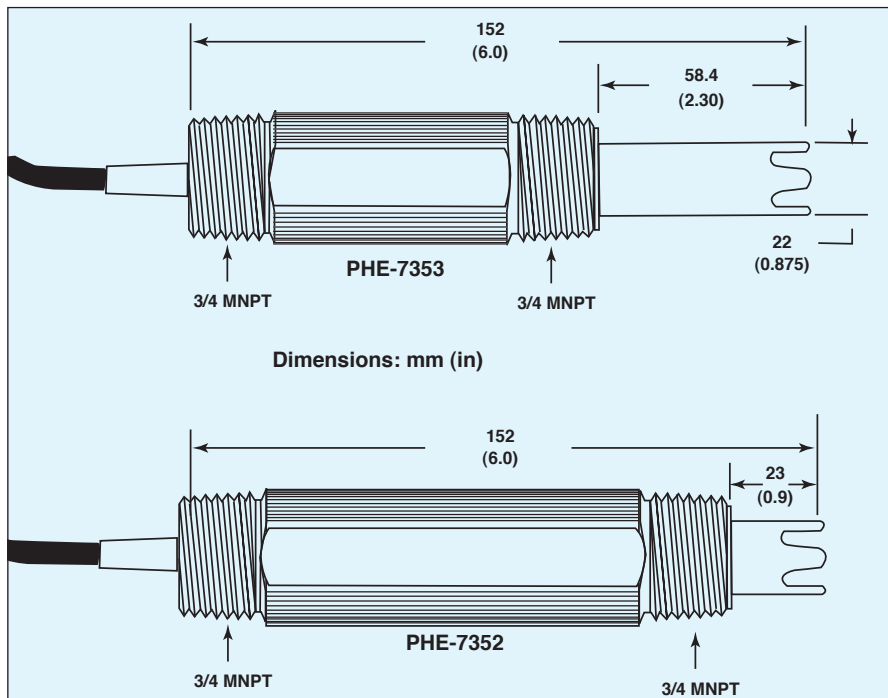
PHE-7352-15

**\$135**



PHE-7352-15, \$135, shown smaller than actual size.

PHE-7353-15, \$150, shown smaller than actual size.



The PHE-7352-15 is a combination pH sensor designed for insertable use in process and waste water applications where greater pipeline penetration is required. The outer body material is Ryton® and has 3/4 MNPT (or optional 1 MNPT) front and rear facing threads with 2 1/4" (57.1 mm) insertion depth. The sensor features sealed double junction construction which is highly resistant to electrode poisoning solutions, (typically those with cyanide, ammonia, sulfide and heavy metals in appreciable concentrations). The use of the non-fouling patented Porous PTFE liquid junction ensures a steady presence of reference electrolyte. Coupled with the novel plunger pH glass electrode design, this sensor assures a low long maintenance service life in most applications. Use of the high temperature version is recommended where service temperatures continuously exceed 80°C (176°F).

### Specifications

**pH Range:** 0 to 14 pH  
**Temperature Range:** 0 to 80°C (32 to 176°F) or 0 to 110°C (32 to 230°F) (HT high temperature version)  
**Pressure Range:** 0 to 100 psig or 0 to 150 psig (HT high temperature version)  
 $\beta \pm 0.1\%$  over full range  
**Sodium Error:** Less than 0.05 pH in 0.1 Molar Na<sup>+</sup> ion @ 12.8 pH

**Impedance:** 150 MΩ @ 25°C (77°F)

### Reference Cell:

Double junction KNO<sub>3</sub> and KCl/AgCl

**Zero Potential:** 7.0 pH ± 0.2 pH

### Wetted Materials:

Ryton®, PTFE, FKM, glass

### Response Time:

95% of reading in 10 sec

**Drift:** <2 mV per week

**AVAILABLE FOR FAST DELIVERY!**

### Applications

- ✓ Suitable for Severe Conditions
- ✓ Large Diameter Pipe Insertion
- ✓ Waste Water Pipeline Insertion
- ✓ Strong Ryton® Body
- ✓ Low Maintenance
- ✓ Short or Long Insertion Lengths
- ✓ Any Angle Orientation

### To Order (Specify Model Number)

Model No.	Price	Price w/ATC	Description
PHE-7352-15-(* )	\$135	\$175	Heavy-duty submersible pH electrode
PHE-7353-15-(* )	150	190	Heavy-duty long length insertion pH electrode
ORE-7352-15	175	—	Heavy-duty submersible ORP electrode
ORE-7353-15	190	—	Heavy duty long length insertion ORP electrode

Comes complete with operator's manual.

Specify ATC sensor: "-PT100" for 100 Ω Pt RTD or "-PT1K" for 1000 Ω Pt RTD.

Ordering Examples: PHE-7352-15-PT100-HT is a heavy-duty submersible pH sensor with "-HT" (for high temperature), and 100 Ω Pt RTD ATC, \$175 + 35 = \$210.

PHE-7353-15, submersible pH electrode, \$150.

# omega.co.uk<sup>®</sup>

Your One-Stop Source for Process Measurement and Control!

Freephone 0800 488 488 | International +44(0) 161 777 6622 | Fax +44(0) 161 777 6622 | Sales@omega.co.uk

[www.omega.co.uk](http://www.omega.co.uk)



#### UNITED STATES

[www.omega.com](http://www.omega.com)

1-800-TC-OMEGA  
Stamford, CT.

#### CANADA

[www.omega.ca](http://www.omega.ca)

Laval(Quebec)  
1-800-TC-OMEGA

#### GERMANY

[www.omega.de](http://www.omega.de)

Deckenfronn, Germany  
0800-8266342

#### UNITED KINGDOM

[www.omega.co.uk](http://www.omega.co.uk)

Manchester, England  
0800-488-488  
+44-(0)161-777-6611

#### FRANCE

[www.omega.fr](http://www.omega.fr)

0800-466-342

#### BENELUX

[www.omega.nl](http://www.omega.nl)

0800-099-33-44



## More than 100,000 Products Available!

### • Temperature

Calibrators, Connectors, General Test and Measurement Instruments, Handheld Instruments for Temperature Measurement, Ice Point References, Indicating Labels, Crayons, Cements and Lacquers, Infrared Temperature Measurement Instruments, Recorders, Relative Humidity Measurement Instruments, PT100 Probes, PT100 Elements, Temperature & Process Meters, Timers and Counters, Temperature and Process Controllers and Power Switching Devices, Thermistor Elements, Probes and Assemblies, Thermocouples, Thermowells and Head and Well Assemblies, Transmitters, Thermocouple Wire, RTD Probes

### • Flow and Level

Air Velocity Indicators, Doppler Flowmeters, Level Measurement, Magnetic Flowmeters, Mass Flowmeters, Pitot Tubes, Pumps, Rotameters, Turbine and Paddle Wheel Flowmeters, Ultrasonic Flowmeters, Valves, Variable Area Flowmeters, Vortex Shedding Flowmeters

### • pH and Conductivity

Conductivity Instrumentation, Dissolved Oxygen Instrumentation, Environmental Instrumentation, pH Electrodes and Instruments, Water and Soil Analysis Instrumentation

### • Data Acquisition

Communication Products and Converters, Data Acquisition and Analysis Software, Data Loggers Plug-in Cards, Signal Conditioners, USB, RS232, RS485, Ethernet and Parallel Port Data Acquisition Systems, Wireless Transmitters and Receivers

### • Pressure, Strain and Force

Displacement Transducers, Dynamic Measurement Force Sensors, Instrumentation for Pressure and Strain Measurements, Load Cells, Pressure Gauges, Pressure Reference Section, Pressure Switches, Pressure Transducers, Proximity Transducers, Regulators, Pressure Transmitters, Strain Gauges, Torque Transducers, Valves

### • Heaters

Band Heaters, Cartridge Heaters, Circulation Heaters, Comfort Heaters, Controllers, Meters and Switching Devices, Flexible Heaters, General Test and Measurement Instruments, Heater Hook-up Wire, Heating Cable Systems, Immersion Heaters, Process Air and Duct, Heaters, Radiant Heaters, Strip Heaters, Tubular Heaters