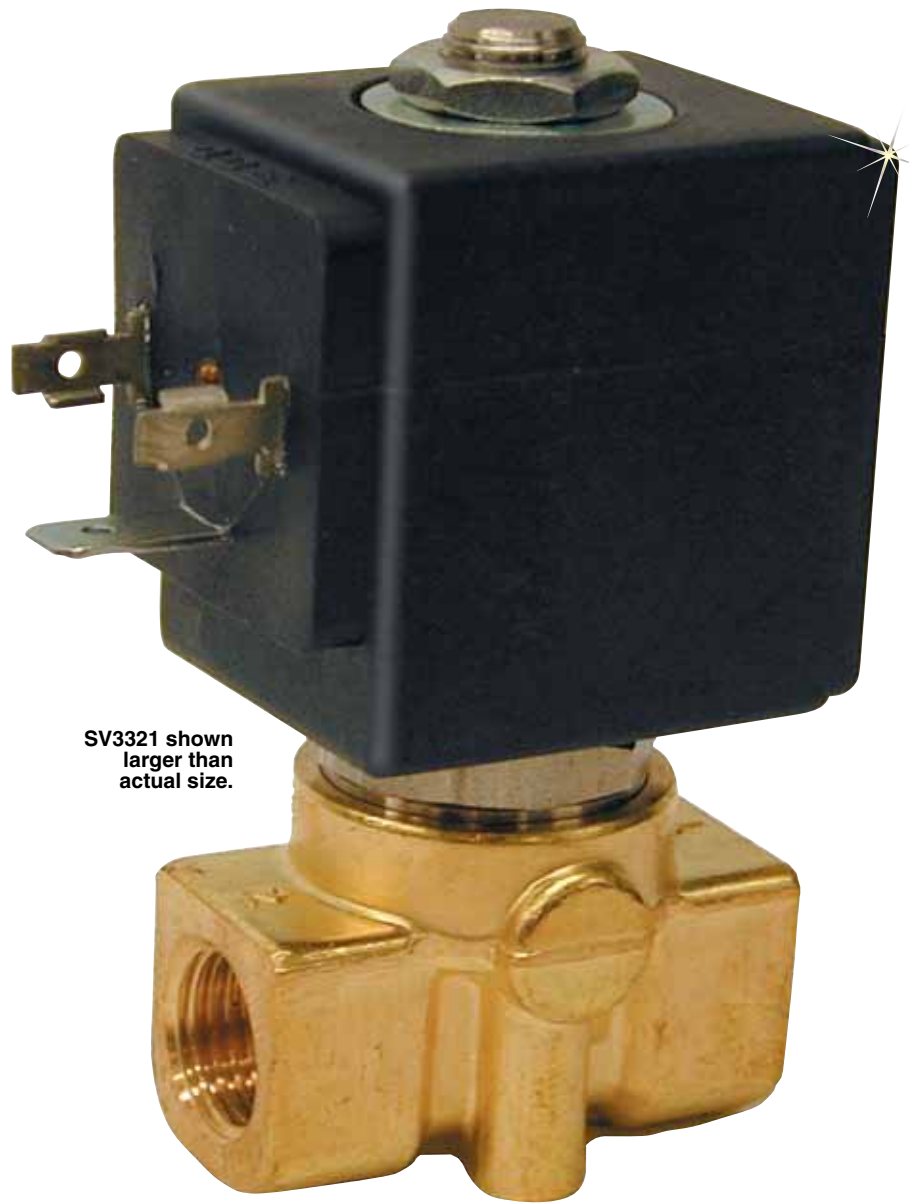


# OMEGA-FLO® 2-WAY HIGH PRESSURE SOLENOID VALVES

SV3321



- ✓ Ideal for Compressed Air, Inert Gas, Water and Synthetic Oils
- ✓ Maximum Pressure 1450 psi (100 bar)
- ✓ Process Temperature to 182°C (360°F)
- ✓ 8 W, AC Coils Standard, 12 Coil Available



SV3321 shown larger than actual size.

SV-3321 Series 2-way solenoid valves are high pressure direct-acting valves featuring brass, stainless steel construction and PTFE seal material. The temperature range from -23 to 182°C (-10 to 360°F) is ideal for neutral media such as compressed air, inert gases, water, and synthetic oils. A strain-relief connector is supplied with each unit. A 1/2" conduit plug is also available.

## SPECIFICATIONS

**Mounting Position:** Any (preferably with solenoid system upright)

**Maximum Process Temperature:** 182°C (360°F)

**Maximum Ambient Temperature:** Coil dependent (See ratings on coils)

**Voltage Tolerance:** ±10%

**Opening Time (msec):** @ 10 to 20

**Closing Time (msec):** @ 20 to 30

**Cycling Rate:** Approximately 1000 cpm

**Duty Cycle:** Continuous (100%)

**Coil Molding Material:**

**Black Polyester (Class F):**  
SV8COIL-115AC

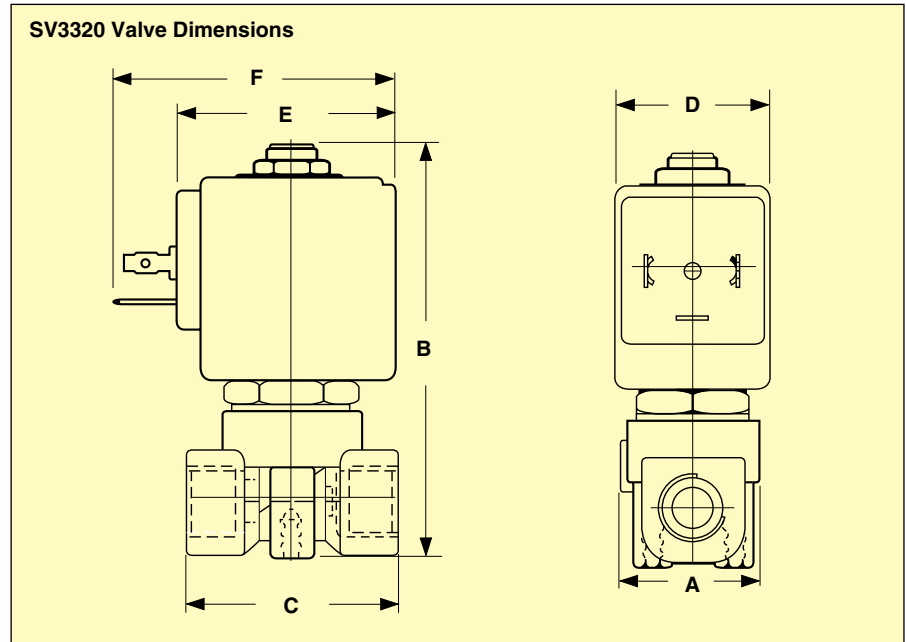
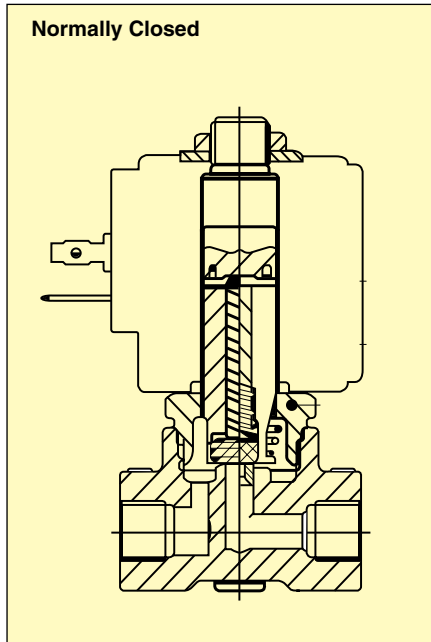
**Black Polyamide (Class F):**  
SV12COIL-120/60Hz

### Materials of Construction

Materials of Construction	
Body	Brass
Armature Tube	Stainless Steel 300
Fixed Core	Stainless Steel 400
Plunger	Stainless Steel 400
Spring	Stainless Steel 300
Shading Ring	Copper
Orifice	Stainless Steel 300
Sealing Material	PTFE

### Coil Specifications

Coil	Inrush VA	Holding VA
8 W	25	14
12 W	36	23



Connection	Watt	Valve Dimensions (inches)			Coil Dimensions (inches)		
		A	B	C	D	E	F
1/4 NPT	8	1 <sup>3</sup> / <sub>32</sub>	3 <sup>1</sup> / <sub>16</sub>	1 <sup>5</sup> / <sub>8</sub>	1 <sup>3</sup> / <sub>16</sub>	1 <sup>2</sup> / <sub>32</sub>	2 <sup>1</sup> / <sub>8</sub>
	12				1 <sup>7</sup> / <sub>16</sub>	1 <sup>29</sup> / <sub>32</sub>	2 <sup>3</sup> / <sub>8</sub>

**To Order**

Model No.	Pipe Size	Orifice Size	Cv flow factor	Coil Watts	Minimum psi	Maximum Operating psi Differential	
						AC	DC
SV3321	1/4"	3/64"	0.07	8W	0	1450	1300
				12W	0	1450	1450

**Accessories**

Model No.	Description
<b>Connectors</b>	
SV-CGC	Replacement cable grip connector
SV-CC	1/2" conduit connector
<b>Coils</b>	
SV8COIL-115AC	Replacement 8 W coil for 110 to 120 Vac/50 to 60 Hz 154°C (310°F) (Class F)
SV8COIL-12DC	8 W coil for 12 Vdc 154°C (310°F) (Class F)
SV8COIL-24DC	8 W coil for 24 Vdc 154°C (310°F) (Class F)
SV8COIL-24AC/60HZ	8 W coil for 24 Vac/50 to 60Hz 182°C (360°F) (Class F)
SV8COIL-220AC	8 W coil for 220 to 240 Vac/50 to 60 Hz 154°C (310°F) (Class F)
SV8COIL-115/60HZ	8 W coil for 115 Vac/60 Hz 182°C (360°F) (Class H)
SV12COIL-120/60HZ	12 W coil for 120 Vac/60 Hz 154°C (310°F) (Class F)
SV12COIL-12DC	12 W coil for 12 Vdc 154°C (310°F) (Class F)
SV12COIL-24DC	12 W coil for 24 Vdc 154°C (310°F) (Class F)

Comes complete with operator's manual, 8 W coil and cable grip connector.

**Ordering Examples:** SV3321, high pressure solenoid valve 1/4 NPT with SV12COIL-120/60HZ, 120V, 12 watt coil.

# omega.co.uk<sup>®</sup>

Your One-Stop Source for Process Measurement and Control!

Freephone 0800 488 488 | International +44(0) 161 777 6622 | Fax +44(0) 161 777 6622 | Sales@omega.co.uk

[www.omega.co.uk](http://www.omega.co.uk)



#### UNITED STATES

[www.omega.com](http://www.omega.com)

1-800-TC-OMEGA  
Stamford, CT.

#### UNITED KINGDOM

[www.omega.co.uk](http://www.omega.co.uk)

Manchester, England  
0800-488-488  
+44-(0)161-777-6611

#### CANADA

[www.omega.ca](http://www.omega.ca)

Laval(Quebec)  
1-800-TC-OMEGA

#### FRANCE

[www.omega.fr](http://www.omega.fr)

0800-466-342

#### GERMANY

[www.omega.de](http://www.omega.de)

Deckenfronn, Germany  
0800-8266342

#### BENELUX

[www.omega.nl](http://www.omega.nl)

0800-099-33-44



## More than 100,000 Products Available!

### • Temperature

Calibrators, Connectors, General Test and Measurement Instruments, Handheld Instruments for Temperature Measurement, Ice Point References, Indicating Labels, Crayons, Cements and Lacquers, Infrared Temperature Measurement Instruments, Recorders, Relative Humidity Measurement Instruments, PT100 Probes, PT100 Elements, Temperature & Process Meters, Timers and Counters, Temperature and Process Controllers and Power Switching Devices, Thermistor Elements, Probes and Assemblies, Thermocouples, Thermowells and Head and Well Assemblies, Transmitters, Thermocouple Wire, RTD Probes

### • Flow and Level

Air Velocity Indicators, Doppler Flowmeters, Level Measurement, Magnetic Flowmeters, Mass Flowmeters, Pitot Tubes, Pumps, Rotameters, Turbine and Paddle Wheel Flowmeters, Ultrasonic Flowmeters, Valves, Variable Area Flowmeters, Vortex Shedding Flowmeters

### • pH and Conductivity

Conductivity Instrumentation, Dissolved Oxygen Instrumentation, Environmental Instrumentation, pH Electrodes and Instruments, Water and Soil Analysis Instrumentation

### • Data Acquisition

Communication Products and Converters, Data Acquisition and Analysis Software, Data Loggers Plug-in Cards, Signal Conditioners, USB, RS232, RS485, Ethernet and Parallel Port Data Acquisition Systems, Wireless Transmitters and Receivers

### • Pressure, Strain and Force

Displacement Transducers, Dynamic Measurement Force Sensors, Instrumentation for Pressure and Strain Measurements, Load Cells, Pressure Gauges, Pressure Reference Section, Pressure Switches, Pressure Transducers, Proximity Transducers, Regulators, Pressure Transmitters, Strain Gauges, Torque Transducers, Valves

### • Heaters

Band Heaters, Cartridge Heaters, Circulation Heaters, Comfort Heaters, Controllers, Meters and Switching Devices, Flexible Heaters, General Test and Measurement Instruments, Heater Hook-up Wire, Heating Cable Systems, Immersion Heaters, Process Air and Duct, Heaters, Radiant Heaters, Strip Heaters, Tubular Heaters