



# HIGH TEMPERATURE GAS APPLICATIONS TO 1200°F

## GCHIS, GCHISB & GCHISR Series

Basic Unit  
£4085

To Order (Specify Model Number)

**MOST POPULAR  
ITEMS HIGHLIGHTED**

kW	Volts	Ckt & Phase	Dimensions (In.)			Model No.	Price	Wt. (Lb.)
			A	B	C			
<b>Series 03 — 3 inch, 150 lb 304 stainless steel vessel — 3 INCOLOY elements (15 W/in<sup>2</sup>) with side mounted thermostat (200 to 550°F) — 1" NPT pipe inlet and outlet<sup>1</sup></b>								
2	240	1-3	33 $\frac{3}{4}$	22 $\frac{1}{2}$	16 $\frac{1}{2}$	GCHISR-03-002P-E1/240*	£4,085	62
2	480	1-3	33 $\frac{3}{4}$	22 $\frac{1}{2}$	16 $\frac{1}{2}$	GCHISR-03-002P-E1/480*	4,085	62
4	240	1-3	55 $\frac{3}{4}$	45	36	GCHISR-03-004P-E1/240*	6,065	94
4	480	1-3	55 $\frac{3}{4}$	45	36	GCHISR-03-004P-E1/480*	6,065	94
<b>Series 06 — 5 inch, 150 lb 304 stainless steel vessel — 6 INCOLOY elements (15 W/in<sup>2</sup>) with side mounted thermostat (200 to 550°F) — 2" NPT pipe inlet and outlet<sup>1</sup></b>								
4	240	1-3	41 $\frac{3}{4}$	30	11 $\frac{1}{2}$	GCHISR-06-004P-E1/240*	8,075	135
4	480	1-3	41 $\frac{3}{4}$	30	11 $\frac{1}{2}$	GCHISR-06-004P-E1/480*	8,075	135
8	240	1-3	48 $\frac{3}{4}$	37	14 $\frac{7}{8}$	GCHISR-06-008P-E1/240*	9,550	164
8	480	1-3	48 $\frac{3}{4}$	37	14 $\frac{7}{8}$	GCHISR-06-008P-E1/480*	9,550	164
12	240	1-3	60 $\frac{3}{4}$	48 $\frac{1}{2}$	20 $\frac{3}{4}$	GCHISR-06-012P-E1/240*	11,690	195
12	480	1-3	60 $\frac{3}{4}$	48 $\frac{1}{2}$	20 $\frac{3}{4}$	GCHISR-06-012P-E1/480*	11,690	195
15	240	1-3	73 $\frac{3}{4}$	61 $\frac{7}{8}$	27 $\frac{1}{8}$	GCHISR-06-015P-E1/240*	14,070	215
15	480	1-3	73 $\frac{3}{4}$	61 $\frac{7}{8}$	27 $\frac{1}{8}$	GCHISR-06-015P-E1/480*	14,070	215
20	240	1-3	86 $\frac{3}{4}$	74 $\frac{7}{8}$	33 $\frac{3}{8}$	GCHISR-06-020P-E1/240*	16,480	253
20	480	1-3	86 $\frac{3}{4}$	74 $\frac{7}{8}$	33 $\frac{3}{8}$	GCHISR-06-020P-E1/480*	16,480	253
<b>Series 06 — 5 inch, 150 lb 304 stainless steel vessel — 6 INCOLOY elements (23 W/in<sup>2</sup>) with side mounted thermostat (200 to 550°F) — 2" NPT pipe inlet and outlet<sup>1</sup></b>								
25	240	2-3	73 $\frac{3}{4}$	61 $\frac{7}{8}$	27 $\frac{1}{8}$	GCHIS-06-025P-E1/240*	14,170	195
25	480	1-3	73 $\frac{3}{4}$	61 $\frac{7}{8}$	27 $\frac{1}{8}$	GCHIS-06-025P-E1/480*	14,170	195
30	240	2-3	86 $\frac{3}{4}$	74 $\frac{7}{8}$	33 $\frac{3}{8}$	GCHIS-06-030P-E1/240*	16,550	240
30	480	1-3	86 $\frac{3}{4}$	74 $\frac{7}{8}$	33 $\frac{3}{8}$	GCHIS-06-030P-E1/480*	16,550	240
<b>Series 18 — 8 inch, 150 lb 304 stainless steel vessel — 18 baffled INCOLOY elements<sup>1</sup> (23 W/in<sup>2</sup>)</b>								
30	240	3-3	50 $\frac{1}{2}$	28 $\frac{1}{2}$	25	GCHISB-18-030P-E1/240*	16,080	340
30	480	3-3	50 $\frac{1}{2}$	28 $\frac{1}{2}$	25	GCHISB-18-030P-E1/480*	16,080	340
40	240	3-3	54 $\frac{3}{8}$	32 $\frac{11}{16}$	29 $\frac{3}{8}$	GCHISB-18-040P-E1/240*	17,720	410
40	480	3-3	54 $\frac{3}{8}$	32 $\frac{11}{16}$	29 $\frac{3}{8}$	GCHISB-18-040P-E1/480*	17,720	410
50	240	3-3	61 $\frac{1}{8}$	39 $\frac{11}{16}$	36 $\frac{3}{8}$	GCHISB-18-050P-E1/240*	20,370	480
50	480	3-3	61 $\frac{1}{8}$	39 $\frac{11}{16}$	36 $\frac{3}{8}$	GCHISB-18-050P-E1/480*	20,370	480
<b>Series 27 — 10 inch, 150 lb stainless steel vessel — 27 INCOLOY elements<sup>1</sup> (20 W/in<sup>2</sup>)</b>								
50	240	3-3	56 $\frac{3}{8}$	31	27 $\frac{1}{2}$	GCHIS-27-050P-E1/240*	23,180	340
50	480	3-3	56 $\frac{3}{8}$	31	27 $\frac{1}{2}$	GCHIS-27-050P-E1/480*	23,180	340
60	240	3-3	62 $\frac{3}{8}$	37	33 $\frac{1}{2}$	GCHIS-27-060P-E1/240*	26,400	370
60	480	3-3	62 $\frac{3}{8}$	37	33 $\frac{1}{2}$	GCHIS-27-060P-E1/480*	26,400	370
70	240	3-3	68 $\frac{3}{8}$	43	39 $\frac{1}{2}$	GCHIS-27-070P-E1/240*	29,650	400
70	480	3-3	68 $\frac{3}{8}$	43	39 $\frac{1}{2}$	GCHIS-27-070P-E1/480*	29,650	400
80	240	3-3	75 $\frac{3}{8}$	50	46 $\frac{1}{2}$	GCHIS-27-080P-E1/240*	33,435	430
80	480	3-3	75 $\frac{3}{8}$	50	46 $\frac{1}{2}$	GCHIS-27-080P-E1/480*	33,435	430
90	240	3-3	81 $\frac{3}{8}$	56	52 $\frac{1}{2}$	GCHIS-27-090P-E1/240*	36,685	543
90	480	3-3	81 $\frac{3}{8}$	56	52 $\frac{1}{2}$	GCHIS-27-090P-E1/480*	36,685	560

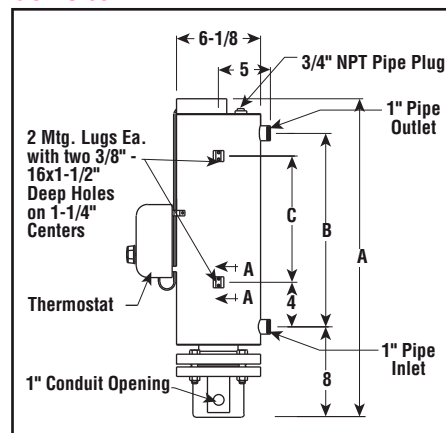
\*To Order — Add phase suffix /1P, /2P or /3P to model number.

Ordering Example: GCHISB-18-030P-E1/240/3P is a series 18, 8-inch, 150 lb., 3-phase, 240 Volt unit, £16,080.

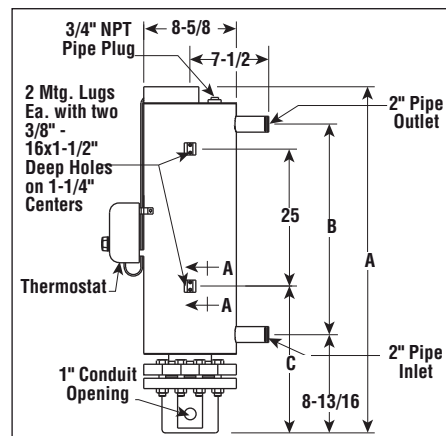
1. Recommended temperature limits for all GCH heaters with stainless steel vessels and INCOLOY elements are 1600° F maximum for the sheath temperature and 1200° F maximum for the vessel temperature at 5 psi maximum pressure. Exceeding these recommendations will void the factory warranty. Outlet gas temperatures must be kept below both the maximum sheath and vessel temperatures or element and vessel damage may occur.

Other Note — Refer to the Controls section for side mounted controls or control panels.

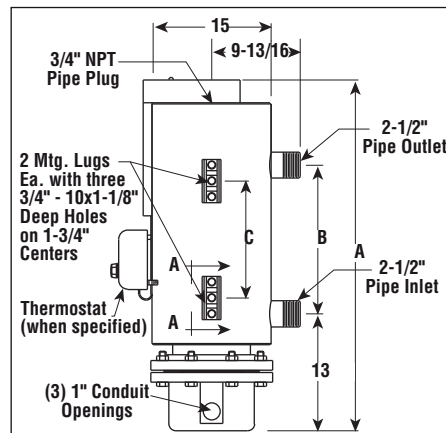
Dimensions (Inches)  
GCHIS-03



GCHIS-06



GCHISB-18



# HIGH TEMPERATURE GAS APPLICATIONS TO 1200°F

## GCHIS, GCHISB & GCHISR Series



### To Order (Specify Model Number)

kW	Volts	Ckt & Phase	Dimensions (In.)					Model No.	Price	Wt. (Lbs.)
			A	B	C	D	E			
Series 45 — 14 inch, 150 lb stainless steel vessel — 45 INCOLOY elements <sup>1</sup> (15 W/In <sup>2</sup> )										
90	480	3-3	76	57 <sup>1</sup> / <sub>16</sub>	66 <sup>1</sup> / <sub>16</sub>	15	11 <sup>1</sup> / <sub>2</sub>	GCHIS-45-090P-E1/90	P.O.A	925
125	480	3-3	91	72 <sup>3</sup> / <sub>16</sub>	81 <sup>1</sup> / <sub>16</sub>	15	11 <sup>1</sup> / <sub>2</sub>	GCHIS-45-125P-E1/125	P.O.A	1025
150	480	3-3	106	87 <sup>1</sup> / <sub>16</sub>	96 <sup>1</sup> / <sub>16</sub>	15	11 <sup>1</sup> / <sub>2</sub>	GCHIS-45-150P-E1/150	P.O.A	1125
175	480	3-3	121	102 <sup>3</sup> / <sub>16</sub>	111 <sup>1</sup> / <sub>16</sub>	15	11 <sup>1</sup> / <sub>2</sub>	GCHIS-45-175P-E1/175	P.O.A	1225
200	480	3-3	128 <sup>1</sup> / <sub>2</sub>	109 <sup>1</sup> / <sub>16</sub>	119 <sup>1</sup> / <sub>16</sub>	15	11 <sup>1</sup> / <sub>2</sub>	GCHIS-45-200P-E1/200	P.O.A	1325

1. Recommended temperature limits for all GCH heaters with stainless steel vessels and INCOLOY elements are 1600°F maximum for the sheath temperature and 1200°F maximum for the vessel temperature at 5 psi pressure maximum. Exceeding these recommendations will void the factory warranty. Outlet gas temperatures must be kept below both the maximum sheath and vessel temperature or element and vessel damage may occur.

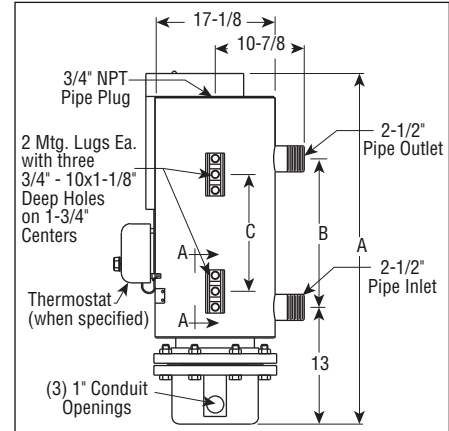
**Other Note** — Refer to the Controls section for side mounted controls or control panels.

### Ordering Information

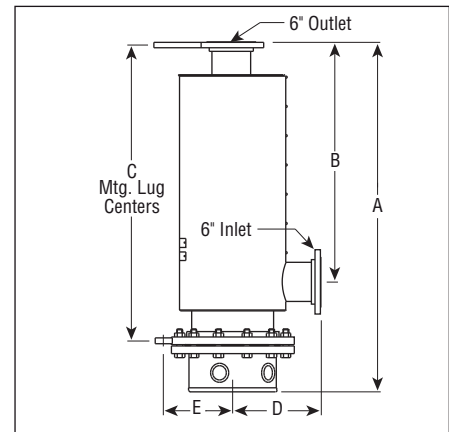
To Order: Complete the Model Number using the Matrix provided

Model	High Temperature Gas to 1200°F <sup>1</sup>				
GCHIS	Gas Circulation Heater INCOLOY Elements — Stainless Steel Vessel Internal Baffles				
B	Code	Number of Elements			
	03	Three			
	06	Six			
	18	Eighteen			
	27	Twenty Seven			
	45	Forty Five			
	Code	kW			
	002P	2	050P	50	
	004P	4	060P	60	
	008P	8	070P	70	
	012P	12	075P	75	
	015P	15	080P	80	
	020P	20	090P	90	
	025P	25	125P	125	
	030P	30	175P	175	
	040P	40	200P	200	
	Code	Terminal Enclosure			
	E1	General Purpose			
	E2	Moisture Resistant/Explosion Resistant			
	E3	Explosion Resistant			
	E4	Moisture Resistant			
GCHIS	18	030P	E1	Typical Model Number	

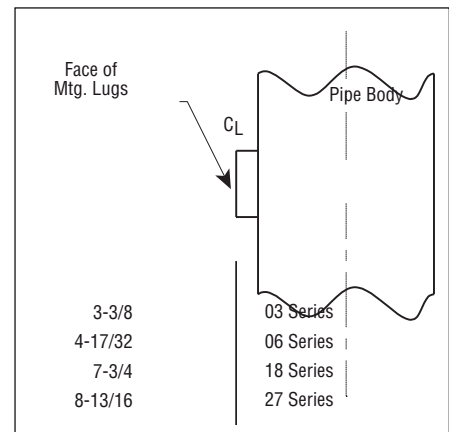
### Dimensions (Inches) GCHIS-27



### GCHIS-45



### GCHIS-AA



# omega.co.uk<sup>®</sup>

Your One-Stop Source for Process Measurement and Control!

Freephone 0800 488 488 | International +44(0) 161 777 6622 | Fax +44(0) 161 777 6622 | Sales@omega.co.uk

[www.omega.co.uk](http://www.omega.co.uk)



#### UNITED STATES

[www.omega.com](http://www.omega.com)

1-800-TC-OMEGA  
Stamford, CT.

#### UNITED KINGDOM

[www.omega.co.uk](http://www.omega.co.uk)

Manchester, England  
0800-488-488  
+44-(0)161-777-6611

#### CANADA

[www.omega.ca](http://www.omega.ca)

Laval(Quebec)  
1-800-TC-OMEGA

#### FRANCE

[www.omega.fr](http://www.omega.fr)

0800-466-342

#### GERMANY

[www.omega.de](http://www.omega.de)

Deckenfronn, Germany  
0800-8266342

#### BENELUX

[www.omega.nl](http://www.omega.nl)

0800-099-33-44



## More than 100,000 Products Available!

### • Temperature

Calibrators, Connectors, General Test and Measurement Instruments, Handheld Instruments for Temperature Measurement, Ice Point References, Indicating Labels, Crayons, Cements and Lacquers, Infrared Temperature Measurement Instruments, Recorders, Relative Humidity Measurement Instruments, PT100 Probes, PT100 Elements, Temperature & Process Meters, Timers and Counters, Temperature and Process Controllers and Power Switching Devices, Thermistor Elements, Probes and Assemblies, Thermocouples, Thermowells and Head and Well Assemblies, Transmitters, Thermocouple Wire, RTD Probes

### • Flow and Level

Air Velocity Indicators, Doppler Flowmeters, Level Measurement, Magnetic Flowmeters, Mass Flowmeters, Pitot Tubes, Pumps, Rotameters, Turbine and Paddle Wheel Flowmeters, Ultrasonic Flowmeters, Valves, Variable Area Flowmeters, Vortex Shedding Flowmeters

### • pH and Conductivity

Conductivity Instrumentation, Dissolved Oxygen Instrumentation, Environmental Instrumentation, pH Electrodes and Instruments, Water and Soil Analysis Instrumentation

### • Data Acquisition

Communication Products and Converters, Data Acquisition and Analysis Software, Data Loggers Plug-in Cards, Signal Conditioners, USB, RS232, RS485, Ethernet and Parallel Port Data Acquisition Systems, Wireless Transmitters and Receivers

### • Pressure, Strain and Force

Displacement Transducers, Dynamic Measurement Force Sensors, Instrumentation for Pressure and Strain Measurements, Load Cells, Pressure Gauges, Pressure Reference Section, Pressure Switches, Pressure Transducers, Proximity Transducers, Regulators, Pressure Transmitters, Strain Gauges, Torque Transducers, Valves

### • Heaters

Band Heaters, Cartridge Heaters, Circulation Heaters, Comfort Heaters, Controllers, Meters and Switching Devices, Flexible Heaters, General Test and Measurement Instruments, Heater Hook-up Wire, Heating Cable Systems, Immersion Heaters, Process Air and Duct, Heaters, Radiant Heaters, Strip Heaters, Tubular Heaters