

OVER-THE-SIDE IMMERSION HEATERS

for Drum Heating



KBLC & KBLS Series

- ✓ Low Watt Density: 11 W/in²
- ✓ Moisture Resistant Terminal Enclosure
- ✓ Rugged Steel or Stainless Steel Sheathed Elements
- ✓ 2.2 and 4.4 kW, 240 V, 1 Phase
- ✓ Built-in Thermostat on Most Models

APPLICATIONS

- ✓ Melting Wax
- ✓ Melting Lard
- ✓ Melting Grease
- ✓ Melting Coconut Oil and Other Heat Sensitive Materials.

FEATURES

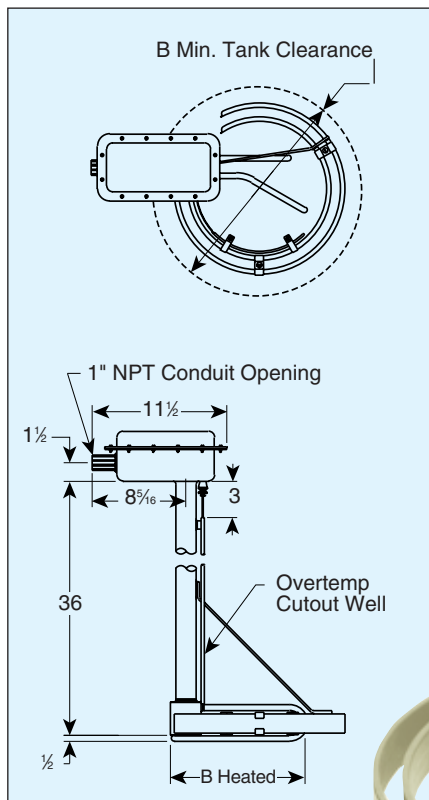
Light weight and easy to use. Heater is set atop the mass and then melts its way to the bottom.

Steel terminal housing protected by acid and heat resistant paint.

Standard with built-in controls on most models.

Three temperature ranges:

- ✓ T1 — 0 to 100°F
- ✓ T2 — 60 to 250°F
- ✓ T3 — 200 to 550°F



To Order (Specify Model Number)

| kW | Volts | W/in ² | Dimension In. | | AR Thermostat Range °F | Model No. | Price | Wt. lb. |
|---|-------|-------------------|---------------|-------------------------|------------------------|-------------------|--------------|---------|
| | | | Riser In. (A) | Min. Tank Clearance (B) | | | | |
| KBLC Series — Steel Sheath and Riser | | | | | | | | |
| 2.2 | 240 | 11 | 36 | 12% | — | KBLC-24 | \$798 | 14 |
| 2.2 | 240 | 11 | 36 | 12% | 60 to 250°F | KBLC-24T2 | 1020 | 14 |
| 2.2 | 240 | 11 | 36 | 12% | 200 to 550°F | KBLC-24T3 | 1020 | 14 |
| 4.4 | 240 | 11 | 36 | 17% | — | KBLC-28 | 922 | 18 |
| 4.4 | 240 | 11 | 36 | 17% | 60 to 250°F | KBLC-28T2 | 1180 | 18 |
| 4.4 | 240 | 11 | 36 | 17% | 200 to 550°F | KBLC-28T3 | 1180 | 18 |
| KBLS Series — Stainless Steel Sheath and Riser | | | | | | | | |
| 2.2 | 240 | 11 | 36 | 12% | — | KBLS-244 | 1095 | 14 |
| 2.2 | 240 | 11 | 36 | 12% | 0-100°F | KBLS-244T1 | 1462 | 14 |
| 2.2 | 240 | 11 | 36 | 12% | 60 to 250°F | KBLS-244T2 | 1462 | 14 |
| 2.2 | 240 | 11 | 36 | 12% | 200 to 550°F | KBLS-244T3 | 1462 | 14 |
| 4.4 | 240 | 11 | 36 | 17% | — | KBLS-288 | 1302 | 18 |
| 4.4 | 240 | 11 | 36 | 17% | 0-100°F | KBLS-288T1 | 1674 | 18 |
| 4.4 | 240 | 11 | 36 | 17% | 60 to 250°F | KBLS-288T2 | 1674 | 18 |
| 4.4 | 240 | 11 | 36 | 17% | 200 to 550°F | KBLS-288T3 | 1674 | 18 |

Ordering Example: *KBLS-288T2*, Stainless steel sheath and riser model, 4.4 kW, 240 volt powered with internal thermostat settable from 60 to 250°F, **\$1674**.

OVER-THE-SIDE IMMERSION HEATERS

for Salt Bath Heating



TBL Series

- ✓ 3 to 7.5 kW
- ✓ 240 & 480 V, 1 Phase
- ✓ Steel or Incoloy Sheath
- ✓ 20 W/in²

APPLICATIONS

- ✓ Primarily for use in salt baths.
- ✓ Available in other sheath

To Order (Specify Model Number)

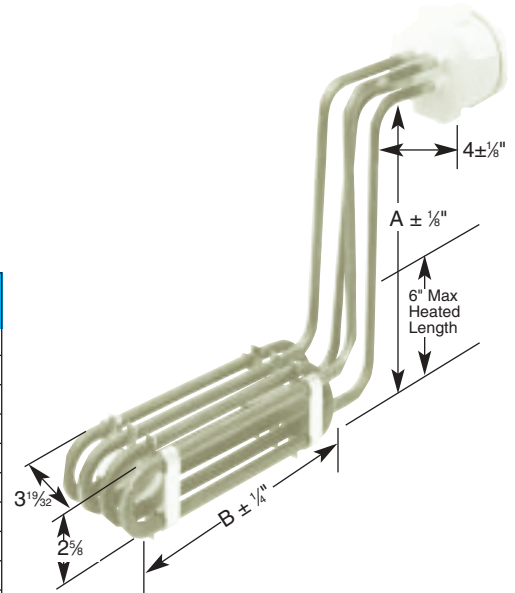
| kW | Phase | W/in ² | Dimensions—Inches | | Model No. | Price | Wt. lb. |
|--|-------|-------------------|-------------------|-------------------|-------------|--------|---------|
| | | | A | B | | | |
| Steel Sheath Elements — 20 W/in² | | | | | | | |
| 3 | 1 | 20 | 11 $\frac{1}{8}$ | 13 $\frac{3}{8}$ | TBL-1301/* | \$916 | 18 |
| 4.5 | 1 | 20 | 11 $\frac{1}{8}$ | 15 | TBL-4501/* | 950 | 21 |
| 6 | 1 | 20 | 11 $\frac{1}{8}$ | 20 $\frac{5}{16}$ | TBL-6001/* | 1046 | 27 |
| 7.5 | 1 | 20 | 14 $\frac{5}{16}$ | 25 $\frac{5}{16}$ | TBL-7501/* | 1127 | 35 |
| Incoloy Sheath Elements — 20 W/in² | | | | | | | |
| 3 | 1 | 20 | 11 $\frac{1}{8}$ | 13 $\frac{3}{8}$ | TBL-A-131/* | \$1194 | 18 |
| 4.5 | 1 | 20 | 11 $\frac{1}{8}$ | 15 | TBL-A-451/* | 1260 | 21 |
| 6 | 1 | 20 | 11 $\frac{1}{8}$ | 20 $\frac{5}{16}$ | TBL-A-601/* | 1424 | 27 |
| 7.5 | 1 | 20 | 14 $\frac{5}{16}$ | 25 $\frac{5}{16}$ | TBL-A-751/* | 1534 | 35 |

materials and watt densities for most liquids and viscous materials. Contact OMEGALUX.

FEATURES

Vapor resistant cast iron terminal box for dependable service.

Optional features include special voltage or wattage, $\frac{3}{4}$ " factory installed sludge legs, special riser height. Contact OMEGALUX.



* Designate voltage, i.e. insert 240 for 240 V or 480 for 480 V. **Ordering Example:** Model TBL-1301/240 is a 3 kW heater powered by 240 VAC, \$916.

for Deep Tank Heating

- BLCS Series with Straight Blades
- BLCK-MH Series with Circular Blades
- ✓ 7.5 to 24 kW
- ✓ 240 & 480 V, 1 or 3 Phase

APPLICATIONS

- ✓ Underground Tanks
- ✓ Railroad Tank Cars
- ✓ Oil
- ✓ Asphalt
- ✓ High Viscosity Fluids

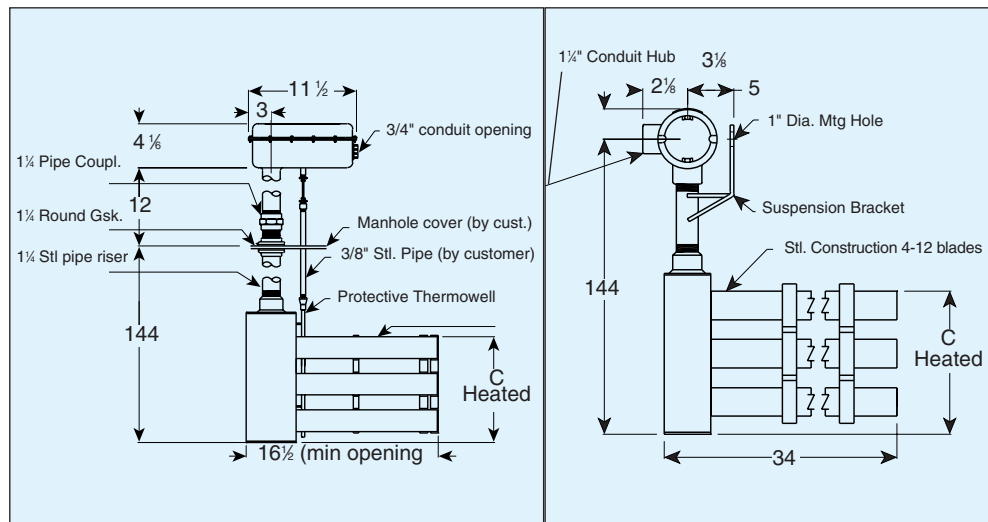
FEATURES

Integral thermostat on BLCK-MH, 50-250°F, inside weather resistant steel terminal box

4 to 12 Circular blades on BLCK-MH permit entry into tanks with 16 $\frac{1}{2}$ " diameter opening. Split riser adapts to manhole covers.

4 to 12 Circular blades on BLCS require manhole access that will accept 34" blade length. One-piece riser.

1 $\frac{1}{4}$ inch steel pipe riser, 12 ft. std. length



To Order (Specify Model Number)

| kW | Dimensions | | With Circular Blades Model No. | Price | With Straight Blades Model No. | Price | Wt. lb. |
|--|------------|------------------|--------------------------------|--------|--------------------------------|--------|---------|
| | A (ft.) | C (in) | | | | | |
| Regular Oil — 18 W/in² | | | | | | | |
| 12 | 12 | 8 $\frac{7}{8}$ | BLCK-MH618/240/* | \$3504 | BLCS-618/240/* | \$2919 | 42 |
| 12 | 12 | 8 $\frac{7}{8}$ | BLCK-MH618/480/* | | BLCS-618/480/* | | 42 |
| 16 | 12 | 12 | BLCK-MH824/240/* | 4031 | BLCS-824/240/* | 3300 | 55 |
| 16 | 12 | 12 | BLCK-MH824/480/* | | BLCS-824/480/* | | 55 |
| 20 | 12 | 15 $\frac{1}{2}$ | BLCK-MH1030/240/3P | 4549 | BLCS-1030/240/3P | 3722 | 75 |
| 20 | 12 | 15 $\frac{1}{2}$ | BLCK-MH1030/480/* | | BLCS-1030/480/* | | 75 |
| 24 | 12 | 18 $\frac{1}{4}$ | BLCK-MH1236/240/3P | 5038 | BLCS-1236/240/3P | 4197 | 90 |
| 24 | 12 | 18 $\frac{1}{4}$ | BLCK-MH1236/480/* | | BLCS-1236/480/* | | 90 |

* Designates phase, i.e. insert 1 for 1 phase or 3 for 3 phase. Model numbers including phase are only available in that phase. **Ordering Example:** Model BLCK-MH618/240/3P is a 12 kW heater powered by 3 phase 240 VAC, \$3504. **Note:** BLCS and BLCK-MH Series heaters are also available for fuel oil with a watt density of 12 W/in². Contact OMEGALUX for details.

omega.co.uk[®]

Your One-Stop Source for Process Measurement and Control!

Freephone 0800 488 488 | International +44(0) 161 777 6622 | Fax +44(0) 161 777 6622 | Sales@omega.co.uk

www.omega.co.uk



UNITED STATES

www.omega.com

1-800-TC-OMEGA
Stamford, CT.

UNITED KINGDOM

www.omega.co.uk

Manchester, England
0800-488-488
+44-(0)161-777-6611

CANADA

www.omega.ca

Laval(Quebec)
1-800-TC-OMEGA

FRANCE

www.omega.fr

0800-466-342

GERMANY

www.omega.de

Deckenfronn, Germany
0800-8266342

BENELUX

www.omega.nl

0800-099-33-44



More than 100,000 Products Available!

• Temperature

Calibrators, Connectors, General Test and Measurement Instruments, Handheld Instruments for Temperature Measurement, Ice Point References, Indicating Labels, Crayons, Cements and Lacquers, Infrared Temperature Measurement Instruments, Recorders, Relative Humidity Measurement Instruments, PT100 Probes, PT100 Elements, Temperature & Process Meters, Timers and Counters, Temperature and Process Controllers and Power Switching Devices, Thermistor Elements, Probes and Assemblies, Thermocouples, Thermowells and Head and Well Assemblies, Transmitters, Thermocouple Wire, RTD Probes

• Flow and Level

Air Velocity Indicators, Doppler Flowmeters, Level Measurement, Magnetic Flowmeters, Mass Flowmeters, Pitot Tubes, Pumps, Rotameters, Turbine and Paddle Wheel Flowmeters, Ultrasonic Flowmeters, Valves, Variable Area Flowmeters, Vortex Shedding Flowmeters

• pH and Conductivity

Conductivity Instrumentation, Dissolved Oxygen Instrumentation, Environmental Instrumentation, pH Electrodes and Instruments, Water and Soil Analysis Instrumentation

• Data Acquisition

Communication Products and Converters, Data Acquisition and Analysis Software, Data Loggers Plug-in Cards, Signal Conditioners, USB, RS232, RS485, Ethernet and Parallel Port Data Acquisition Systems, Wireless Transmitters and Receivers

• Pressure, Strain and Force

Displacement Transducers, Dynamic Measurement Force Sensors, Instrumentation for Pressure and Strain Measurements, Load Cells, Pressure Gauges, Pressure Reference Section, Pressure Switches, Pressure Transducers, Proximity Transducers, Regulators, Pressure Transmitters, Strain Gauges, Torque Transducers, Valves

• Heaters

Band Heaters, Cartridge Heaters, Circulation Heaters, Comfort Heaters, Controllers, Meters and Switching Devices, Flexible Heaters, General Test and Measurement Instruments, Heater Hook-up Wire, Heating Cable Systems, Immersion Heaters, Process Air and Duct, Heaters, Radiant Heaters, Strip Heaters, Tubular Heaters