

# COILED FINNED ELEMENTS FOR ROUND DUCTWORK

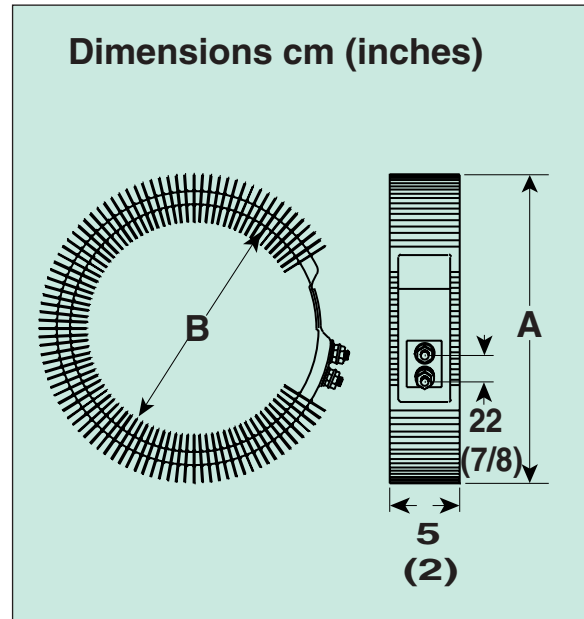


## KSEF Series

- ✓ Rugged, Reliable, Premium Quality
- ✓ Preformed Circular Finned Strip Units for Round Ducts

- ✓ 1950 to 5000 Watts
- ✓ 120 and 240 Volt Units
- ✓ Excellent Heat Transfer Capabilities

**CAUTION AND WARNING!**  
Fire and electrical shock may result if products are used improperly or installed or used by non-qualified personnel. See inside back cover for additional warnings.



### FEATURES

**KSEF Series is open construction;** requires mounting brackets to be fabricated by user.

**Elements may be nested** inside of each other, with adequate clearance.

**Controls.** For thermostatic control (AR thermostat) and overheat protection (Type ARC), see Controls Section P.

**Alloy wire or bus bar** should be used for power connections, (see Section Q)

### APPLICATION

Heating moving air or gas in a round duct.

### SPECIFICATIONS

**Sheath Material:** iron or monel

**Fin Material:** iron sheath - aluminized steel; monel sheath - monel.

**Power:** 120 or 240 Vac

### Maximum Sheath and Work Temperatures: Free Air

Iron sheath 107°C (225°F)  
Chrome-steel sheath 157°C (315°F)

### Moving Air – air velocity at 16 fps

Iron sheath 238°C (460°F)  
Chrome steel sheath 296°C (565°F)  
(See page C-21 for more details)

### To Order (Specify Model Number)

Watts	W/in <sup>2</sup>	Dimensions cm (in)		Model Number	Price	Wt. (lb)
		A	B			
<b>Type KSEF — Rust-Resistant Iron Sheath</b>						
1950	27	22.5 (8 <sup>7</sup> / <sub>8</sub> )	15.6 (6 <sup>1</sup> / <sub>8</sub> )	<b>KSEF-24</b> /*	<b>\$161</b>	3
2500	26	27.3 (10 <sup>3</sup> / <sub>4</sub> )	20.3 (8)	<b>KSEF-30</b> /*	<b>188</b>	4
3100	27	31.8 (12 <sup>1</sup> / <sub>2</sub> )	24.4 (9 <sup>3</sup> / <sub>4</sub> )	<b>KSEF-36/240</b>	<b>217</b>	5
3700	26	57.2 (14 <sup>1</sup> / <sub>2</sub> )	29.8 (11 <sup>3</sup> / <sub>4</sub> )	<b>KSEF-43/240</b>	<b>248</b>	6
<b>Type KSEF — Monel Sheath</b>						
1950	27	22.5 (8 <sup>7</sup> / <sub>8</sub> )	15.6 (6 <sup>1</sup> / <sub>8</sub> )	<b>KSEF-240M</b> /*	<b>337</b>	3
2500	26	27.3 (10 <sup>3</sup> / <sub>4</sub> )	20.3 (8)	<b>KSEF-300M</b> /*	<b>392</b>	4
3100	27	31.8 (12 <sup>1</sup> / <sub>2</sub> )	24.4 (9 <sup>3</sup> / <sub>4</sub> )	<b>KSEF-360M/240</b>	<b>447</b>	5
3700	26	57.2 (14 <sup>1</sup> / <sub>2</sub> )	29.8 (11 <sup>3</sup> / <sub>4</sub> )	<b>KSEF-430M/240</b>	<b>479</b>	6
4000	25	41.3 (16 <sup>1</sup> / <sub>4</sub> )	34.3 (13 <sup>1</sup> / <sub>2</sub> )	<b>KSEF-480M/240</b>	<b>559</b>	7
4500	25	46.4 (18 <sup>1</sup> / <sub>4</sub> )	39.4 (15 <sup>1</sup> / <sub>2</sub> )	<b>KSEF-540M/240</b>	<b>638</b>	8
5000	23	54.9 (21 <sup>5</sup> / <sub>8</sub> )	47.9 (18 <sup>7</sup> / <sub>8</sub> )	<b>KSEF-640M/240</b>	<b>1004</b>	10

/\* Specify voltage, insert 120 for 120 Vac or 240 for 240 Vac. Model numbers containing /120 or /240 are only available in that voltage.

OMEGALUX can supply other sizes and ratings. Call sales at 1-800-826-6342

# omega.co.uk<sup>®</sup>

Your One-Stop Source for Process Measurement and Control!

Freephone 0800 488 488 | International +44(0) 161 777 6622 | Fax +44(0) 161 777 6622 | Sales@omega.co.uk

[www.omega.co.uk](http://www.omega.co.uk)



#### UNITED STATES

[www.omega.com](http://www.omega.com)

1-800-TC-OMEGA  
Stamford, CT.

#### CANADA

[www.omega.ca](http://www.omega.ca)

Laval(Quebec)  
1-800-TC-OMEGA

#### GERMANY

[www.omega.de](http://www.omega.de)

Deckenfronn, Germany  
0800-8266342

#### UNITED KINGDOM

[www.omega.co.uk](http://www.omega.co.uk)

Manchester, England  
0800-488-488  
+44-(0)161-777-6611

#### FRANCE

[www.omega.fr](http://www.omega.fr)

0800-466-342

#### BENELUX

[www.omega.nl](http://www.omega.nl)

0800-099-33-44



## More than 100,000 Products Available!

### • Temperature

Calibrators, Connectors, General Test and Measurement Instruments, Handheld Instruments for Temperature Measurement, Ice Point References, Indicating Labels, Crayons, Cements and Lacquers, Infrared Temperature Measurement Instruments, Recorders, Relative Humidity Measurement Instruments, PT100 Probes, PT100 Elements, Temperature & Process Meters, Timers and Counters, Temperature and Process Controllers and Power Switching Devices, Thermistor Elements, Probes and Assemblies, Thermocouples, Thermowells and Head and Well Assemblies, Transmitters, Thermocouple Wire, RTD Probes

### • Flow and Level

Air Velocity Indicators, Doppler Flowmeters, Level Measurement, Magnetic Flowmeters, Mass Flowmeters, Pitot Tubes, Pumps, Rotameters, Turbine and Paddle Wheel Flowmeters, Ultrasonic Flowmeters, Valves, Variable Area Flowmeters, Vortex Shedding Flowmeters

### • pH and Conductivity

Conductivity Instrumentation, Dissolved Oxygen Instrumentation, Environmental Instrumentation, pH Electrodes and Instruments, Water and Soil Analysis Instrumentation

### • Data Acquisition

Communication Products and Converters, Data Acquisition and Analysis Software, Data Loggers Plug-in Cards, Signal Conditioners, USB, RS232, RS485, Ethernet and Parallel Port Data Acquisition Systems, Wireless Transmitters and Receivers

### • Pressure, Strain and Force

Displacement Transducers, Dynamic Measurement Force Sensors, Instrumentation for Pressure and Strain Measurements, Load Cells, Pressure Gauges, Pressure Reference Section, Pressure Switches, Pressure Transducers, Proximity Transducers, Regulators, Pressure Transmitters, Strain Gauges, Torque Transducers, Valves

### • Heaters

Band Heaters, Cartridge Heaters, Circulation Heaters, Comfort Heaters, Controllers, Meters and Switching Devices, Flexible Heaters, General Test and Measurement Instruments, Heater Hook-up Wire, Heating Cable Systems, Immersion Heaters, Process Air and Duct, Heaters, Radiant Heaters, Strip Heaters, Tubular Heaters