

HIGH-PERFORMANCE TRIAXIAL ACCELEROMETERS

10 mV/g OUTPUT PER AXIS

ACC301

Starts at
\$1570



Power supply
ACC-PS4, \$955.
See page K-21.



ACC301, \$1570,
shown larger
than actual size.

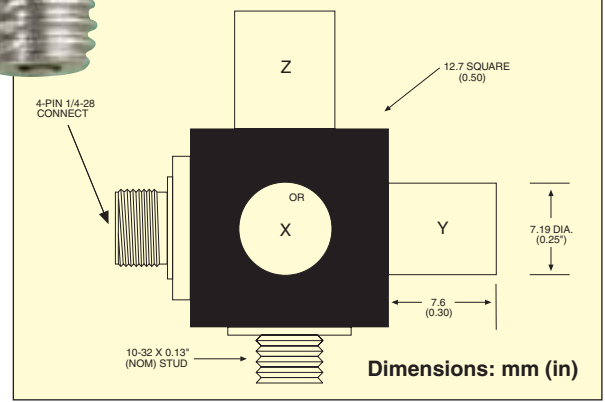
- ✓ Ideal Vibration Monitoring in 3 (X-Y-Z) Planes
- ✓ Weighs Only 10 g
- ✓ Fast Turn-On Time (1 s)

OMEGA's ACC301 triaxial accelerometer is ideal for lightweight single-point monitoring in 3 (x-y-z) planes. This accelerometer has a low noise floor and a wide frequency range of up to 10 kHz. The ACC301 weighs only 10 g, yet its titanium construction makes it very rugged.

SPECIFICATIONS

- Excitation:** 2 mA nominal @ 15 to 30 Vdc, constant current
- Rated Output:** 10 mV/g nominal @ 100 Hz per axis
- Frequency Range:** 3 Hz to 10 kHz (up to ±5 % rated output shift)
- Amplitude Range:** ±500 g peak
- Amplitude Linearity:** 2% up to 400 g peak
- Temperature Range:** -55 to 120°C (-65 to 250°F)
- Temperature Sensitivity Effect:** -54 to 38°C (-65 to 100°F) ≤5% FS; 38 to 121°C (100 to 250°F) ≤8% FS
- Thermal Shock:** 3 g/°C
- Transverse Sensitivity:** 5% of axial maximum per axis
- Maximum g Without Damage:** 5000 g peak
- Maximum g Without Clipping:** ±500 g peak
- Mounted Resonance Frequency:** >50 kHz
- Output Impedance:** 1000 Ω nominal
- Bias Voltage:** 7V nominal
- Base Strain:** 0.005 g/microstrain nominal
- Noise Floor (Wide Band):** 0.0015 g (rms)
- Weight:** 10 g (0.35 oz) nominal (without cable)

Material: Titanium
Dimensions: 19 H x 12.7 mm (0.75 x 0.5") square
Connector: 4-pin, 1/4-28 female termination, cable not included (order Model No. ACC-CB3-6)
Mounting: 10-32 removable stud
Mounting Torque Max: 22 cm-kg (20 in-lb)



MOST POPULAR MODELS HIGHLIGHTED!

| To Order (Specify Model Number) | | |
|---------------------------------|--------|---|
| MODEL NO. | PRICE | DESCRIPTION |
| ACC301 | \$1570 | Triaxial accelerometer |
| ACC-CB3-6 | 160 | 1.8 m (6') 4-conductor (male/male) required |

Note: The compatible meters are for single input only. For multichannel instrumentation, consult Omega Engineering's technical assistance team at 1-800-826-6342.

| ACCESSORIES | | |
|--|-------|--|
| MODEL NO. | PRICE | DESCRIPTION |
| MAGNET2 | \$60 | Magnetic mounting base (10 lb holding force) 19.1 Dia. x 19.1 mm high (0.75 x 0.75") |
| POWER SUPPLIES | | |
| ACC-PS4 | 955 | Triaxial accelerometer power supply |
| Interface cables used between power supply and instrumentation | | |
| ACC-CB4-15 | 65 | 4.6 m (15') coaxial cable (BNCM/BNCM) |
| ACC-CB5-2 | 25 | 0.6 m (2') coaxial cable (BNCM/banana plug) |
| ACC-CB6 | 15 | 178 mm (7") coaxial cable (BNCM/pigtail) |
| ACC-CB3-A | 37.50 | 4-pin female/female adaptor |
| ME-1708 | 160 | Handbook of Mechanical Engineering |

Note: See pages K-20 through K-22 for details on the above power supplies and cables.
Ordering Example: ACC301, accelerometer, ACC-CB3-6, coaxial cable, ACC-PS4, power supply, (3) ACC-CB6, coaxial cables, \$1570 + 160 + 955 + 45 = \$2730.

DYNAMIC MEASUREMENT

K

omega.co.uk[®]

Your One-Stop Source for Process Measurement and Control!

Freephone 0800 488 488 | International +44(0) 161 777 6622 | Fax +44(0) 161 777 6622 | Sales@omega.co.uk

www.omega.co.uk



UNITED STATES

www.omega.com

1-800-TC-OMEGA
Stamford, CT.

UNITED KINGDOM

www.omega.co.uk

Manchester, England
0800-488-488
+44-(0)161-777-6611

CANADA

www.omega.ca

Laval(Quebec)
1-800-TC-OMEGA

FRANCE

www.omega.fr

0800-466-342

GERMANY

www.omega.de

Deckenfronn, Germany
0800-8266342

BENELUX

www.omega.nl

0800-099-33-44



More than 100,000 Products Available!

• Temperature

Calibrators, Connectors, General Test and Measurement Instruments, Handheld Instruments for Temperature Measurement, Ice Point References, Indicating Labels, Crayons, Cements and Lacquers, Infrared Temperature Measurement Instruments, Recorders, Relative Humidity Measurement Instruments, PT100 Probes, PT100 Elements, Temperature & Process Meters, Timers and Counters, Temperature and Process Controllers and Power Switching Devices, Thermistor Elements, Probes and Assemblies, Thermocouples, Thermowells and Head and Well Assemblies, Transmitters, Thermocouple Wire, RTD Probes

• Flow and Level

Air Velocity Indicators, Doppler Flowmeters, Level Measurement, Magnetic Flowmeters, Mass Flowmeters, Pitot Tubes, Pumps, Rotameters, Turbine and Paddle Wheel Flowmeters, Ultrasonic Flowmeters, Valves, Variable Area Flowmeters, Vortex Shedding Flowmeters

• pH and Conductivity

Conductivity Instrumentation, Dissolved Oxygen Instrumentation, Environmental Instrumentation, pH Electrodes and Instruments, Water and Soil Analysis Instrumentation

• Data Acquisition

Communication Products and Converters, Data Acquisition and Analysis Software, Data Loggers Plug-in Cards, Signal Conditioners, USB, RS232, RS485, Ethernet and Parallel Port Data Acquisition Systems, Wireless Transmitters and Receivers

• Pressure, Strain and Force

Displacement Transducers, Dynamic Measurement Force Sensors, Instrumentation for Pressure and Strain Measurements, Load Cells, Pressure Gauges, Pressure Reference Section, Pressure Switches, Pressure Transducers, Proximity Transducers, Regulators, Pressure Transmitters, Strain Gauges, Torque Transducers, Valves

• Heaters

Band Heaters, Cartridge Heaters, Circulation Heaters, Comfort Heaters, Controllers, Meters and Switching Devices, Flexible Heaters, General Test and Measurement Instruments, Heater Hook-up Wire, Heating Cable Systems, Immersion Heaters, Process Air and Duct, Heaters, Radiant Heaters, Strip Heaters, Tubular Heaters