

# ALUMINUM "S" BEAM LOAD CELLS HIGH ACCURACY, ECONOMICAL PRICE

## LC105/LC115 Series

**LC105 (Cable Style)**  
**LC115 (Connector Style)**  
**Tension/Compression**  
**Calibrated in Tension**  
**0-25 lb to 0-1000 lb**  
**0-11 kg to 0-455 kg**



All Models  
**\$295**

- ✓ FM Intrinsically Safe
- ✓ Aluminum—for Light Weight and Durability
- ✓ 5-Point Calibration Provided (in Tension)

### SPECIFICATIONS

**Excitation:** 10 Vdc, 15 Vdc max

**Output:** 3 mV/V ±0.0075 mV/V

**Linearity:** ±0.03% FSO

**Hysteresis:** ±0.02% FSO

**Repeatability:** ±0.01% FSO

**Zero Balance:** ±1% FSO

**Agency Approval:** FM Intrinsically Safe IS/I.II.III/1/CDEFG (standard)

**Operating Temp Range:**

-40 to 93°C (-40 to 200°F)

**Compensated Temp Range:**

17 to 71°C (60 to 160°F)

**Thermal Effects:**

Zero: 0.002% FSO/°C

Span: 0.002% rdg/°C

**Safe Overload:** 150% of capacity

**Ultimate Overload:** 300% of capacity

**Bridge Resistance:** 350 ± 5 Ω

**Full Scale Deflection:** 0.25 to 0.50 mm (0.010 to 0.020")

**Construction:** Aluminum

**Electrical (4-Conductor Shielded Cable):**

≤200 lb: 9.1 m (30') 24 AWG

≥250 lb: 9.1 m (30') 20 AWG

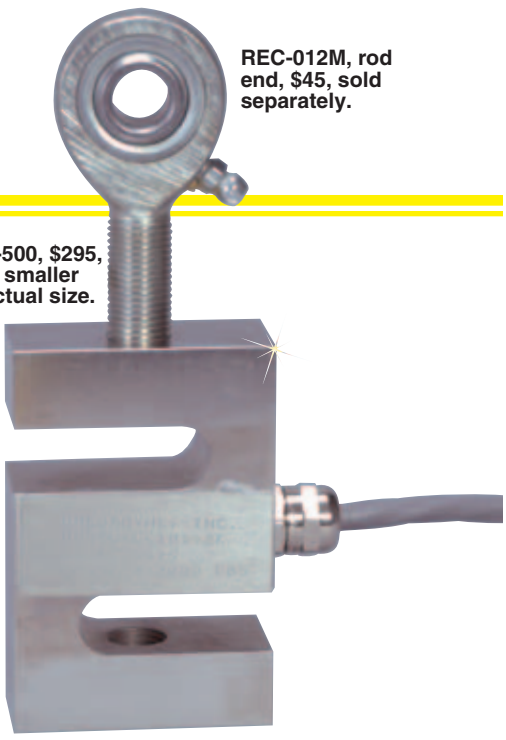
**LC115 Mating Connector:**

PT06F10-6S, \$26.50 (not included)

**Protection Class:** IP65

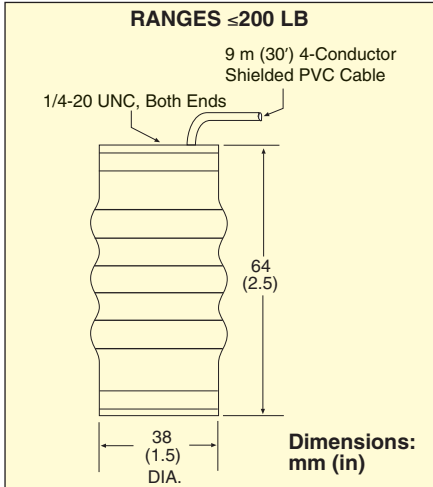
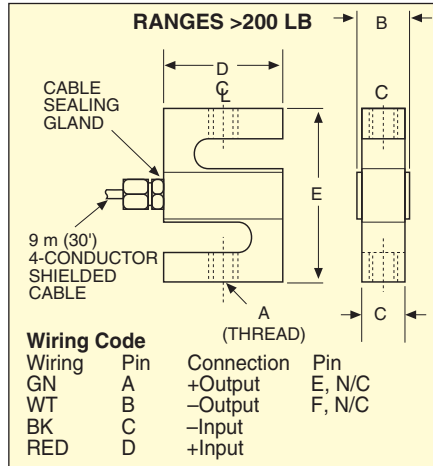


LC105-25, \$295, shown smaller than actual size.



LC105-500, \$295, shown smaller than actual size.

REC-012M, rod end, \$45, sold separately.



Dimensions: mm (in)

CAPACITY (lb)	A	B	C	D	E	WEIGHT kg (lb)
250 to 1000	1/2-20	32 (1.25)	25 (1.0)	51 (2.0)	76 (3.0)	0.5 (1.1)

**MOST POPULAR MODELS HIGHLIGHTED!**

### To Order (Specify Model Number)

CAPACITY lb	kg	CABLE MODEL NO.	PRICE	COMPATIBLE METERS*	LOAD BUTTON		ROD END	
					MODEL NO.	PRICE	MODEL NO.	PRICE
25	11	LC105-25	\$295	DPiS, DP41-S, DP25B-S	—	—	—	—
50	23	LC105-50	295	DPiS, DP41-S, DP25B-S	—	—	—	—
100	45	LC105-100	295	DPiS, DP41-S, DP25B-S	—	—	—	—
200	91	LC105-200	295	DPiS, DP41-S, DP25B-S	—	—	—	—
250	114	LC105-250	295	DPiS, DP41-S, DP25B-S	LBC-012	\$40	REC-012M	\$45
500	227	LC105-500	295	DPiS, DP41-S, DP25B-S	LBC-012	40	REC-012M	45
1000	455	LC105-1K	295	DPiS, DP41-S, DP25B-S	LBC-012	40	REC-012M	45

Comes with 5-point NIST-traceable calibration.

\* See section D for compatible meters. DPiS meter suitable for one direction measurement only.

Connector style available from 250 lb and up; specify model LC115-(capacity). No extra charge.

**Ordering Examples:** LC105-200, ±200 lb capacity load cell, \$295. LC115-1K, ±1000 lb capacity connector-style load cell, \$295. REC-012M, matching rod end, \$45 ea. PT06F10-6S, mating connector (sold separately), \$26.50 ea.

Recommended Reference Book:  
Strength of Materials and Structures,  
**ME-1758, \$95**  
See Section Y  
For Additional Books

# omega.co.uk<sup>®</sup>

Your One-Stop Source for Process Measurement and Control!

Freephone 0800 488 488 | International +44(0) 161 777 6622 | Fax +44(0) 161 777 6622 | Sales@omega.co.uk

[www.omega.co.uk](http://www.omega.co.uk)



#### UNITED STATES

[www.omega.com](http://www.omega.com)

1-800-TC-OMEGA  
Stamford, CT.

#### CANADA

[www.omega.ca](http://www.omega.ca)

Laval(Quebec)  
1-800-TC-OMEGA

#### GERMANY

[www.omega.de](http://www.omega.de)

Deckenfronn, Germany  
0800-8266342

#### UNITED KINGDOM

[www.omega.co.uk](http://www.omega.co.uk)

Manchester, England  
0800-488-488  
+44-(0)161-777-6611

#### FRANCE

[www.omega.fr](http://www.omega.fr)

0800-466-342

#### BENELUX

[www.omega.nl](http://www.omega.nl)

0800-099-33-44



## More than 100,000 Products Available!

### • Temperature

Calibrators, Connectors, General Test and Measurement Instruments, Handheld Instruments for Temperature Measurement, Ice Point References, Indicating Labels, Crayons, Cements and Lacquers, Infrared Temperature Measurement Instruments, Recorders, Relative Humidity Measurement Instruments, PT100 Probes, PT100 Elements, Temperature & Process Meters, Timers and Counters, Temperature and Process Controllers and Power Switching Devices, Thermistor Elements, Probes and Assemblies, Thermocouples, Thermowells and Head and Well Assemblies, Transmitters, Thermocouple Wire, RTD Probes

### • Flow and Level

Air Velocity Indicators, Doppler Flowmeters, Level Measurement, Magnetic Flowmeters, Mass Flowmeters, Pitot Tubes, Pumps, Rotameters, Turbine and Paddle Wheel Flowmeters, Ultrasonic Flowmeters, Valves, Variable Area Flowmeters, Vortex Shedding Flowmeters

### • pH and Conductivity

Conductivity Instrumentation, Dissolved Oxygen Instrumentation, Environmental Instrumentation, pH Electrodes and Instruments, Water and Soil Analysis Instrumentation

### • Data Acquisition

Communication Products and Converters, Data Acquisition and Analysis Software, Data Loggers Plug-in Cards, Signal Conditioners, USB, RS232, RS485, Ethernet and Parallel Port Data Acquisition Systems, Wireless Transmitters and Receivers

### • Pressure, Strain and Force

Displacement Transducers, Dynamic Measurement Force Sensors, Instrumentation for Pressure and Strain Measurements, Load Cells, Pressure Gauges, Pressure Reference Section, Pressure Switches, Pressure Transducers, Proximity Transducers, Regulators, Pressure Transmitters, Strain Gauges, Torque Transducers, Valves

### • Heaters

Band Heaters, Cartridge Heaters, Circulation Heaters, Comfort Heaters, Controllers, Meters and Switching Devices, Flexible Heaters, General Test and Measurement Instruments, Heater Hook-up Wire, Heating Cable Systems, Immersion Heaters, Process Air and Duct, Heaters, Radiant Heaters, Strip Heaters, Tubular Heaters