

# HIGH-ACCURACY, LOW-PROFILE COMPRESSION LOAD CELL FOR INDUSTRIAL WEIGHING APPLICATIONS

Models Available  
with Dual Bridge or  
Built-In Amplifiers!  
See Page F-33.

## LC401/LC411 Series

LC401 (Cable Style)  
LC411 (Connector Style)  
Compression  
0-50 lb to 0-400,000 lb  
0-23 kg to 0-181,488 kg

Starts at  
**\$595**



Mating connector required. See next page for details.

LC411-20K, connector style, \$975, shown actual size.

**MOST POPULAR MODELS HIGHLIGHTED!**



- ✓ FM Intrinsically Safe Rating Standard
- ✓ Dual-Bridge Models Available
- ✓ Models Available with Built-In 5 V Amplifiers
- ✓ All Stainless Steel for Harsh Industrial Applications
- ✓ 0.25% Interchangeability for Multiple Load Cell Applications
- ✓ 5-Point Calibration Provided

### SPECIFICATIONS

Excitation: 10 Vdc (15 Vdc max)

Output: 3 mV/V ±0.25%

5-Point Calibration: Calibrated at 0%, 50%, 100%, 50%, 0%. Note: Models >300,000 lb are calibrated to 300,000 lb. Full scale calibration above 300,000 lb within ±1% available.

#### Linearity:

>3000 lb: 0.10% FSO  
≤3000 lb: 0.13% FSO

#### Hysteresis:

>3000 lb: 0.10% FSO  
≤3000 lb: 0.12% FSO

Repeatability: 0.05% FSO

Zero Balance: ±1% FSO

### To Order (Specify Model Number)

CAPACITY		MODEL NO.		PRICE	COMPATIBLE METERS**
lb	kg	CABLE	CONNECTOR		
50	23	LC401-50	LC411-50	\$595	DP41-B, DP41-S, DP25B-S
100	45	LC401-100	LC411-100	595	DP41-B, DP41-S, DP25B-S
250	114	LC401-250	LC411-250	595	DP41-B, DP41-S, DP25B-S
500	227	LC401-500	LC411-500	595	DP41-B, DP41-S, DP25B-S
1000	455	LC401-1K	LC411-1K	595	DP41-B, DP41-S, DP25B-S
1500	682	LC401-1.5K	LC411-1.5K	635	DP41-B, DP41-S, DP25B-S
2000	909	LC401-2K	LC411-2K	635	DP41-B, DP41-S, DP25B-S
3000	1361	LC401-3K	LC411-3K	635	DP41-B, DP41-S, DP25B-S
5000	2269	LC401-5K	LC411-5K	635	DP41-B, DP41-S, DP25B-S
10,000	4537	LC401-10K	LC411-10K	790	DP41-B, DP41-S, DP25B-S
15,000	6806	LC401-15K	LC411-15K	790	DP41-B, DP41-S, DP25B-S*
20,000	9074	LC401-20K	LC411-20K	975	DP41-B, DP41-S, DP25B-S*
25,000	11,343	LC401-25K	LC411-25K	975	DP41-B, DP41-S, DP25B-S*
50,000	22,686	LC401-50K	LC411-50K	†	DP41-B, DP41-S, DP25B-S*
75,000	34,029	LC401-75K	LC411-75K	†	DP41-B, DP41-S, DP25B-S*
100,000	45,372	LC401-100K	LC411-100K	†	DP41-B, DP41-S, DP25B-S*
200,000	90,744	LC401-200K	LC411-200K	†	DP41-B, DP41-S, DP25B-S*
300,000	136,116	LC401-300K	LC411-300K	†	DP41-B, DP41-S, DP25B-S*
400,000	181,488	LC401-400K	LC411-400K	†	DP41-B, DP41-S, DP25B-S*

Comes with 5-point NIST-traceable calibration.

\* 4-digit meter. \*\* See section D for compatible meters. † Special quote.

To order dual-bridge models, add suffix “-DUAL” to model number; for ≤5000 lb add \$250; for >5000 lb add \$350. To order optional 0 to 5 V output, add suffix “-5V” to model number and \$175 to price.

Note: Models >300,000 lb are calibrated at 300,000 lb. Full scale calibration above 300,000 lb within ±1% available. Add suffix “-FS” to the model number; consult Sales for price and availability.

Ordering Examples: LC401-1K, 1000 lb capacity cable-style load cell, \$595. LC411-10K-DUAL, 10,000 lb capacity connector-style load cell with dual-bridge option, \$790 + 350 = \$1140. PT06F10-6S, mating connector (2 required on dual models), not included, \$26.50 ea.

### ACCESSORY

MODEL NO.	PRICE	DESCRIPTION
OP-17	\$15	Reference Book: Measure for Measure



# LC401/LC411 LOW-PROFILE COMPRESSION LOAD CELLS FOR INDUSTRIAL WEIGHING APPLICATIONS

## Agency Approval:

FM Intrinsically Safe  
IS/I.II.III/1/CDEFG (standard)

## Operating Temp Range:

-54 to 107°C (-65 to 225°F)

## Compensated Temp Range:

16 to 71°C (60 to 160°F)

## Thermal Effects:

Zero: 0.0045% FSO/°C

Span: 0.006% FSO/°C

**Safe Overload:** 150% FS capacity

**Ultimate Overload:** 300% FS capacity

**Bridge Resistance:** 350 ± 5 Ω

**FS Deflection:** 0.001 to 0.003" typical

**Construction:** 17-4 PH stainless steel

## Electrical Connection:

**LC401:** 4.8 m (15') 4-conductor shielded PVC cable

**LC411:** PTIH-10-6P twist-lock connector (or equivalent)

**Mating Connector:** PT06F-10-6S

(not included) \$26.50

**Protection Class:** IP65



## POPULAR OPTIONS

**0 to 5 Vdc Output:** “-5V” **Price \$175**

(ranges ≥ 15K lb)

**Overload Stops:** “-OL” Consult Factory

**Dual Bridge:** “-DUAL” **250**

≤5000 lb

>5000 lb “-DUAL” **350**

## Extended Temperature Range:

-45 to 93°C

(-50 to 200°F)

“-TC1” **50**

-45 to 177°C

(-50 to 350°F)

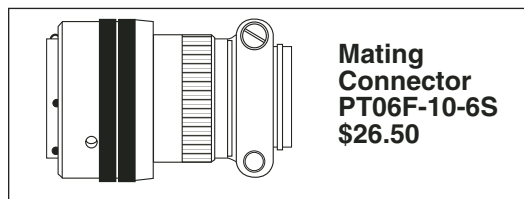
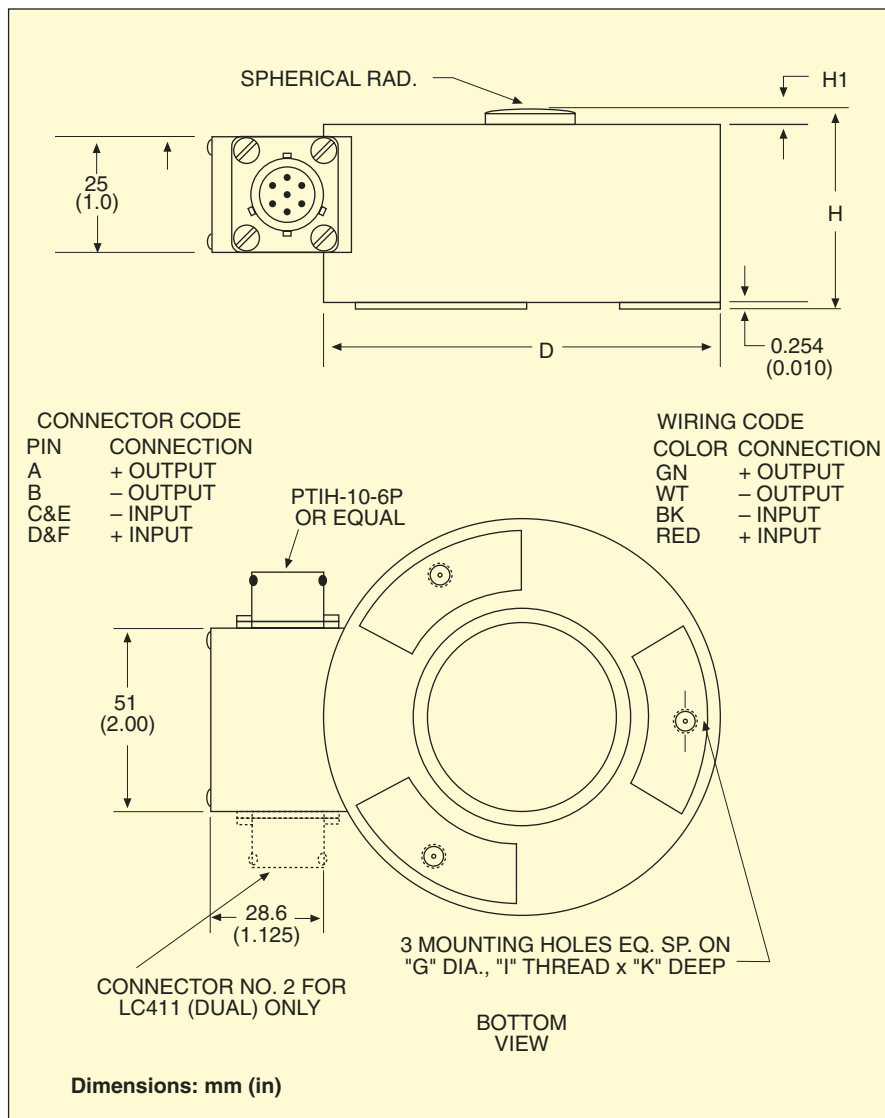
“-TC2” **225**

**Watertight Cable Exit:** “-WTC” **125**

**Additional Cable Length:** **2.00/ft**

Dimensions: mm (in)

CAPACITY		D	H	H1	K	G	I
lb	kg						
50 to 10,000	23 to 4537	66 (2.62)	32 (1.25)	2.3 (0.09)	6.4 (0.25)	56 (2.188)	6-40 UNF-2
15,000 to 25,000	6806 to 11,343	83 (3.25)	41 (1.62)	2.3 (0.09)	6.4 (0.25)	69 (2.719)	10-32 UNF-2
50,000 to 75,000	22,686 to 34,029	127 (5.00)	64 (2.50)	3.0 (0.12)	6.4 (0.25)	105 (4.125)	3/16-24 UNF-2
100,000	45,372	152 (6.00)	89 (3.50)	3.8 (0.15)	9.4 (0.37)	124 (4.875)	7/16-20 UNF-2
200,000	90,744	203 (8.00)	121 (4.75)	4.6 (0.18)	13 (0.50)	164 (6.438)	5/8-18 UNF-2
300,000	136,116	229 (9.00)	121 (4.75)	4.6 (0.18)	16 (0.63)	191 (7.500)	3/4-16 UNF-2
400,000	181,488	254 (10.00)	121 (4.75)	6.4 (0.25)	19 (0.75)	216 (8.500)	7/8-14 UNF-2



# omega.co.uk<sup>®</sup>

Your One-Stop Source for Process Measurement and Control!

Freephone 0800 488 488 | International +44(0) 161 777 6622 | Fax +44(0) 161 777 6622 | Sales@omega.co.uk

[www.omega.co.uk](http://www.omega.co.uk)



#### UNITED STATES

[www.omega.com](http://www.omega.com)

1-800-TC-OMEGA  
Stamford, CT.

#### UNITED KINGDOM

[www.omega.co.uk](http://www.omega.co.uk)

Manchester, England  
0800-488-488  
+44-(0)161-777-6611

#### CANADA

[www.omega.ca](http://www.omega.ca)

Laval(Quebec)  
1-800-TC-OMEGA

#### FRANCE

[www.omega.fr](http://www.omega.fr)

0800-466-342

#### GERMANY

[www.omega.de](http://www.omega.de)

Deckenfronn, Germany  
0800-8266342

#### BENELUX

[www.omega.nl](http://www.omega.nl)

0800-099-33-44



## More than 100,000 Products Available!

### • Temperature

Calibrators, Connectors, General Test and Measurement Instruments, Handheld Instruments for Temperature Measurement, Ice Point References, Indicating Labels, Crayons, Cements and Lacquers, Infrared Temperature Measurement Instruments, Recorders, Relative Humidity Measurement Instruments, PT100 Probes, PT100 Elements, Temperature & Process Meters, Timers and Counters, Temperature and Process Controllers and Power Switching Devices, Thermistor Elements, Probes and Assemblies, Thermocouples, Thermowells and Head and Well Assemblies, Transmitters, Thermocouple Wire, RTD Probes

### • Flow and Level

Air Velocity Indicators, Doppler Flowmeters, Level Measurement, Magnetic Flowmeters, Mass Flowmeters, Pitot Tubes, Pumps, Rotameters, Turbine and Paddle Wheel Flowmeters, Ultrasonic Flowmeters, Valves, Variable Area Flowmeters, Vortex Shedding Flowmeters

### • pH and Conductivity

Conductivity Instrumentation, Dissolved Oxygen Instrumentation, Environmental Instrumentation, pH Electrodes and Instruments, Water and Soil Analysis Instrumentation

### • Data Acquisition

Communication Products and Converters, Data Acquisition and Analysis Software, Data Loggers Plug-in Cards, Signal Conditioners, USB, RS232, RS485, Ethernet and Parallel Port Data Acquisition Systems, Wireless Transmitters and Receivers

### • Pressure, Strain and Force

Displacement Transducers, Dynamic Measurement Force Sensors, Instrumentation for Pressure and Strain Measurements, Load Cells, Pressure Gauges, Pressure Reference Section, Pressure Switches, Pressure Transducers, Proximity Transducers, Regulators, Pressure Transmitters, Strain Gauges, Torque Transducers, Valves

### • Heaters

Band Heaters, Cartridge Heaters, Circulation Heaters, Comfort Heaters, Controllers, Meters and Switching Devices, Flexible Heaters, General Test and Measurement Instruments, Heater Hook-up Wire, Heating Cable Systems, Immersion Heaters, Process Air and Duct, Heaters, Radiant Heaters, Strip Heaters, Tubular Heaters