

TALL THROUGH-HOLE LOAD CELLS

1.50 TO 3.00" DIAMETER

LC8000-TALL Series

Compression

0-3000 lb to 0-150,000 lb

0-1361 kg to 0-68,058 kg

1 Newton = 0.2248 lb

1 daNewton = 10 Newtons

1 lb = 454 g

1 t = 1000 kg = 2204 lb



LC8251-126-50K, \$690, shown actual size.

Starts at
\$625



- ✓ All Stainless Steel Construction
- ✓ Rugged Industrial Design

SPECIFICATIONS

Output: 2 mV/V nominal

Input: 10 Vdc (15 V max)

Linearity: ±0.5% FSO

Repeatability: ±0.1% FSO

Zero Balance: ±2.0% FSO

Operating Temp Range:

-54 to 121°C (-65 to 250°F)

Compensated Temp Range:

16 to 71°C (60 to 160°F)

Thermal Effects:

Zero: ±0.009% FSO/°C

Span: ±0.018% rdg/°C

Safe Overload: 150% of capacity

Ultimate Overload: 300% of capacity

Input Resistance: 360 Ω minimum

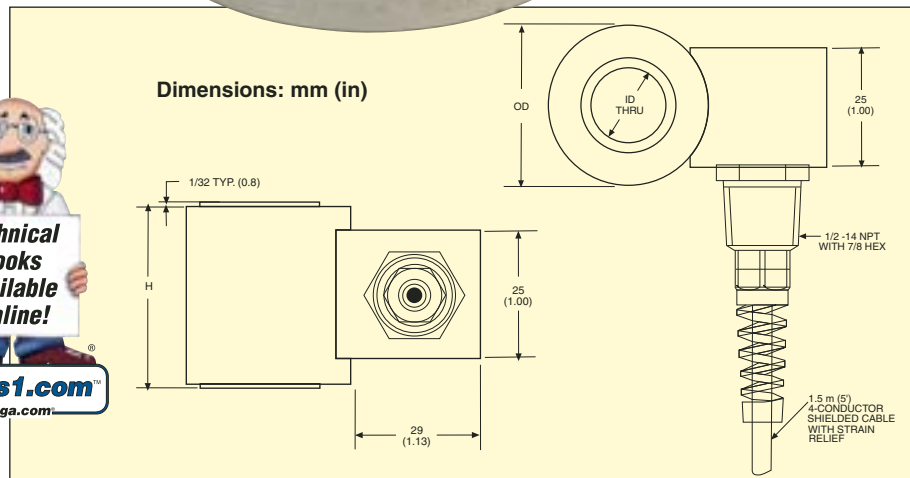
Output Resistance: 350 ±5 Ω

Full Scale Deflection: 0.08 mm

(0.003") nominal

Construction: 17-4 PH stainless steel

Electrical: 1.5 m (5') 4-conductor shielded cable



MOST POPULAR MODELS HIGHLIGHTED!

To Order (Specify Model Number)

CAPACITY		MODEL NO.	PRICE	ID	COMPATIBLE METERS**
3000 lb	1361 kg	LC8151-500-3K	\$625	0.50	DP41-S, DP25B-S, DPiS
5000 lb	2269 kg	LC8151-500-5K	625	0.50	DP41-S, DP25B-S, DPiS
10,000 lb	4537 kg	LC8151-500-10K	625	0.50	DP41-S, DP25B-S, DPiS
20,000 lb	9074 kg	LC8151-500-20K	625	0.50	DP41-S, DP25B-S, DPiS
10,000 lb	4537 kg	LC8151-750-10K	625	0.75	DP41-S, DP25B-S, DPiS
25,000 lb	11,343 kg	LC8151-750-25K	625	0.75	DP41-S, DP25B-S, DPiS*
50,000 lb	22,686 kg	LC8251-126-50K	690	1.26	DP41-S, DP25B-S, DPiS*
75,000 lb	34,029 kg	LC8251-126-75K	690	1.26	DP41-S, DP25B-S, DPiS*
100,000 lb	45,372 kg	LC8251-126-100K	690	1.26	DP41-S, DP25B-S, DPiS*
75,000 lb	34,029 kg	LC8301-126-75K	690	1.26	DP41-S, DP25B-S, DPiS*
100,000 lb	45,372 kg	LC8301-126-100K	690	1.26	DP41-S, DP25B-S, DPiS*
150,000 lb	68,058 kg	LC8302-151-150K	950	1.51	DP41-S, DP25B-S, DPiS*

Comes with 5-point NIST-traceable calibration.

* 4-digit meter. ** See section D for compatible meters.

Ordering Examples: LC8151-500-3K, 3000 lb capacity load cell, 1.50" Dia. and 0.50" ID, \$625. LC8251-126-75K, 75,000 lb capacity load cell, 2.50" Dia. and 1.26" ID, \$690. LC8302-151-150K, 150,000 lb capacity load cell, 3.00" Dia. and 1.51" ID, \$950.

ACCESSORY

MODEL NO.	PRICE	DESCRIPTION
OP-17	\$15	Reference Book: Measure for Measure

Dimensions: mm (in)

MODEL	OD	H
LC8151	38 (1.50)	38 (1.50)
LC8251	64 (2.50)	64 (2.50)
LC8301	76 (3.00)	51 (2.00)
LC8302	76 (3.00)	76 (3.00)

WIRE	CONNECTION
GN	+Output
WT	-Output
BK	-Input
RD	+Input



omega.co.uk[®]

Your One-Stop Source for Process Measurement and Control!

Freephone 0800 488 488 | International +44(0) 161 777 6622 | Fax +44(0) 161 777 6622 | Sales@omega.co.uk

www.omega.co.uk



UNITED STATES

www.omega.com

1-800-TC-OMEGA
Stamford, CT.

CANADA

www.omega.ca

Laval(Quebec)
1-800-TC-OMEGA

GERMANY

www.omega.de

Deckenfronn, Germany
0800-8266342

UNITED KINGDOM

www.omega.co.uk

Manchester, England
0800-488-488
+44-(0)161-777-6611

FRANCE

www.omega.fr

0800-466-342

BENELUX

www.omega.nl

0800-099-33-44



More than 100,000 Products Available!

• Temperature

Calibrators, Connectors, General Test and Measurement Instruments, Handheld Instruments for Temperature Measurement, Ice Point References, Indicating Labels, Crayons, Cements and Lacquers, Infrared Temperature Measurement Instruments, Recorders, Relative Humidity Measurement Instruments, PT100 Probes, PT100 Elements, Temperature & Process Meters, Timers and Counters, Temperature and Process Controllers and Power Switching Devices, Thermistor Elements, Probes and Assemblies, Thermocouples, Thermowells and Head and Well Assemblies, Transmitters, Thermocouple Wire, RTD Probes

• Flow and Level

Air Velocity Indicators, Doppler Flowmeters, Level Measurement, Magnetic Flowmeters, Mass Flowmeters, Pitot Tubes, Pumps, Rotameters, Turbine and Paddle Wheel Flowmeters, Ultrasonic Flowmeters, Valves, Variable Area Flowmeters, Vortex Shedding Flowmeters

• pH and Conductivity

Conductivity Instrumentation, Dissolved Oxygen Instrumentation, Environmental Instrumentation, pH Electrodes and Instruments, Water and Soil Analysis Instrumentation

• Data Acquisition

Communication Products and Converters, Data Acquisition and Analysis Software, Data Loggers Plug-in Cards, Signal Conditioners, USB, RS232, RS485, Ethernet and Parallel Port Data Acquisition Systems, Wireless Transmitters and Receivers

• Pressure, Strain and Force

Displacement Transducers, Dynamic Measurement Force Sensors, Instrumentation for Pressure and Strain Measurements, Load Cells, Pressure Gauges, Pressure Reference Section, Pressure Switches, Pressure Transducers, Proximity Transducers, Regulators, Pressure Transmitters, Strain Gauges, Torque Transducers, Valves

• Heaters

Band Heaters, Cartridge Heaters, Circulation Heaters, Comfort Heaters, Controllers, Meters and Switching Devices, Flexible Heaters, General Test and Measurement Instruments, Heater Hook-up Wire, Heating Cable Systems, Immersion Heaters, Process Air and Duct, Heaters, Radiant Heaters, Strip Heaters, Tubular Heaters