

VIBRATION-RESISTANT LIQUID-FILLED GAUGES

PGF Series
30 inHg to 10,000 psi

Starts at
\$50



Liquid-Filled
for Vibration
Resistance



PGF-25L-5000 lower fitting, \$55, shown smaller than actual size.

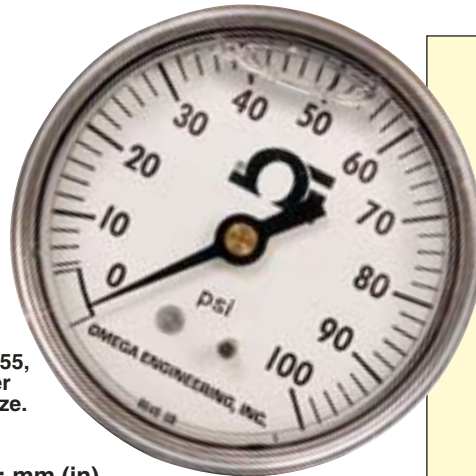


PGF-25B-100 back fitting, \$55, shown smaller than actual size.

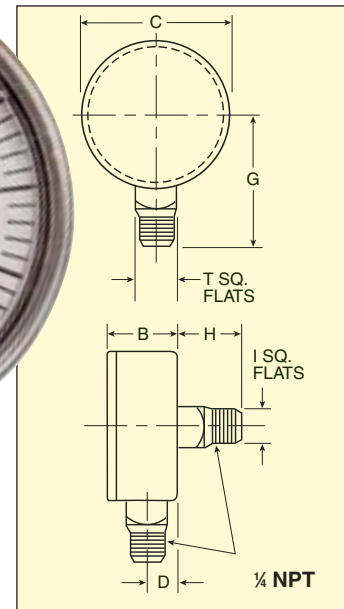
- ✓ Easy-to-Read 2½" Dial
- ✓ Superior Performance in Vibration, Pulsation, Shock Environments
- ✓ Leakproof O-Ring Seal
- ✓ Lower and Back Mounts

SPECIFICATIONS

Case: Stainless steel
Wetted Parts: Brass/bronze
Window: Polycarbonate with o-ring seal
Fill Fluid: Glycerine
Temperature: 66°C (150°F) max
Fitting: ¼ NPT brass
Accuracy: ±3-2-3%



PGF-25B-100 back fitting, \$55, shown smaller than actual size.



Dimensions: mm (in)

GAUGE	B	C	D	G	H	T
Back	29 (1.16)	68 (2.67)	N/A	N/A	22 (0.88)	14 (0.56)
Lower	29 (1.16)	68 (2.67)	12 (0.46)	56 (2.20)	N/A	14 (0.56)

Range Table

MOST POPULAR RANGES HIGHLIGHTED!

CODE psi	FIGURE INTERVAL	MINOR TICKS
15	1	0.5
30	5	0.5
60	5	1
100	10	1
200	20	5
300	30	5
400	50	10
600	50	10
1000	200	20
3000	500	100
5000	1000	100
10,000	1000	200

VACUUM

30V inHg	5 inches	0.5 inches
----------	----------	------------

To Order (Specify Model Number)

DIAL DIA.	MODEL NO.	CONNECTION	PRICE		
			VAC to 600 psi	1000 to 5000 psi	10,000 psi
2½"	PGF-25B-[*]	Back	\$55	\$60	\$79
2½"	PGF-25L-[*]	Lower	50	55	75

[*] Insert range from Range Table.

Ordering Examples: PGF-25B-100, back-mount gauge with a pressure range to 100 psi, \$55. PGF-25L-3000, lower-mount gauge with pressure range of 0 to 3000 psi, \$55.

ACCESSORY

MODEL NO.	PRICE	DESCRIPTION
ES-2213	\$250	Reference Book: Industrial Ventilation Design Guidebook



omega.co.uk[®]

Your One-Stop Source for Process Measurement and Control!

Freephone 0800 488 488 | International +44(0) 161 777 6622 | Fax +44(0) 161 777 6622 | Sales@omega.co.uk

www.omega.co.uk



UNITED STATES

www.omega.com

1-800-TC-OMEGA
Stamford, CT.

CANADA

www.omega.ca

Laval(Quebec)
1-800-TC-OMEGA

GERMANY

www.omega.de

Deckenfronn, Germany
0800-8266342

UNITED KINGDOM

www.omega.co.uk

Manchester, England
0800-488-488
+44-(0)161-777-6611

FRANCE

www.omega.fr

0800-466-342

BENELUX

www.omega.nl

0800-099-33-44



More than 100,000 Products Available!

• Temperature

Calibrators, Connectors, General Test and Measurement Instruments, Handheld Instruments for Temperature Measurement, Ice Point References, Indicating Labels, Crayons, Cements and Lacquers, Infrared Temperature Measurement Instruments, Recorders, Relative Humidity Measurement Instruments, PT100 Probes, PT100 Elements, Temperature & Process Meters, Timers and Counters, Temperature and Process Controllers and Power Switching Devices, Thermistor Elements, Probes and Assemblies, Thermocouples, Thermowells and Head and Well Assemblies, Transmitters, Thermocouple Wire, RTD Probes

• Flow and Level

Air Velocity Indicators, Doppler Flowmeters, Level Measurement, Magnetic Flowmeters, Mass Flowmeters, Pitot Tubes, Pumps, Rotameters, Turbine and Paddle Wheel Flowmeters, Ultrasonic Flowmeters, Valves, Variable Area Flowmeters, Vortex Shedding Flowmeters

• pH and Conductivity

Conductivity Instrumentation, Dissolved Oxygen Instrumentation, Environmental Instrumentation, pH Electrodes and Instruments, Water and Soil Analysis Instrumentation

• Data Acquisition

Communication Products and Converters, Data Acquisition and Analysis Software, Data Loggers Plug-in Cards, Signal Conditioners, USB, RS232, RS485, Ethernet and Parallel Port Data Acquisition Systems, Wireless Transmitters and Receivers

• Pressure, Strain and Force

Displacement Transducers, Dynamic Measurement Force Sensors, Instrumentation for Pressure and Strain Measurements, Load Cells, Pressure Gauges, Pressure Reference Section, Pressure Switches, Pressure Transducers, Proximity Transducers, Regulators, Pressure Transmitters, Strain Gauges, Torque Transducers, Valves

• Heaters

Band Heaters, Cartridge Heaters, Circulation Heaters, Comfort Heaters, Controllers, Meters and Switching Devices, Flexible Heaters, General Test and Measurement Instruments, Heater Hook-up Wire, Heating Cable Systems, Immersion Heaters, Process Air and Duct, Heaters, Radiant Heaters, Strip Heaters, Tubular Heaters