

# INDUSTRIAL PROCESS GAUGES

## TYPES H AND J, 4½ AND 6" DIALS

### PGH Series PGJ Series

Starts at  
**\$170**



PGH-45L-100, \$170, shown smaller than actual size, see dimensions on next page.

- ✓ 0.5% FS Accuracy
- ✓ PGH Gauge Ranges from 15 to 20,000 psi
- ✓ Double-Strength Shatter-Resistant Glass
- ✓ Heavy-Duty 316 SS Wetted Parts
- ✓ Easily Adjustable, Self-Locking Micrometer Dial
- ✓ PTFE-Coated SS Movement for Long-Lasting Accuracy
- ✓ Solid Front with Blowout Back
- ✓ Fully Temperature Compensated



PGJ-45B-100, \$235, shown smaller than actual size.

#### SPECIFICATIONS

Dial Arc: 270°

Case: Lower connection, black phenol; back connection, aluminum

Window: Double-strength glass

Bourdon Tube: 316 SS

Connection: ½ MNPT 316 SS

Mounting: Stem, flush or surface

Operating Temperature: 121°C (250°F) max

**MOST POPULAR MODELS HIGHLIGHTED!**

STANDARD psi RANGES			
RANGE CODE	RANGE	FIGURE INTERVAL	MINOR GRAD.
15	0/15	1	0.1
30	0/30	5	0.2
60	0/60	5	0.5
100	0/100	10	1
160	0/160	20	1
200	0/200	20	2
300	0/300	50	2
400	0/400	50	5
600	0/600	50	5
800	0/800	100	10
1000	0/1000	100	10
1500	0/1500	200	10
2000	0/2000	200	20
3000	0/3000	500	20
5000	0/5000	500	50
10,000	0/10000	1000	100
20,000	0/20000	2000	200

#### ACCESSORY

MODEL NO.	PRICE	DESCRIPTION
MS-1307	\$295	Reference Book: Piping Design Handbook

#### To Order (Specify Model Number)

DIAL DIA. (in)	MODEL NO.	CONNECTION	VACUUM TO 1000 psi	1500 THROUGH 10,000 psi	15,000 AND 20,000 psi
4½	PGH-45L-[*]	Lower	\$170	\$205	\$310
4½	PGH-45B-[*]	Back	170	205	310
FLUSH ALUMINUM CASE					
4½	PGJ-45B-[*]	Back	\$235	\$260	\$385
6	PGJ-60B-[*]	Back	340	370	495

\* Insert range code from table at right.

Ordering Example: PGJ-45B-100, 4½" 100 psi style PGJ gauge with a back connection, \$235.

For silicone fill option, add suffix "-F" to model number and add \$65 (available on PGH models only). For oxygen-service cleaning option, add suffix "-X6B" to model number and add \$65. Customized dial (5-piece minimum order per dial) requires \$125 setup fee.

# INDUSTRIAL PROCESS GAUGES

SPECIAL RANGES		FIGURE INTERVAL		MINOR GRADUATION	
COMPOUND		INCHES MERCURY		INCHES MERCURY	
RANGE CODE	RANGE	INCHES MERCURY	psi	INCHES MERCURY	psi
30V15	30 inHg/0/15 psi	5	3	0.5	0.2
30V30	30 inHg/0/30 psi	10	5	1	0.5
30V60	30 inHg/0/60 psi	10	10	1	1
30V100	30 inHg/0/100 psi	10	10	2	1
30V150	30 inHg/0/150 psi	10	20	5	2
30V300	30 inHg/0/300 psi	30	25	5	2

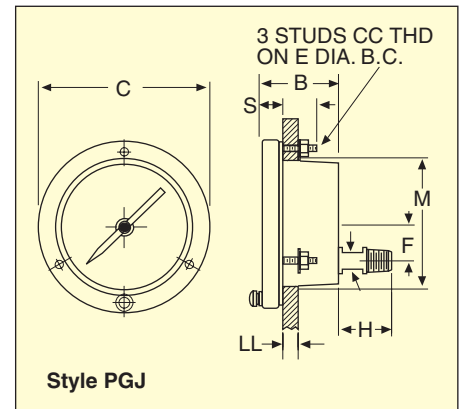
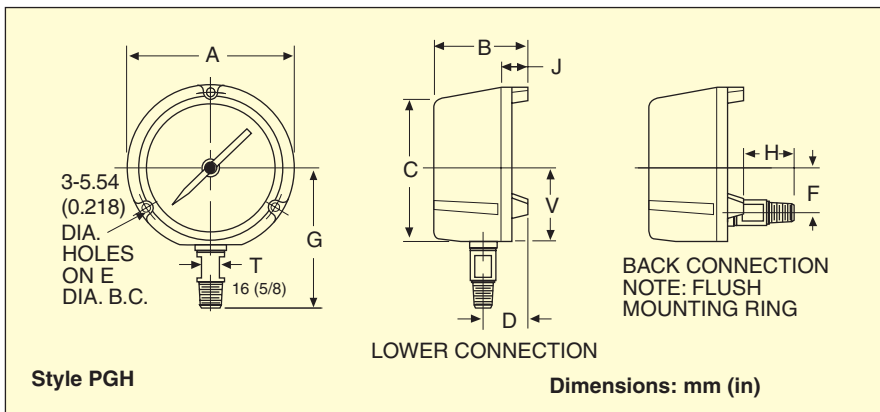
COMBINATION		FIGURE INTERVAL		MINOR GRADUATION		
RANGE CODE	RANGE		psi		FEET WATER	
	INNER SCALE psi	OUTER SCALE FT. WATER	psi	FEET WATER	psi	FEET WATER
15/34	0/15	0/34	3	5	0.5	0.5
30/70	0/30	0/70	5	10	0.5	1
60/140	0/60	0/140	5	20	0.5	5
100/230	0/100	0/230	10	20	1	2
160/370	0/160	0/370	20	50	2	5
200/480	0/200	0/480	20	50	5	5
300/690	0/300	0/690	25	100	5	10



PGJ-45B-100, \$235, shown smaller than actual size.



PGH-45L-100, \$170, shown smaller than actual size, see dimensions below.



Style PGH—Dimensions: mm (in)

DIAL SIZE (in)	A	B	C	D	E	F	G ½ NPT	H MAX	J	V	WT (lb)
4 1/2	148 (5 13/16)	86 (3 3/8)	129 (5 1/16)	41 (1 5/8)	137 (5 3/8)	41 (1 5/8)	103 (4 7/16)	29 (1 1/8)	24 (1 5/16)	67 (2 5/8)	

Style PGJ—Dimensions: mm (in)

VACUUM RANGES				Style PGJ—Dimensions: mm (in)										
RANGE CODE	RANGE	FIGURE INTERVAL	MINOR GRAD.	DIAL SIZE (in)	B	C	E	F	H MAX	M	S	CC	LL	WT kg (lb)
30V	30/0 In. Merc.	5 inches	0.2 inch	4 1/2	65 (2 5/16)	154 (6 1/16)	137 (5 3/8)	41 (1 5/8)	48 (1 7/8)	124 (4 7/8)	16 (5/8)	#10-24	3/13 (3/16)	1.2 (2 3/4)
34V	34/0 Ft. Water	5 feet	0.5 foot	6	65 (2 5/16)	192 (7 5/16)	178 (7)	54 (2 1/8)	48 (1 7/8)	165 (6 1/2)	16 (5/8)	¼-20	3/13 (3/16)	1.4 (3)

# omega.co.uk<sup>®</sup>

Your One-Stop Source for Process Measurement and Control!

Freephone 0800 488 488 | International +44(0) 161 777 6622 | Fax +44(0) 161 777 6622 | Sales@omega.co.uk

[www.omega.co.uk](http://www.omega.co.uk)



#### UNITED STATES

[www.omega.com](http://www.omega.com)

1-800-TC-OMEGA  
Stamford, CT.

#### UNITED KINGDOM

[www.omega.co.uk](http://www.omega.co.uk)

Manchester, England  
0800-488-488  
+44-(0)161-777-6611

#### CANADA

[www.omega.ca](http://www.omega.ca)

Laval(Quebec)  
1-800-TC-OMEGA

#### FRANCE

[www.omega.fr](http://www.omega.fr)

0800-466-342

#### GERMANY

[www.omega.de](http://www.omega.de)

Deckenfronn, Germany  
0800-8266342

#### BENELUX

[www.omega.nl](http://www.omega.nl)

0800-099-33-44



## More than 100,000 Products Available!

### • Temperature

Calibrators, Connectors, General Test and Measurement Instruments, Handheld Instruments for Temperature Measurement, Ice Point References, Indicating Labels, Crayons, Cements and Lacquers, Infrared Temperature Measurement Instruments, Recorders, Relative Humidity Measurement Instruments, PT100 Probes, PT100 Elements, Temperature & Process Meters, Timers and Counters, Temperature and Process Controllers and Power Switching Devices, Thermistor Elements, Probes and Assemblies, Thermocouples, Thermowells and Head and Well Assemblies, Transmitters, Thermocouple Wire, RTD Probes

### • Flow and Level

Air Velocity Indicators, Doppler Flowmeters, Level Measurement, Magnetic Flowmeters, Mass Flowmeters, Pitot Tubes, Pumps, Rotameters, Turbine and Paddle Wheel Flowmeters, Ultrasonic Flowmeters, Valves, Variable Area Flowmeters, Vortex Shedding Flowmeters

### • pH and Conductivity

Conductivity Instrumentation, Dissolved Oxygen Instrumentation, Environmental Instrumentation, pH Electrodes and Instruments, Water and Soil Analysis Instrumentation

### • Data Acquisition

Communication Products and Converters, Data Acquisition and Analysis Software, Data Loggers Plug-in Cards, Signal Conditioners, USB, RS232, RS485, Ethernet and Parallel Port Data Acquisition Systems, Wireless Transmitters and Receivers

### • Pressure, Strain and Force

Displacement Transducers, Dynamic Measurement Force Sensors, Instrumentation for Pressure and Strain Measurements, Load Cells, Pressure Gauges, Pressure Reference Section, Pressure Switches, Pressure Transducers, Proximity Transducers, Regulators, Pressure Transmitters, Strain Gauges, Torque Transducers, Valves

### • Heaters

Band Heaters, Cartridge Heaters, Circulation Heaters, Comfort Heaters, Controllers, Meters and Switching Devices, Flexible Heaters, General Test and Measurement Instruments, Heater Hook-up Wire, Heating Cable Systems, Immersion Heaters, Process Air and Duct, Heaters, Radiant Heaters, Strip Heaters, Tubular Heaters